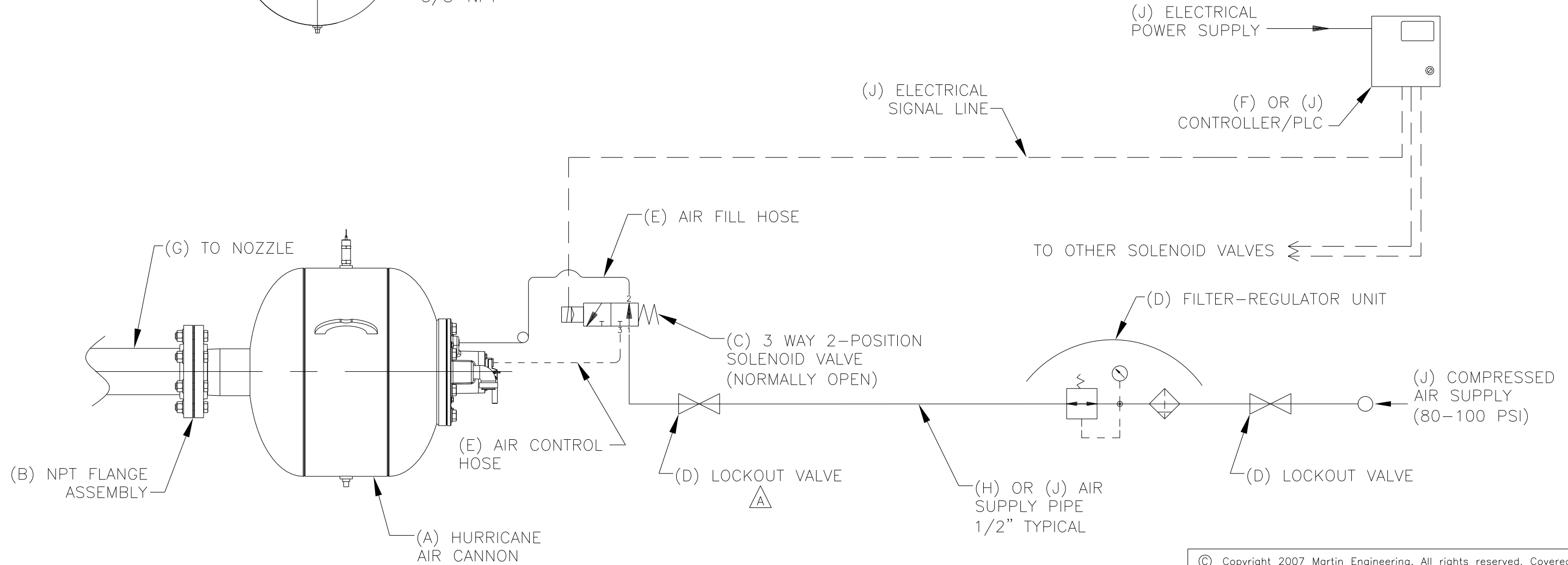


ISOMETRIC VIEW



ITEM	DESCRIPTION	PART NUMBER
A	HURRICANE AIR CANNON ASM 70 LITER	38005-70
B	BBAC SCREWED FLANGE ASM 4-NPT	25698
C	BBAC PLUMBING KIT 110V	37885-110
D	BBAC AIR FILL KIT 1/2-NPT	37890-XX
E	BBAC BRAIDED HOSE KIT 3/8-NPT	37892
F	AIR CANNON CONTROLLER	38901
G	SEE MARTIN ENGINEERING RECOMMENDATION	CONTACT MARTIN
H	BLACK PIPE 1/2 SCH 40	103008
J	EQUIPMENT BY OTHERS	BY OTHERS

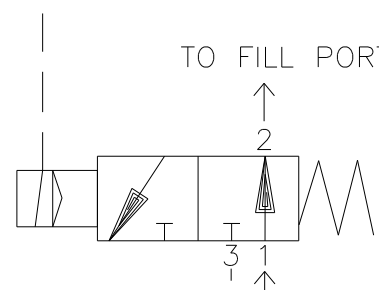


FROM PLC OR TIMER

TO FILL PORT

TO CONTROL PORT ← FROM COMPRESSOR

SOLENOID PLUMBING DETAIL



NO.	DESCRIPTION	ECN	DATE	BY
B	CHGD P/N FROM 36756 TO 38901 IN BOM	13145	03/22/12	MJB
A	MOVED LOCATION OF LOCKOUT VALVE	----	01/29/10	MJB
AutoCAD REVISION				

© Copyright 2007 Martin Engineering. All rights reserved. Covered by U.S. and foreign patents pending and issued. ® and TM indicate trademarks of Martin Engineering.



NEPONSET  
ILLINOIS  
USA

TITLE	SALES DRAWING	DRAWN RND
HURRICANE AIR CANNON PLUMBING ARRANGEMENT W/N.O. SOLENOID VALVE	MD0727	DATE 07/17/07
S50050-H-NO		CHECKED
		ENG. <i>MJB</i>
		DATE 07/23/07
		APPROVED <i>JFM</i>
		DATE 07/23/07
		SCALE NONE