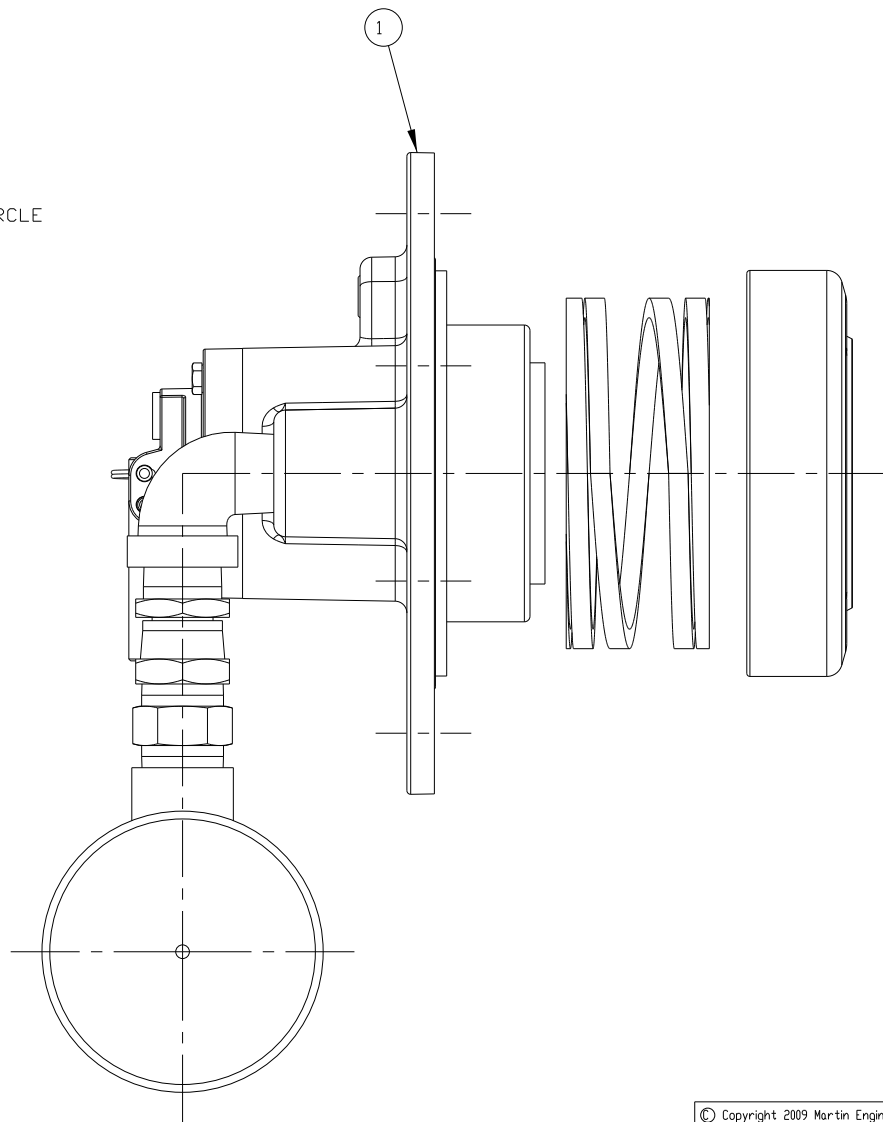
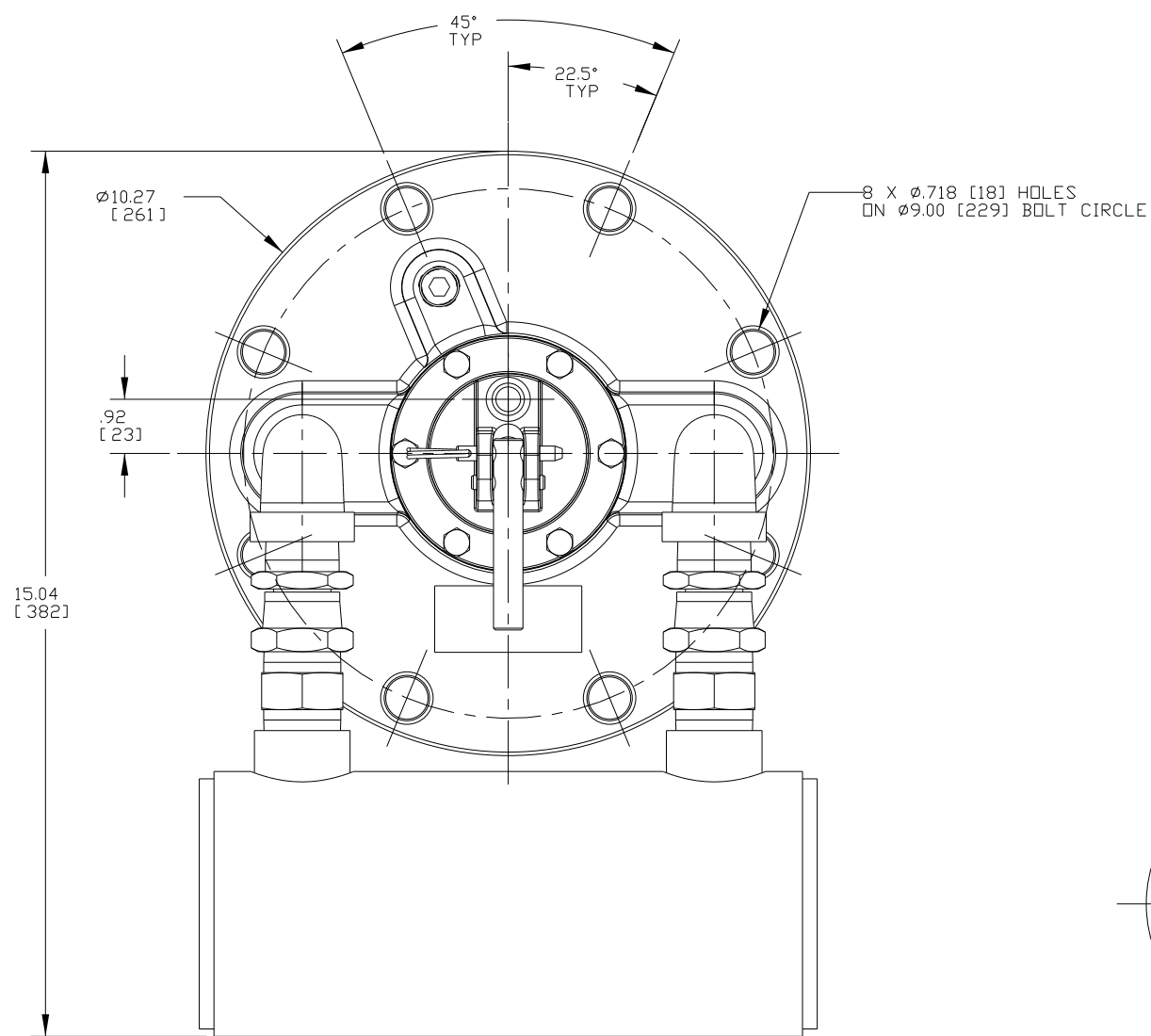
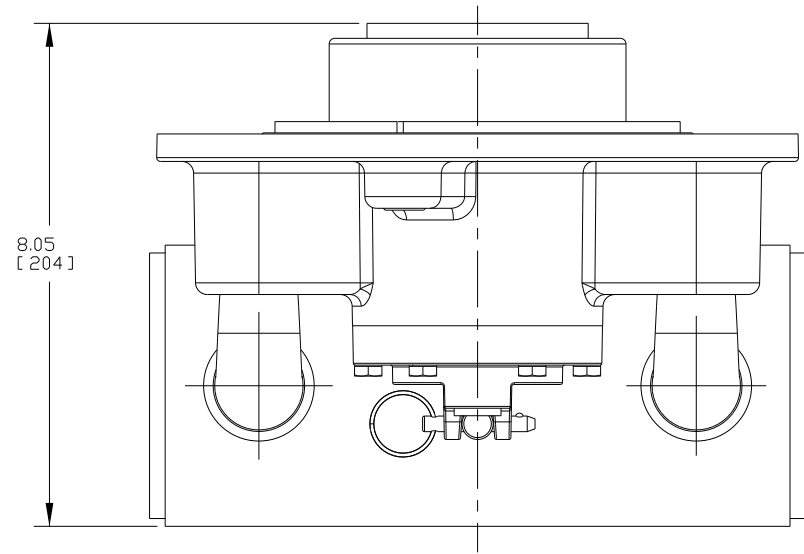


S50070

ITEM	QTY.	DESCRIPTION	PART NUMBER
1	1	TORNADO VALVE RETROFIT W/CANISTER	37733-C



- NOTES:
- 1) ALL DIMENSIONS ARE GIVEN IN INCHES [MM].
 - 2) ALL DIMENSIONS ARE FOR REFERENCE ONLY.
 - 3) WEIGHT: 21.2 LBS.

© Copyright 2009 Martin Engineering. All rights reserved. Covered by U.S. and Foreign patents pending and issued. R and TM indicate trademarks of Martin Engineering.

MARTIN ENGINEERING NEPONSET ILLINOIS USA

TITLE	4.00 TORNADO VALVE CAP RETROFIT ASM W/EXHAUST CANISTER	DRAWN RND
		DATE 11/30/09
		CHECKED
		ENG. JAP
		DATE 12/02/09

NO.	DESCRIPTION	ECN	DATE	BY
	REVISION			

SALES DRAWING		
MD0784	S50070	
APPROVED TJM		
DATE 12/02/09		
SCALE 1/2		