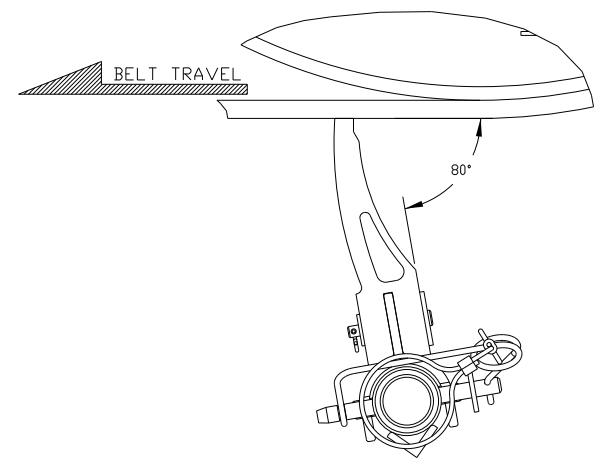
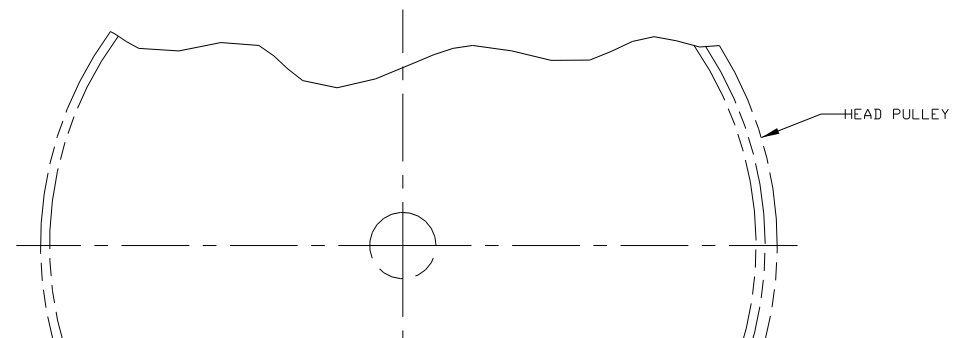


PART NO.	BELT WIDTH	DIM "A" BLADE WIDTH	DIM "B" FRAME LENGTH
SQC2-18T12X3XXX	18.00 [400-500]	12.00 [305]	48.94 [1243]
SQC2-18U12X3XXX	18.00 [400-500]	12.00 [305]	48.94 [1243]
SQC2-18T18X3XXX	18.00 [400-500]	18.00 [457]	48.94 [1243]
SQC2-18U18X3XXX	18.00 [400-500]	18.00 [457]	48.94 [1243]
SQC2-24T18X3XXX	24.00 [500-650]	18.00 [457]	54.85 [1393]
SQC2-24U18X3XXX	24.00 [500-650]	18.00 [457]	54.85 [1393]
SQC2-24T24X3XXX	24.00 [500-650]	24.00 [610]	54.85 [1393]
SQC2-24U24X3XXX	24.00 [500-650]	24.00 [610]	54.85 [1393]
SQC2-30T24X3XXX	30.00 [350-800]	24.00 [610]	60.75 [1543]
SQC2-30U24X3XXX	30.00 [350-800]	24.00 [610]	60.75 [1543]
SQC2-30T30X3XXX	30.00 [350-800]	30.00 [762]	60.75 [1543]
SQC2-30U30X3XXX	30.00 [350-800]	30.00 [762]	60.75 [1543]
SQC2-36T30X3XXX	36.00 [800-1000]	30.00 [762]	66.66 [1693]
SQC2-36U30X3XXX	36.00 [800-1000]	30.00 [762]	66.66 [1693]
SQC2-36T36X3XXX	36.00 [800-1000]	36.00 [914]	66.66 [1693]
SQC2-36U36X3XXX	36.00 [800-1000]	36.00 [914]	66.66 [1693]
SQC2-42T36X3XXX	42.00 [100-1200]	36.00 [914]	72.56 [1843]
SQC2-42U36X3XXX	42.00 [100-1200]	36.00 [914]	72.56 [1843]
SQC2-42T42X3XXX	42.00 [100-1200]	42.00 [1067]	72.56 [1843]
SQC2-42U42X3XXX	42.00 [100-1200]	42.00 [1067]	72.56 [1843]
SQC2-48T42X3XXX	48.00 [1200-1400]	42.00 [1067]	78.47 [1993]
SQC2-48U42X3XXX	48.00 [1200-1400]	42.00 [1067]	78.47 [1993]
SQC2-48T48X3XXX	48.00 [1200-1400]	48.00 [1219]	78.47 [1993]
SQC2-48U48X3XXX	48.00 [1200-1400]	48.00 [1219]	78.47 [1993]
SQC2-54T48X3XXX	54.00 [1400-1600]	48.00 [1219]	84.37 [2143]
SQC2-54U48X3XXX	54.00 [1400-1600]	48.00 [1219]	84.37 [2143]
SQC2-54T54X3XXX	54.00 [1400-1600]	54.00 [1372]	84.37 [2143]
SQC2-54U54X3XXX	54.00 [1400-1600]	54.00 [1372]	84.37 [2143]
SQC2-60T54X3XXX	60.00 [1600-1800]	54.00 [1372]	90.28 [2293]
SQC2-60U54X3XXX	60.00 [1600-1800]	54.00 [1372]	90.28 [2293]
SQC2-60T60X3XXX	60.00 [1600-1800]	60.00 [1524]	90.28 [2293]
SQC2-60U60X3XXX	60.00 [1600-1800]	60.00 [1524]	90.28 [2293]
SQC2-66T60X3XXX	66.00 [1600-1800]	60.00 [1524]	96.19 [2443]
SQC2-66U60X3XXX	66.00 [1600-1800]	60.00 [1524]	96.19 [2443]
SQC2-66T66X3XXX	66.00 [1600-1800]	66.00 [1676]	96.19 [2443]
SQC2-66U66X3XXX	66.00 [1600-1800]	66.00 [1676]	96.19 [2443]
SQC2-72T66X3XXX	72.00 [1800-1900]	66.00 [1676]	102.09 [2593]
SQC2-72U66X3XXX	72.00 [1800-1900]	66.00 [1676]	102.09 [2593]
SQC2-72T72X3XXX	72.00 [1800-1900]	72.00 [1829]	102.09 [2593]
SQC2-72U72X3XXX	72.00 [1800-1900]	72.00 [1829]	102.09 [2593]
SQC2-78T72X3XXX	78.00 [1900-2000]	72.00 [1829]	108.00 [2743]
SQC2-78U72X3XXX	78.00 [1900-2000]	72.00 [1829]	108.00 [2743]
SQC2-78T78X3XXX	78.00 [1900-2000]	78.00 [1981]	108.00 [2743]
SQC2-78U78X3XXX	78.00 [1900-2000]	78.00 [1981]	108.00 [2743]
SQC2-84T78X3XXX	84.00 [2000-2100]	78.00 [1981]	113.90 [2893]
SQC2-84U78X3XXX	84.00 [2000-2100]	78.00 [1981]	113.90 [2893]
SQC2-84T84X3XXX	84.00 [2000-2100]	84.00 [2134]	113.90 [2893]
SQC2-84U84X3XXX	84.00 [2000-2100]	84.00 [2134]	113.90 [2893]
SQC2-90T84X3XXX	90.00 [2100-2200]	84.00 [2134]	119.81 [3043]
SQC2-90U84X3XXX	90.00 [2100-2200]	84.00 [2134]	119.81 [3043]
SQC2-90T90X3XXX	90.00 [2100-2200]	90.00 [2286]	119.81 [3043]
SQC2-90U90X3XXX	90.00 [2100-2200]	90.00 [2286]	119.81 [3043]
SQC2-96T90X3XXX	96.00 [2200-2400]	90.00 [2286]	125.72 [3193]
SQC2-96U90X3XXX	96.00 [2200-2400]	90.00 [2286]	125.72 [3193]
SQC2-96T96X3XXX	96.00 [2200-2400]	96.00 [2438]	125.72 [3193]
SQC2-96U96X3XXX	96.00 [2200-2400]	96.00 [2438]	125.72 [3193]



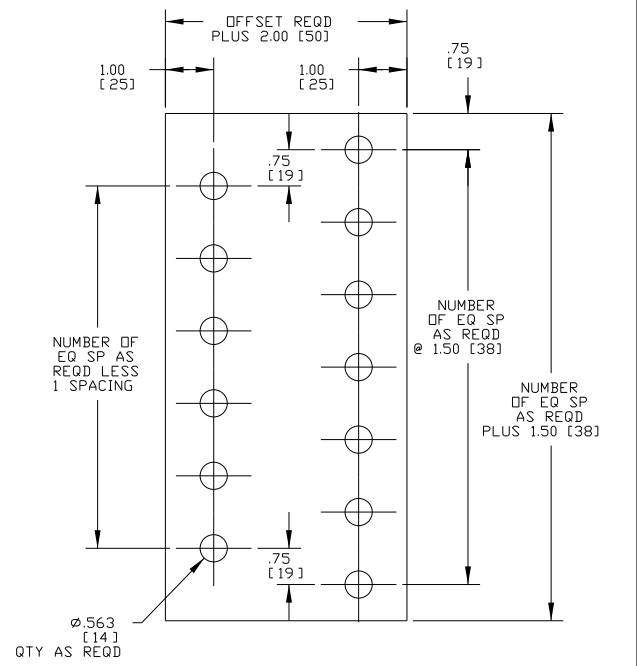
CLEANER INSTALLATION DETAIL
SCALE 3/8



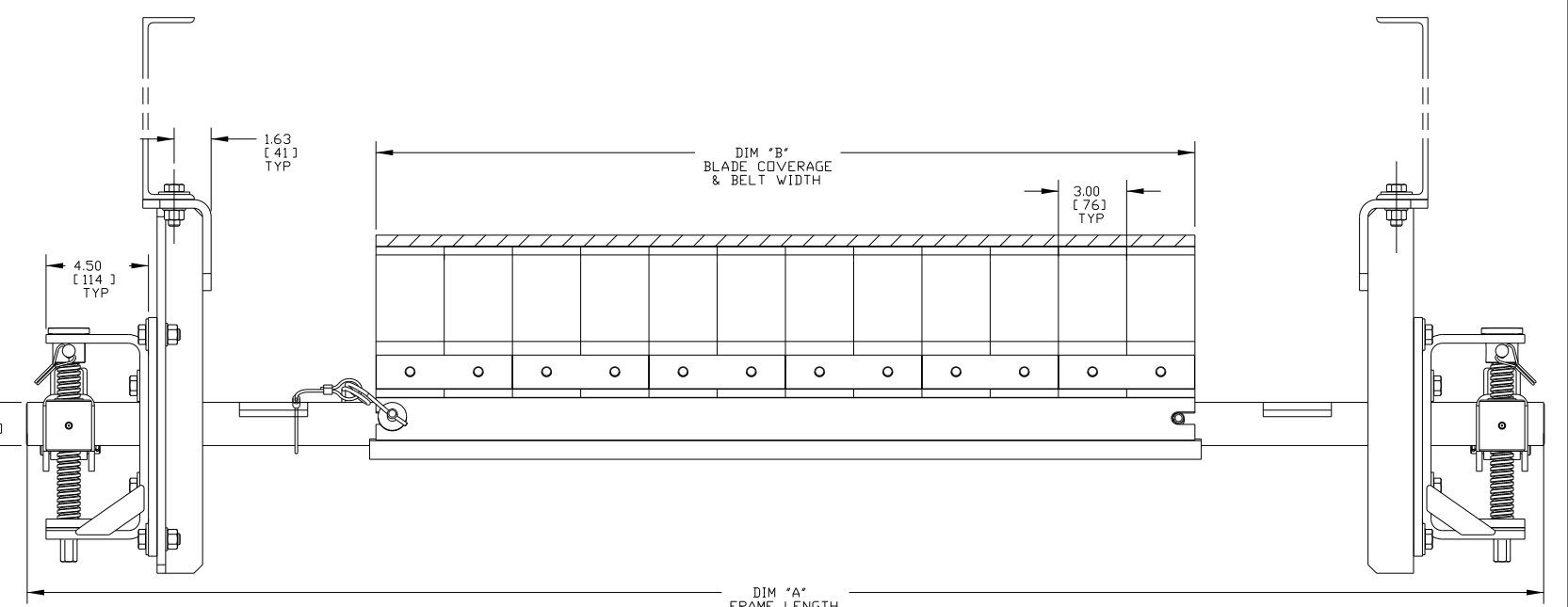
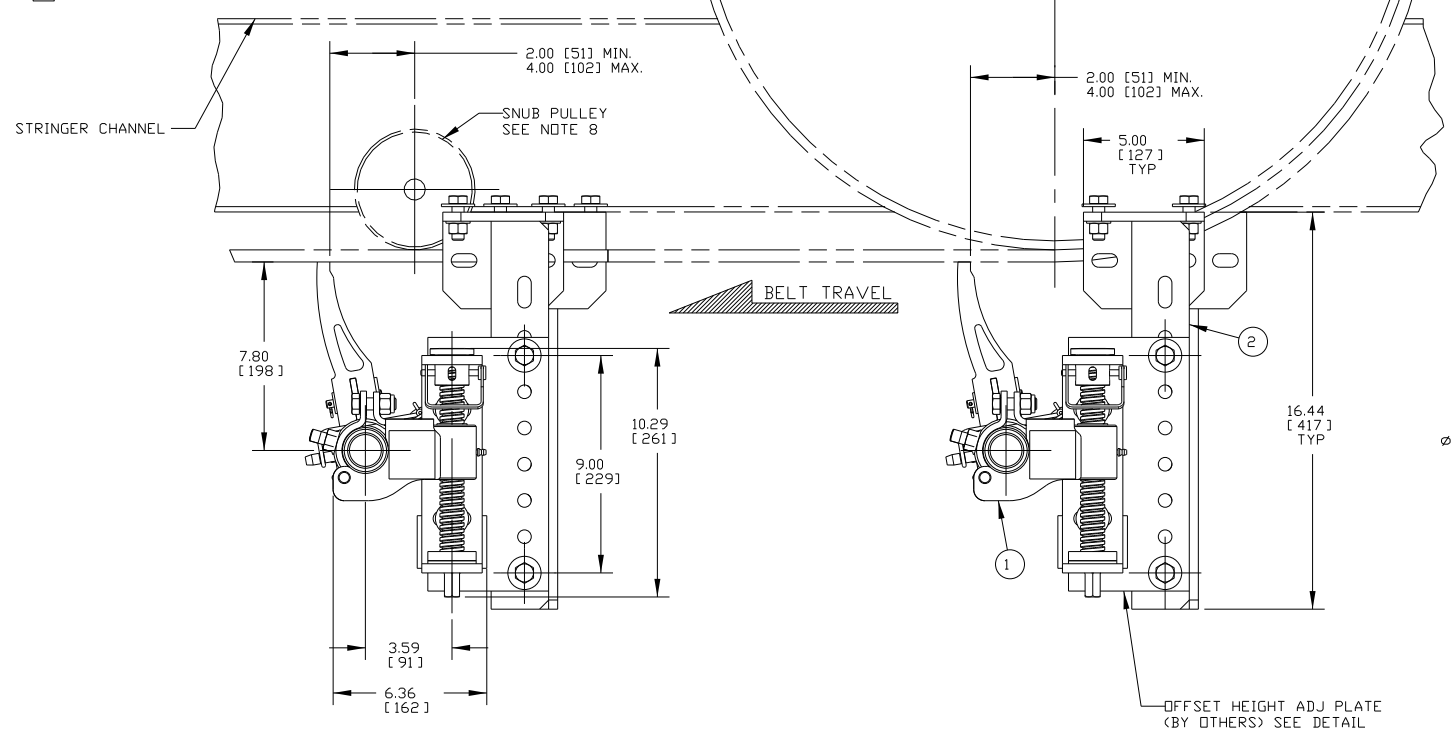
BLADE CHART		
PART NO.	BLADE COLOR	CLEANER DESCRIPTION
SQC2-XXTXXB3XXX	BROWN	WITH TC TIPPED BROWN URETHANE BLADES
SQC2-XXTXXG3XXX	GREEN	WITH TC TIPPED GREEN URETHANE BLADES
SQC2-XXTXXO3XXX	ORANGE	WITH TC TIPPED ORANGE URETHANE BLADES
SQC2-XXUXXB3XXX	BROWN	WITH BROWN ALL URETHANE BLADES
SQC2-XXUXXG3XXX	GREEN	WITH GREEN ALL URETHANE BLADES
SQC2-XXUXXO3XXX	ORANGE	WITH ORANGE ALL URETHANE BLADES

** NOTE: ON ASSEMBLIES WITH TC TIPPED BLADES, THE OUTER BLADE ON EACH END WILL BE ALL URETHANE. **

- NOTES:
- 1) ALL DIMENSIONS ARE GIVEN IN INCHES [MM].
 - 2) ALL DIMENSIONS ARE FOR REFERENCE ONLY.
 - 3) FOR EASE OF ACCESSIBILITY AND MAINTENANCE MARTIN ENGINEERING RECOMMENDS BOLTING CLEANER TO EXISTING STRUCTURE WHEN APPLICABLE.
 - 4) DUE TO STRUCTURAL TOLERANCES IN THE FIELD, DIMENSIONS AND LOCATIONS MAY VARY.
 - 5) WHERE EXTREME AND UNUSUAL CONDITIONS EXIST, OR SPECIAL MAINFRAME LENGTHS ARE REQUIRED, CONTACT MARTIN ENGINEERING.
 - 6) CUSTOMER MAY HAVE TO MODIFY STRUCTURE TO PROPERLY INSTALL CLEANER.
 - 7) REFER TO OPERATOR'S MANUAL (M3682) FOR ADDITIONAL AND OPTIONAL INSTALLATION INSTRUCTIONS.
 - 8) MARTIN ENGINEERING RECOMMENDS POSITIONING OF AN IDLER FOR PROPER BACKING SUPPORT OF THE BLADE IF NOT LOCATED ON THE HEAD PULLEY.
 - 9) MAINFRAME IS SUPPLIED LONGER THAN REQUIRED, FIELD CUT TO DESIRED LENGTH.
 - 10) AFTER INSTALLATION OF TENSIONER, EXCESS LENGTH OF THE HANGER MOUNT CAN BE CUT OFF.
 - 11) HANGER MOUNT MUST BE INSTALLED PERPENDICULAR TO THE BELT LINE.
 - 12) IN THE P/N THE FIRST TWO XX'S INDICATE THE BELT WIDTH: (18 THRU 96) THE NEXT X INDICATES THE BLADE TYPE: (T OR U - SEE BLADE CHART) THE NEXT TWO XX'S INDICATE THE BLADE CLEANING WIDTH: (18 THRU 96) THE NEXT X INDICATES THE MAINFRAME COLOR: (B3, G3 OR O3) THE NEXT X INDICATES THE MAINFRAME OPTIONS: (P = PAINTED MAINFRAME, S = STAINLESS STEEL MAINFRAME) THE NEXT X INDICATES IF A TENSIONER IS INCLUDED. THE LAST X INDICATES IF ADDITIONAL OPTIONS ARE INCLUDED.



OFFSET HEIGHT ADJ PLATE DETAIL
FLIP PLATE TO ACHIEVE .75 [19] ADJUSTMENT
(PART IS BY OTHERS)
SCALE 1/2



Copyright 2010 Martin Engineering. All rights reserved. Covered by U.S. and Foreign patents pending and issued. R and TM indicate trademarks of Martin Engineering.

MARTIN ENGINEERING NEPONSET ILLINOIS USA

TITLE: MARTIN SQC2™ WITH 3" SAF-2 STYLE BLADES & HANGER MNT BRKT'S

DRAWN: RND DATE: 04/02/08
CHECKED: MJB
DATE: 04/02/08
APPROVED: T.J.G. DATE: 04/02/08
SCALE: 1/1

SALES DRAWING

NO. DESCRIPTION ECN DATE BY

REVISION

M0633 S50056-H