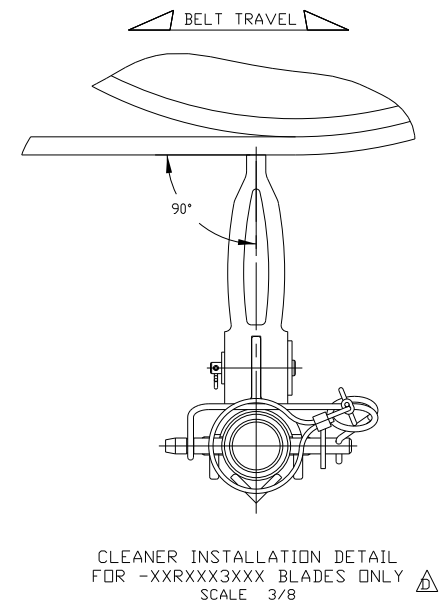
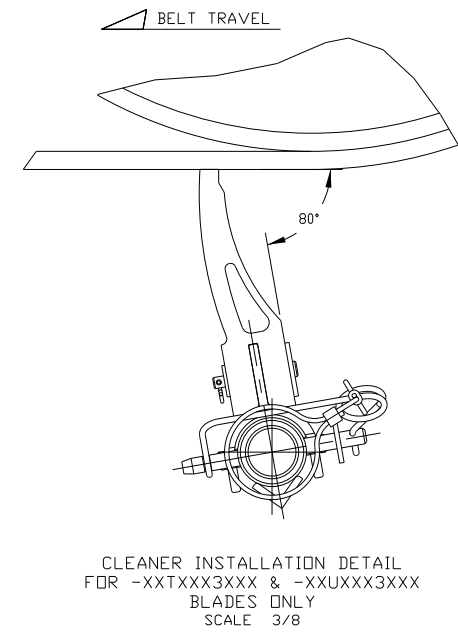
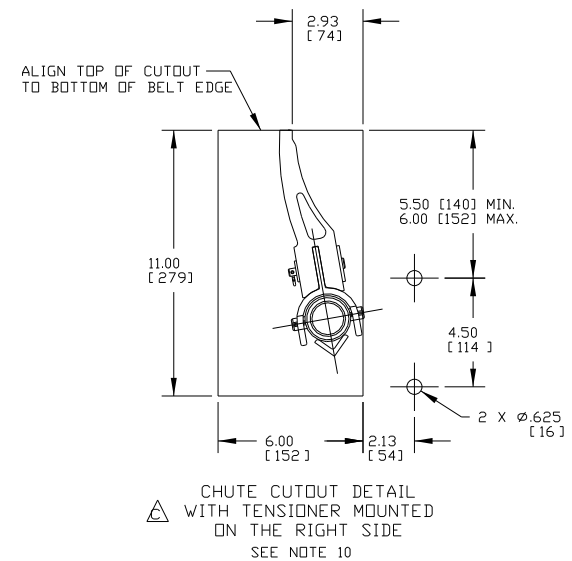
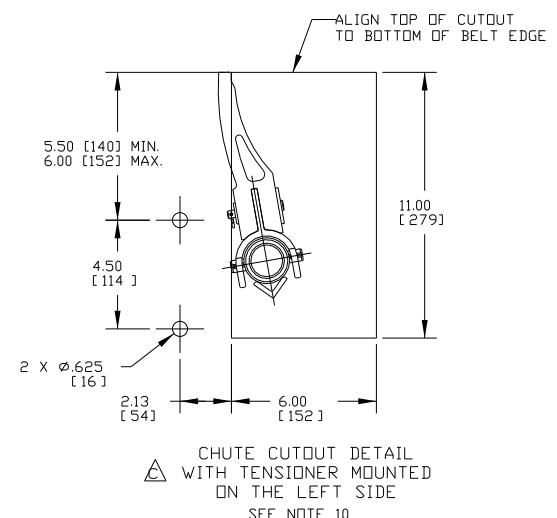


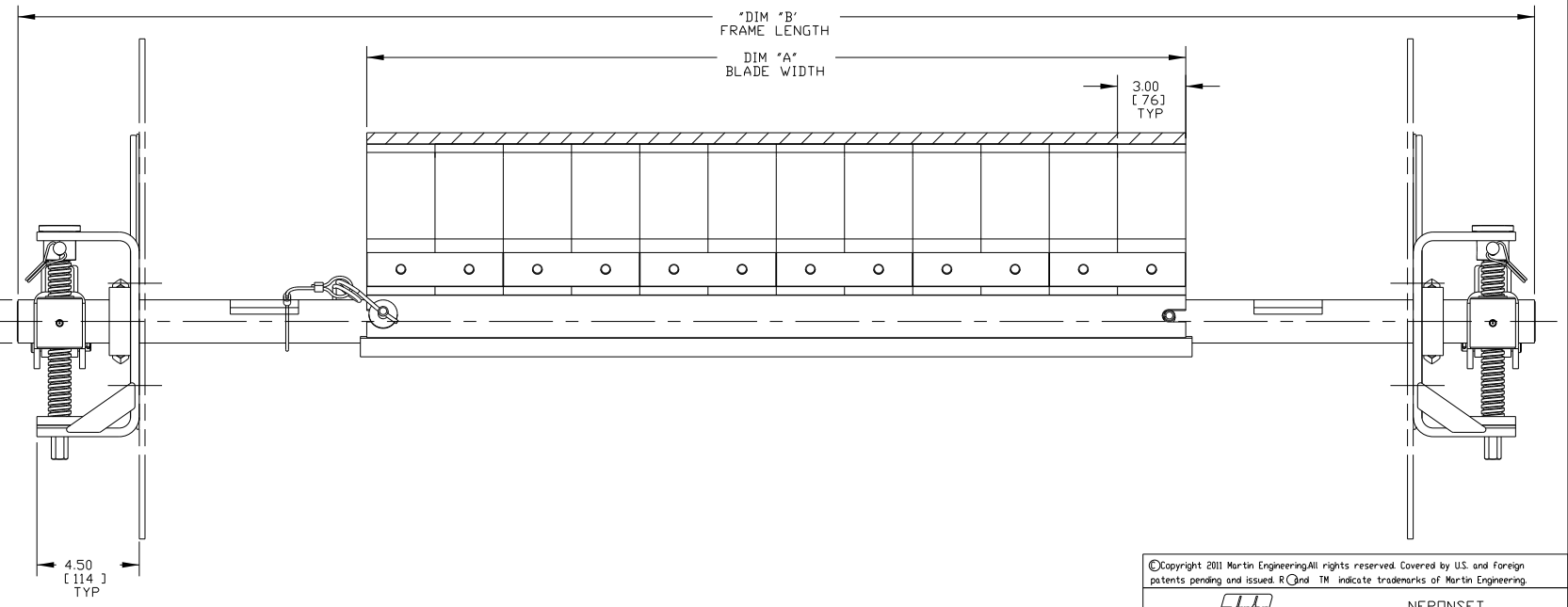
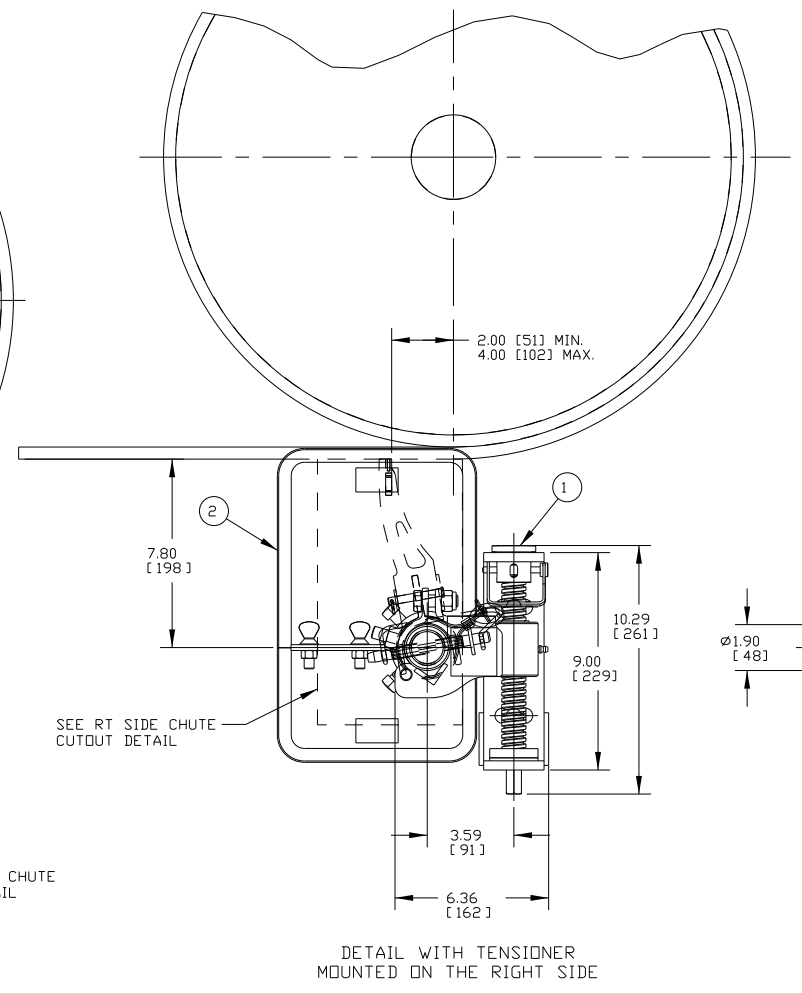
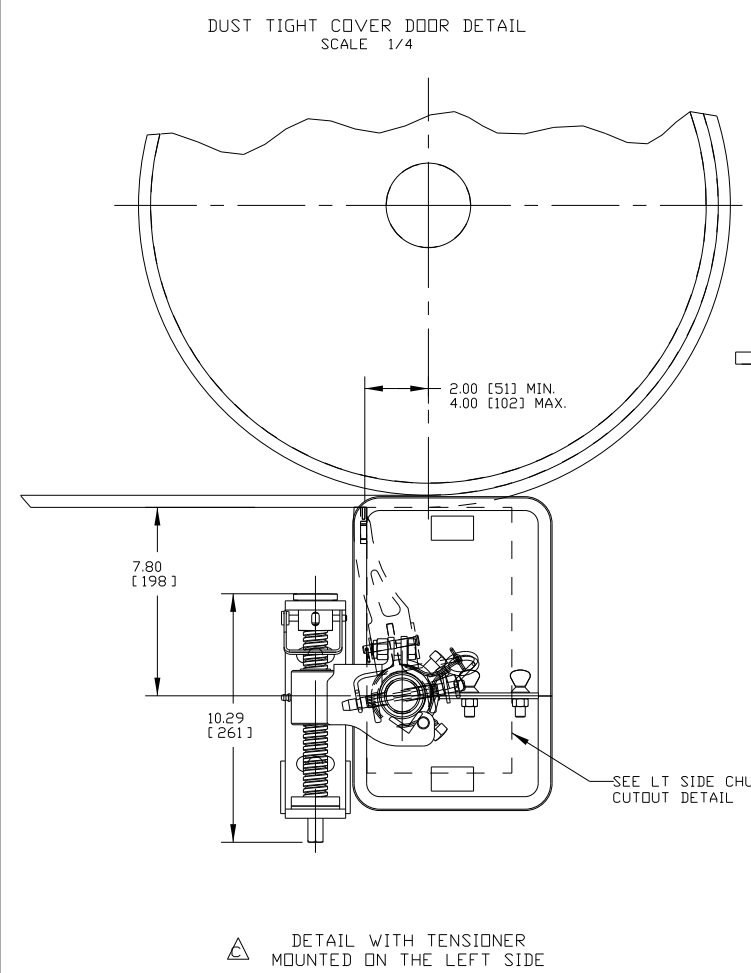
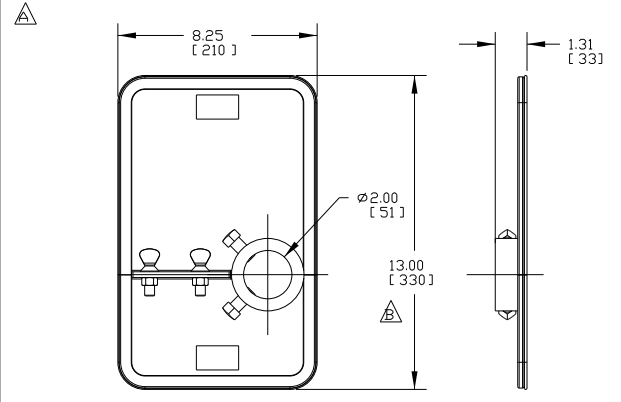
ITEM	QTY.	DESCRIPTION	PART NUMBER
1	1	SQC2™W//SAF-2 STYLE BLDs & TENS	SEE CHART
2	1	DUST TIGHT COVER DOOR ASM	38014-SQC

BLADE CHART		
PART NO.	BLADE COLOR	CLEANER DESCRIPTION
SQC2-18X12X3XXX	BROWN	WITH BROWN URETHANE REVERSING BLADES
SQC2-18X18X3XXX	GREEN	WITH GREEN URETHANE REVERSING BLADES
SQC2-24X18X3XXX	ORANGE	WITH ORANGE URETHANE REVERSING BLADES
SQC2-24X24X3XXX	BROWN	WITH TC TIPPED BROWN URETHANE BLADES
SQC2-30X24X3XXX	GREEN	WITH TC TIPPED GREEN URETHANE BLADES
SQC2-30X30X3XXX	ORANGE	WITH TC TIPPED ORANGE URETHANE BLADES
SQC2-36X30X3XXX	BROWN	WITH BROWN ALL URETHANE BLADES
SQC2-36X36X3XXX	GREEN	WITH GREEN ALL URETHANE BLADES
SQC2-42X36X3XXX	ORANGE	WITH ORANGE ALL URETHANE BLADES
SQC2-42X42X3XXX	BROWN	WITH BROWN ALL URETHANE BLADES
SQC2-48X42X3XXX	GREEN	WITH GREEN ALL URETHANE BLADES
SQC2-48X48X3XXX	ORANGE	WITH ORANGE ALL URETHANE BLADES
SQC2-54X48X3XXX	BROWN	WITH BROWN ALL URETHANE BLADES
SQC2-54X54X3XXX	GREEN	WITH GREEN ALL URETHANE BLADES
SQC2-60X54X3XXX	ORANGE	WITH ORANGE ALL URETHANE BLADES
SQC2-60X60X3XXX	BROWN	WITH BROWN ALL URETHANE BLADES
SQC2-66X60X3XXX	GREEN	WITH GREEN ALL URETHANE BLADES
SQC2-66X66X3XXX	ORANGE	WITH ORANGE ALL URETHANE BLADES
SQC2-72X66X3XXX	BROWN	WITH BROWN ALL URETHANE BLADES
SQC2-72X72X3XXX	GREEN	WITH GREEN ALL URETHANE BLADES
SQC2-78X72X3XXX	ORANGE	WITH ORANGE ALL URETHANE BLADES
SQC2-78X78X3XXX	BROWN	WITH BROWN ALL URETHANE BLADES
SQC2-84X78X3XXX	GREEN	WITH GREEN ALL URETHANE BLADES
SQC2-84X84X3XXX	ORANGE	WITH ORANGE ALL URETHANE BLADES
SQC2-90X84X3XXX	BROWN	WITH BROWN ALL URETHANE BLADES
SQC2-90X90X3XXX	GREEN	WITH GREEN ALL URETHANE BLADES
SQC2-96X90X3XXX	ORANGE	WITH ORANGE ALL URETHANE BLADES
SQC2-96X96X3XXX	BROWN	WITH BROWN ALL URETHANE BLADES

** NOTE: ON ASSEMBLIES WITH TC TIPPED BLADES, THE OUTER BLADE ON EACH END WILL BE ALL URETHANE. **



PART NO.	BELT WIDTH	DIM "A" BLADE WIDTH	DIM "B" FRAME LENGTH
SQC2-18X12X3XXX	18 [400-500]	12.00 [305]	48.94 [1243]
SQC2-18X18X3XXX	18 [400-500]	18.00 [457]	48.94 [1243]
SQC2-24X18X3XXX	24 [500-650]	18.00 [457]	54.85 [1393]
SQC2-24X24X3XXX	24 [500-650]	24.00 [610]	54.85 [1393]
SQC2-30X24X3XXX	30 [650-800]	24.00 [610]	60.75 [1543]
SQC2-30X30X3XXX	30 [650-800]	30.00 [762]	60.75 [1543]
SQC2-36X30X3XXX	36 [800-1000]	30.00 [762]	66.66 [1693]
SQC2-36X36X3XXX	36 [800-1000]	36.00 [914]	66.66 [1693]
SQC2-42X36X3XXX	42 [1000-1200]	36.00 [914]	72.56 [1843]
SQC2-42X42X3XXX	42 [1000-1200]	42.00 [1067]	72.56 [1843]
SQC2-48X42X3XXX	48 [1200-1400]	42.00 [1067]	78.47 [1993]
SQC2-48X48X3XXX	48 [1200-1400]	48.00 [1219]	78.47 [1993]
SQC2-54X48X3XXX	54 [1400-1600]	48.00 [1219]	84.37 [2143]
SQC2-54X54X3XXX	54 [1400-1600]	54.00 [1372]	84.37 [2143]
SQC2-60X54X3XXX	60 [1600-1800]	54.00 [1372]	90.28 [2293]
SQC2-60X60X3XXX	60 [1600-1800]	60.00 [1524]	90.28 [2293]
SQC2-66X60X3XXX	66 [1600-1800]	60.00 [1524]	96.19 [2443]
SQC2-66X66X3XXX	66 [1600-1800]	66.00 [1676]	96.19 [2443]
SQC2-72X66X3XXX	72 [1800-2000]	66.00 [1676]	102.09 [2593]
SQC2-72X72X3XXX	72 [1800-2000]	72.00 [1829]	102.09 [2593]
SQC2-78X72X3XXX	78 [1800-2000]	72.00 [1829]	108.00 [2743]
SQC2-78X78X3XXX	78 [1800-2000]	78.00 [1981]	108.00 [2743]
SQC2-84X78X3XXX	84 [2000-2200]	78.00 [1981]	113.90 [2893]
SQC2-84X84X3XXX	84 [2000-2200]	84.00 [2134]	113.90 [2893]
SQC2-90X84X3XXX	90 [2100-2200]	84.00 [2134]	119.81 [3043]
SQC2-90X90X3XXX	90 [2100-2200]	90.00 [2286]	119.81 [3043]
SQC2-96X90X3XXX	96 [2200-2400]	90.00 [2286]	125.72 [3193]
SQC2-96X96X3XXX	96 [2200-2400]	96.00 [2438]	125.72 [3193]



- NOTES:
- 1) ALL DIMENSIONS ARE GIVEN IN INCHES (MM).
 - 2) ALL DIMENSIONS ARE FOR REFERENCE ONLY.
 - 3) FOR EASE OF ACCESSIBILITY AND MAINTENANCE MARTIN ENGINEERING RECOMMENDS BOLTING CLEANER TO EXISTING STRUCTURE WHEN APPLICABLE.
 - 4) DUE TO STRUCTURAL TOLERANCES IN THE FIELD, DIMENSIONS AND LOCATIONS MAY VARY.
 - 5) WHERE EXTREME AND UNUSUAL CONDITIONS EXIST, OR SPECIAL MAINFRAME LENGTHS ARE REQUIRED, CONTACT MARTIN ENGINEERING.
 - 6) CUSTOMER MAY HAVE TO MODIFY STRUCTURE TO PROPERLY INSTALL CLEANER.
 - 7) REFER TO OPERATOR'S MANUAL (M3682) FOR ADDITIONAL AND OPTIONAL INSTALLATION INSTRUCTIONS.
 - 8) MARTIN ENGINEERING RECOMMENDS POSITIONING OF AN IDLER FOR PROPER BACKING SUPPORT OF THE CLEANER IF NOT LOCATED/LOCATED ON THE HEAD PULLEY.

- NOTES:
- 9) MAINFRAME IS SUPPLIED LONGER THAN REQUIRED, FIELD CUT TO DESIRED LENGTH.
 - 10) LOCATE AND DRILL HOLES FOR TENSIONER BEFORE LOCATING ACCESS WINDOW. NOTE TENSIONER LT/RT MOUNTING DIRECTION.
 - 11) IN THE P/N THE FIRST TWO XX'S INDICATE THE BELT WIDTH (18 THRU 96) THE NEXT X INDICATES THE BLADE TYPE: (R, T OR U - SEE BLADE CHART) THE NEXT TWO XX'S INDICATE THE BLADE CLEANING WIDTH (18 THRU 96) THE NEXT TWO XX'S INDICATE THE URETHANE COLOR: (B3, G3 OR O3) THE NEXT X INDICATES THE MAINFRAME OPTIONS: (P = PAINTED MAINFRAME, S = STAINLESS STEEL MAINFRAME) THE NEXT X INDICATES IF A TENSIONER IS INCLUDED. THE LAST X INDICATES IF ADDITIONAL OPTIONS ARE INCLUDED.

©Copyright 2011 Martin Engineering. All rights reserved. Covered by U.S. and Foreign patents pending and issued. R and TM indicate trademarks of Martin Engineering.

MARTIN ENGINEERING NEPONSET ILLINOIS USA

NO.	REVISION	DESCRIPTION	ECN	DATE	BY
D	ADDED -XXRXXX3XXX OPTIONS TO DRAWING (PRI1947)	----	02/24/11	JAP	
C	ADDED LT SIDE TENSIONER MOUNTING DETAILS (MD0774)	----	05/27/09	RND	
B	CHGD DIM FROM 16.50 TO 13.00	12594	03/13/09	MJB	
A	UPDATED CHART (ADDED 6" LESS P/N'S)	----	05/19/08	MJB	

SALES DRAWING

NO. DESCRIPTION ECN DATE BY

REVISED

DATE 02/11/08
CHECKED
DATE 02/13/08
APPROVED T.J.G.
DATE 02/13/08
SCALE 1/4

S50056