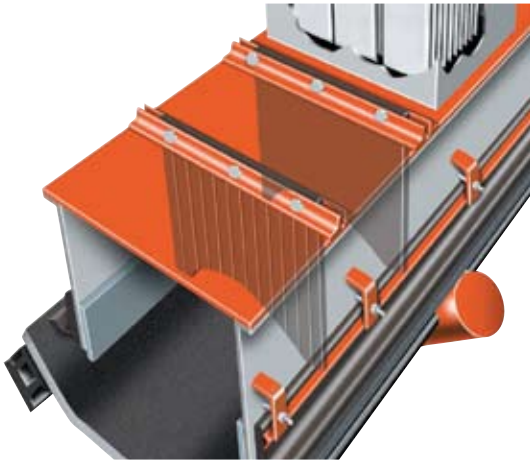


MARTIN®

Dual Dust Curtain



Installed at the exit of the loading zone, [MARTIN® Dual Dust Curtain](#) provides effective sealing to prevent the escape of airborne fines. Mounted in the skirtboard cover, the dust curtains help create a plenum for dust suppression and dust collection.

Recommended installation is one curtain without slits closest to loading zone, followed by one curtain with slits at exit of skirtboard. Additional curtains may be installed to reduce air movement and isolate dust suppression or dust collection systems.

Specifications

Curtain Material	SBR rubber 60 durometer
Curtain Width	Belt width minus 4 in. (100 mm)
Frame Width	Belt width plus 0.5 in. (12 mm)

Notes

Skirtboard cover is not supplied.

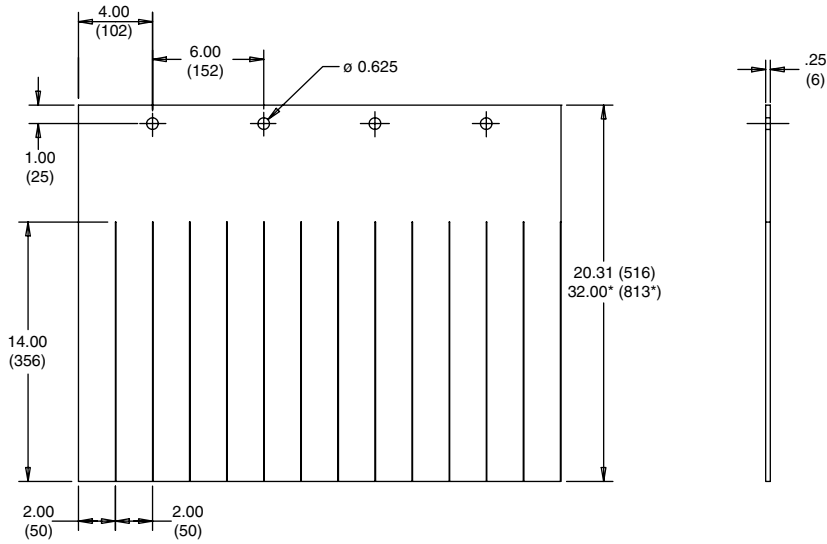
Curtains are to be trimmed in field to fit conveyor troughing angle and skirtboard height. Recommended trim length is 1 in. (25 mm) lower than fully loaded material profile on belt.

Order Information

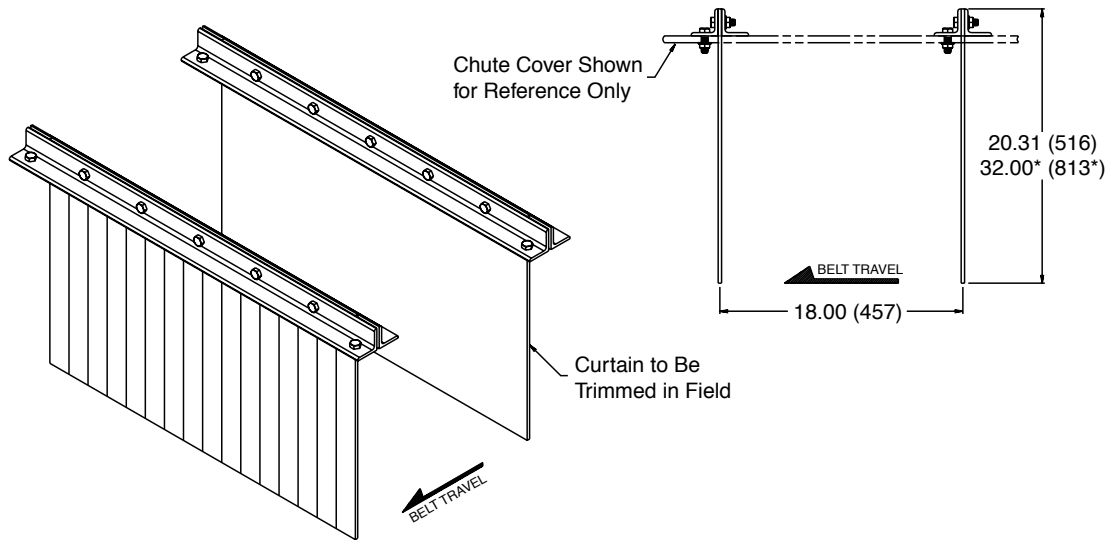
Item	Includes	P/N	Nomenclature
MARTIN® Dual Dust Curtain	one curtain with slits one curtain without slits two steel mounting frames	33968-XXX	First XX = Belt Width (in.) Last X = "D" for Double High
Replacement Rubber Curtain	one rubber curtain	33965-XXXX	First XX = Belt Width (in.) Third X = "S" for Slits (if required) Last X = "D" for Double High

TECHNICAL DATA SHEET

Dimensions—in. (mm)



*Second dimension is for Double High.



Martin Engineering USA
 One Martin Place
 Neponset, IL 61345-9766 USA
 800 544 2947 or 309 852 2384
 Fax 800 814 1553
www.martin-eng.com

Subject to change without prior notice.
 Patents and patents pendings, ® registered
 trademark of Martin Engineering Company in the
 U.S. and other select locations.
 Additional information can be obtained at
www.martin-eng.com/trademarks.

QUALITY MANAGEMENT SYSTEM
 CERTIFIED BY DNV
ISO 9001:2008

Problem Solved™

Form No. L3298-06 08/11
 © Martin Engineering Company 2011