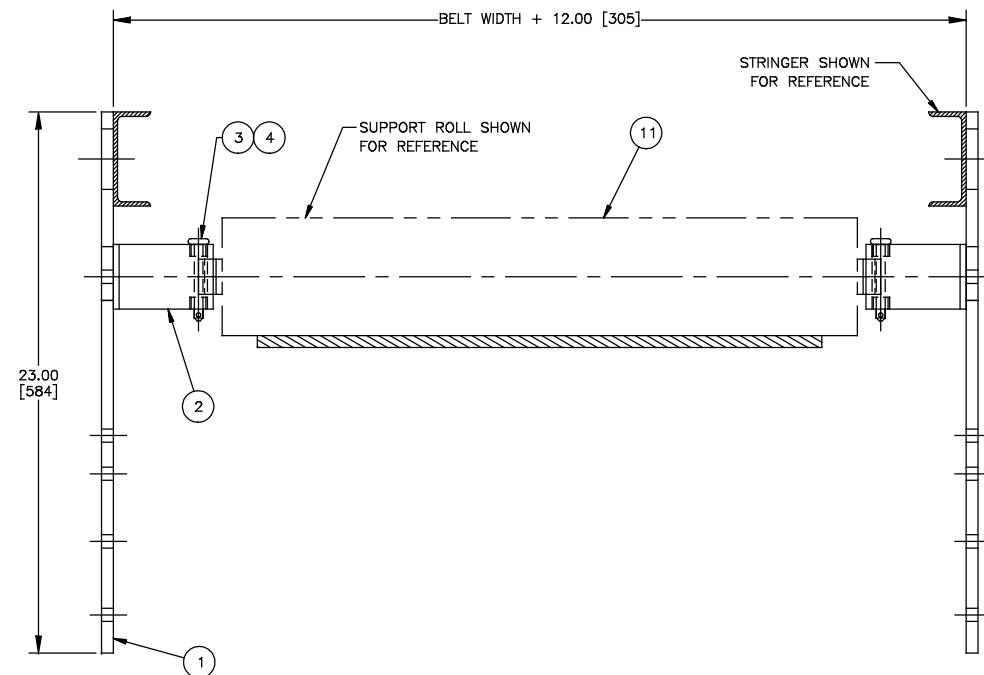
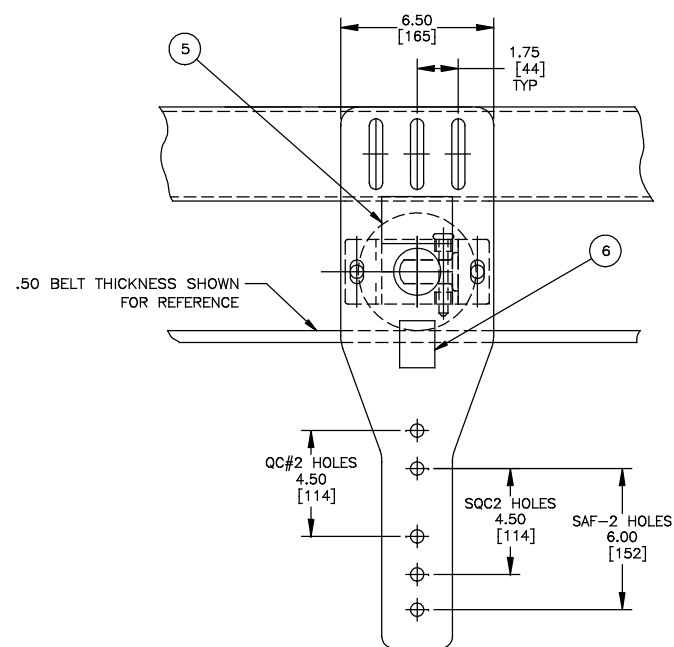
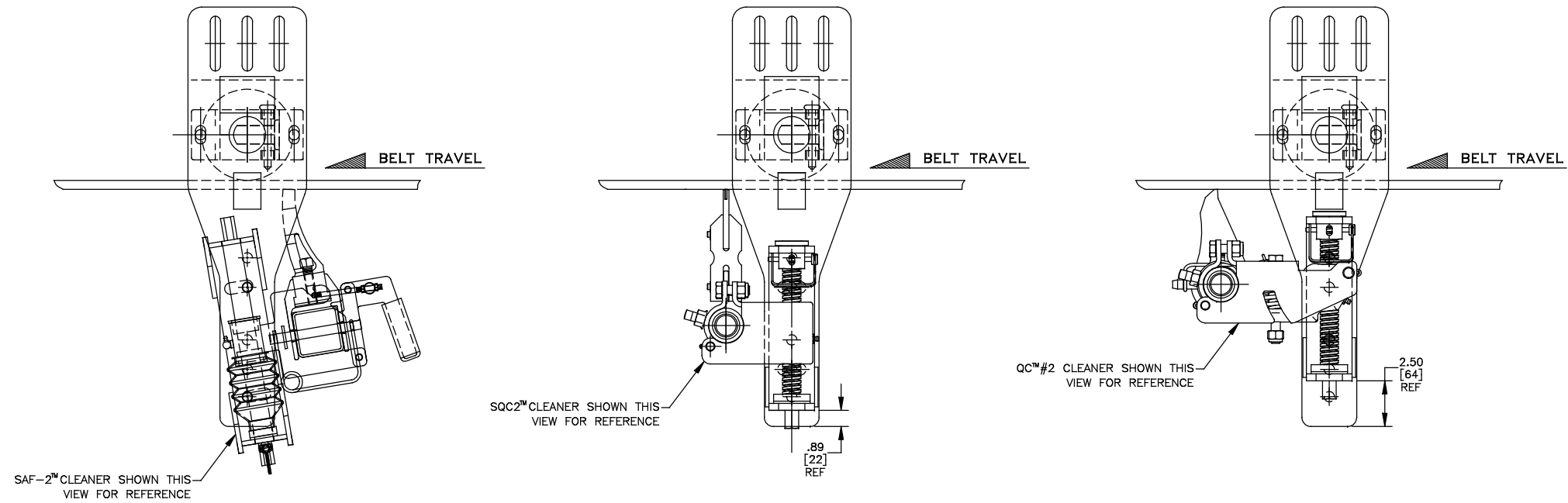


ASSEMBLY PART NUMBER	ASSEMBLY PART NUMBER	ITEM 2 PART NO.	ROLL MANUFACTURER
34542-18XX	34542-XXCX	32294-C	CONT. CONV. AND NORTH AMERICAN
34542-24XX	34542-XXFX	32294-F	FMC (LINK BELT) / SUPERIOR
34542-30XX	34542-XXGX	32294-G	GOODMAN CONV AND LONG-AIRDOX
34542-36XX	34542-XXHX	32294-H	HEWITT - ROBINS
34542-42XX	34542-XXLX	32294-G	LONG-AIRDOX
34542-48XX	34542-XXNX	32294-C	NORTH AMERICAN
34542-54XX	34542-XXSX	32294-S	STEPHENS-ADAMSON
34542-60XX			
34542-72XX			

ASSEMBLY PART NUMBER	ITEM 11 PART NO.	ROLL MANUFACTURER
34542-XXCX	32296-XXCX	CONTINENTAL CONVEYOR
34542-XXFX	32296-XXFX	FMC (LINK BELT)
34542-XXGX	32296-XXGX	GOODMAN CONVEYOR
34542-XXHX	32296-XXHX	HEWITT - ROBINS
34542-XXLX	32296-XXLX	LONG-AIRDOX
34542-XXNX	32296-XXNX	NORTH AMERICAN
34542-XXSX	32296-XXSX	STEPHENS-ADAMSON

ITEM	QTY.	DESCRIPTION	PART NUMBER
1	2	BRACKET MOUNT	34541
2	2	BRACKET WELDMENT	SEE CHART
3	2	PIN LOCKING $\phi 7/16$	32295
4	2	PIN HAIR COTTER	26670
5	2	LABEL MARTIN PRODUCT	38048
6	2	LABEL PINCH POINT WARNING	30528
NS 7	10	SCREW HHC 1/2-13NC X 1-1/2	11763
NS 8	10	WASHER FLAT 1/2	17328
NS 9	10	WASHER LOCK 1/2	17329
NS 10	10	NUT HEX 1/2-13NC	11771
NS 11	1	SUPPORT ROLL	SEE CHART

NS = NOT SHOWN



- NOTES:
- 1) ALL DIMENSIONS ARE GIVEN IN INCHES [MM].
  - 2) ALL DIMENSIONS ARE FOR REFERENCE ONLY.
  - 3) ONE (1) COPY OF DRAWING 34542-XXXX TO BE SHIPPED WITH PRODUCT.
  - 4) THE FIRST TWO XX'S IN THE PART NUMBER INDICATES BELT WIDTH. THE THIRD X INDICATES SUPPORT ROLL MANUFACTURER. THE LAST X INDICATES DIAMETER OF ROLL. TO ORDER LESS ROLL REMOVE THE FIRST TWO XX'S AND THE LAST X.

© Copyright 2005 Martin Engineering. All rights reserved. Covered by U.S. and foreign patents pending and issued. ® and TM indicate trademarks of Martin Engineering.

<b>MARTIN ENGINEERING</b>	NEPONSET ILLINOIS USA	DRAWN MJB DATE 04/20/05
		CHECKED

NO.	DESCRIPTION	ECN	DATE	BY
E	CHGD P/N FROM 32296 TO 38048 IN BOM	11799	10/16/06	MJB
D	ADDED SUPPORT ROLL (32296-XXXX) AND ROLL OPTIONS TO CHART/CHGD DRAWING NO FROM 34542-X (PR10183)	11340	09/30/05	JAP
C	ADDED VIEW FOR QC#2 & SQC2/RMVD P/N 25153 FROM DRAWING BOM ONLY	11340	04/20/05	MJB

TITLE	ROLLER BRACKET ASSEMBLY	ENG. <b>fadp</b> DATE 04/21/05
	F/SAF-2, QC#2 & SQC2	I.E. <b>fadp</b> DATE 04/29/05
DRAWING NUMBER	34542-XXXX	APPROVED <b>fadp</b> DATE 04/25/05
AutoCAD	REVISION	SCALE 1/4