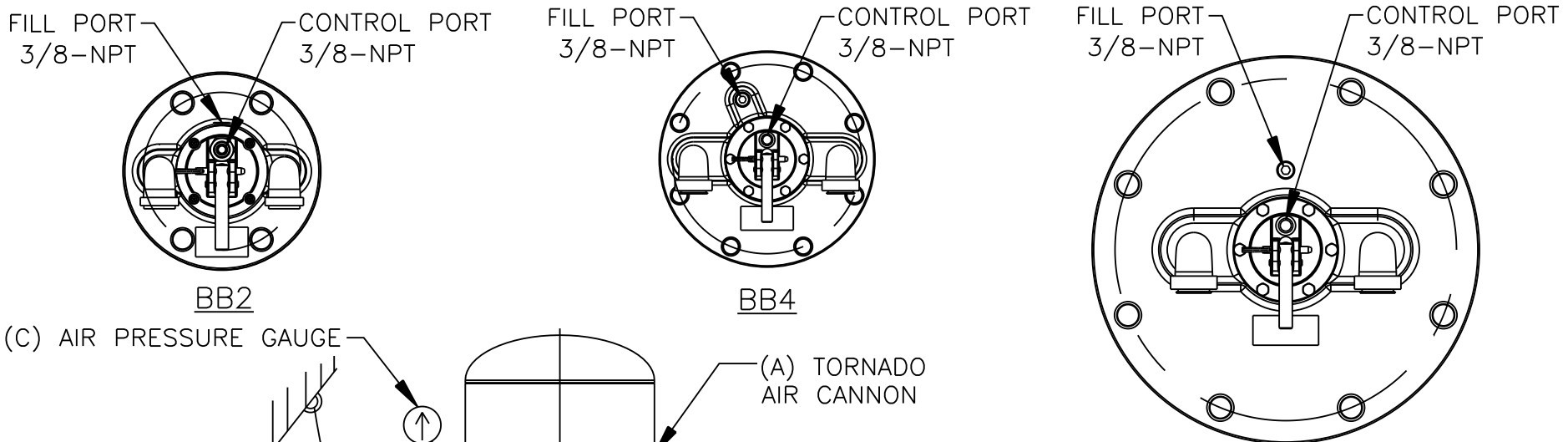
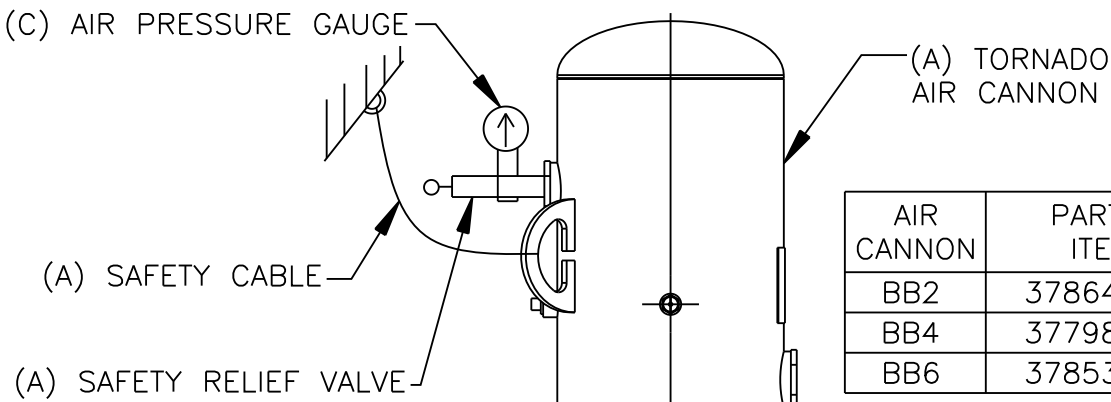


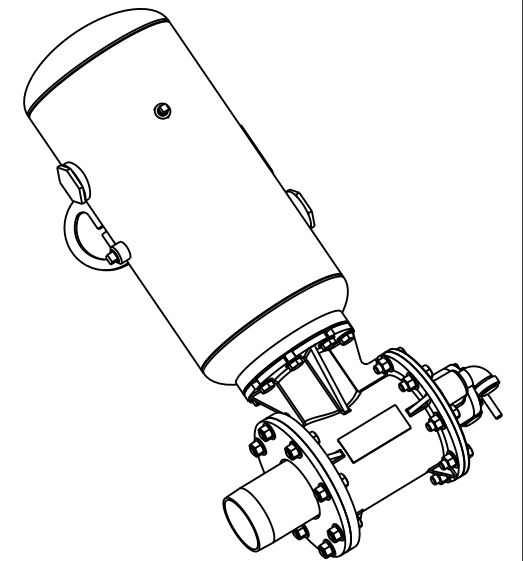
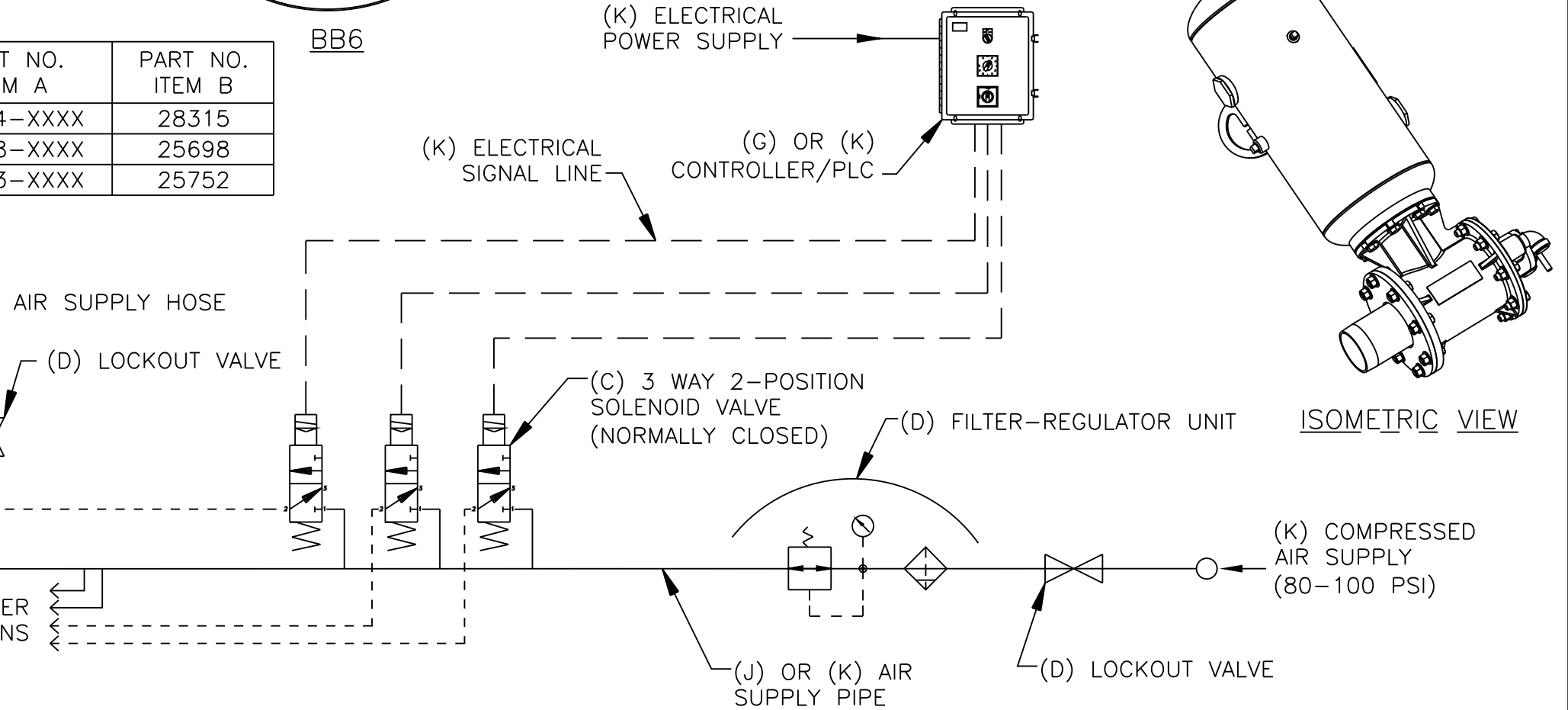
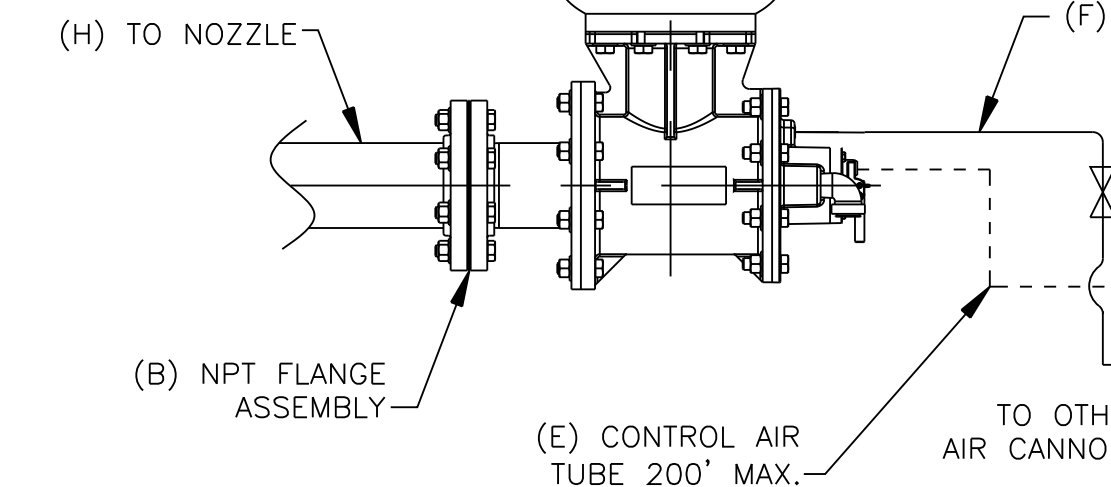
S50050-T-NC



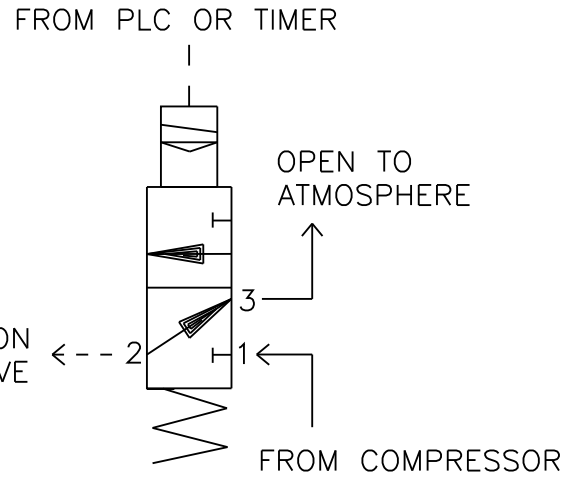
ITEM	DESCRIPTION	PART NUMBER
A	TORNADO AIR CANNON ASM	SEE CHART
B	BBAC SCREWED FLANGE ASM	SEE CHART
C	BBAC PLUMBING KIT 110V	37886-110
D	BBAC AIR FILL KIT 1/2-NPT	37890-XX
E	FILL CONTROL LINE KIT	33739
F	HOSE KIT WITH NIPPLE & RED BUSHING	37452
G	AIR CANNON CONTROLLER	38901
H	SEE MARTIN ENGINEERING RECOMMENDATION	CONTACT MARTIN
J	BLACK PIPE 1/2 SCH 40	103008
K	EQUIPMENT BY OTHERS	BY OTHERS



AIR CANNON	PART NO. ITEM A	PART NO. ITEM B
BB2	37864-XXXX	28315
BB4	37798-XXXX	25698
BB6	37853-XXXX	25752



ISOMETRIC VIEW



SOLENOID PLUMBING DETAIL

NO.	DESCRIPTION	ECN	DATE	BY
A	CHGD P/N FROM 36756 TO 38901 IN BOM	13145	06/12/13	JAH
REVISION				

© Copyright 2007 Martin Engineering. All rights reserved. Covered by U.S. and foreign patents pending and issued. ® and TM indicate trademarks of Martin Engineering.

MARTIN ENGINEERING NEPONSET ILLINOIS USA

TITLE	TORNADO XHV AIR CANNON PLUMBING ARRANGEMENT W/N.C. SOLENOID VALVE	DRAWN RND	DATE 07/17/07
SALES DRAWING	S50050-T-NC	CHECKED	ENG. <i>MFB</i>
		APPROVED	DATE 07/23/07
		DATE 07/23/07	SCALE NONE

MD0727