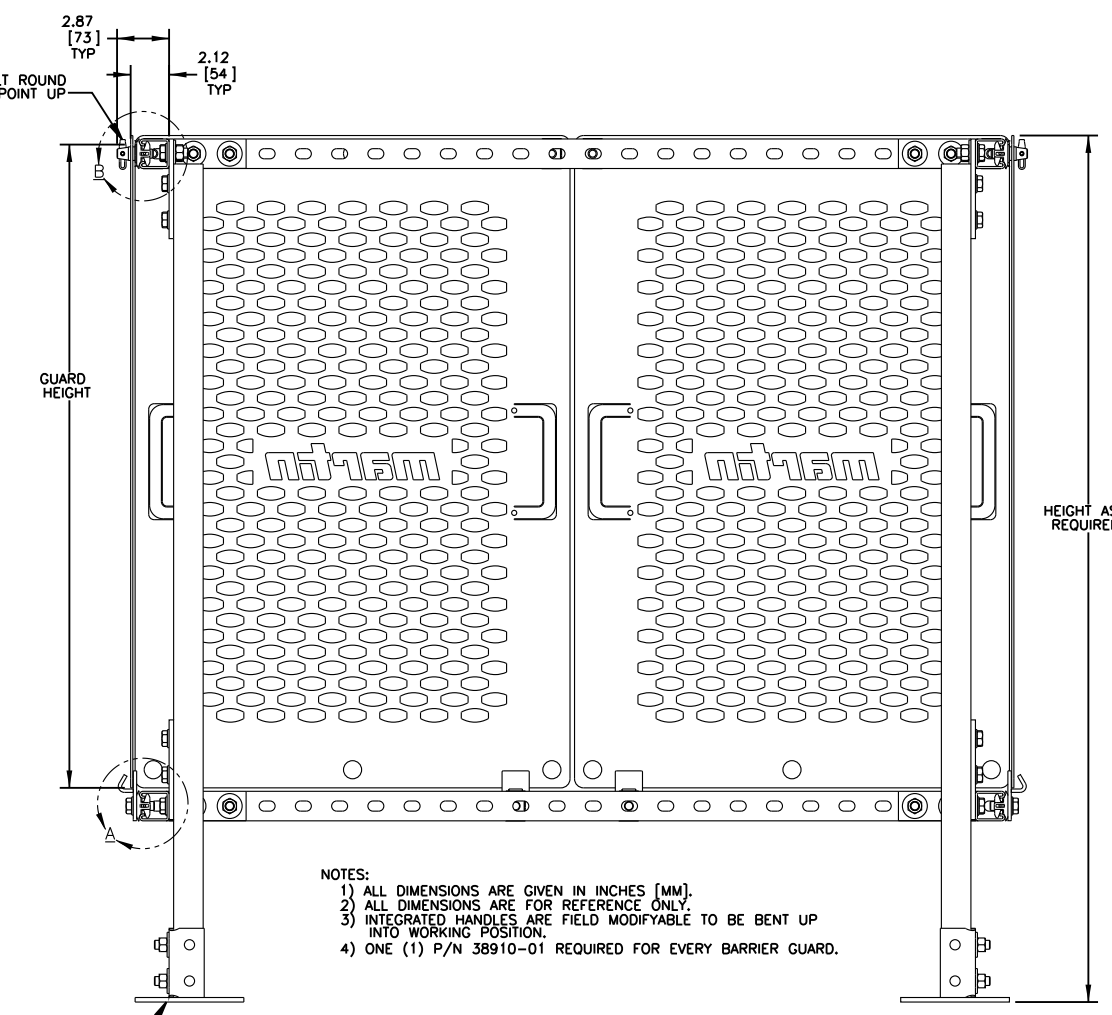
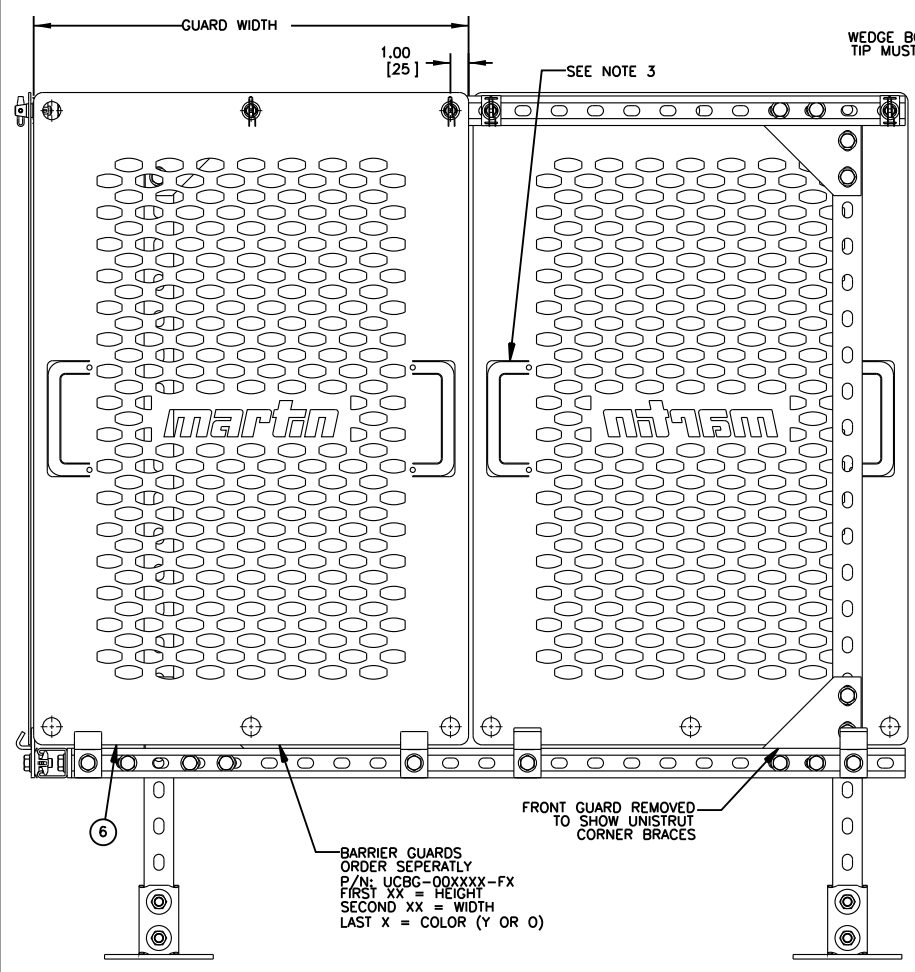
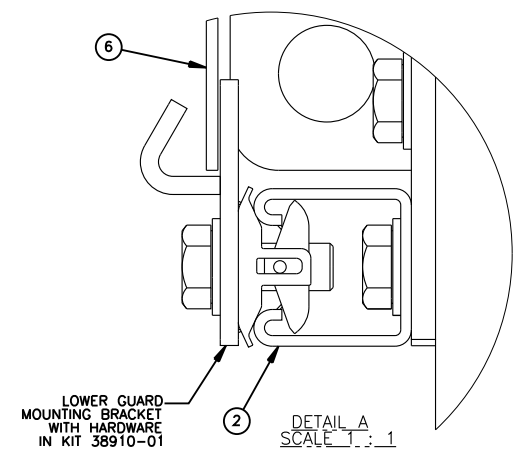
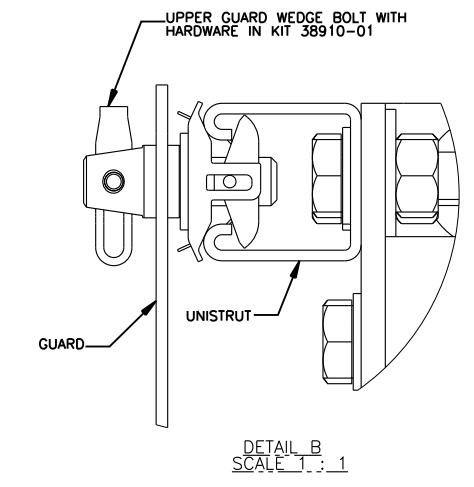
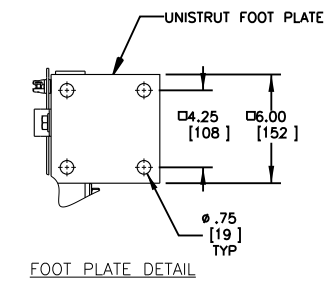
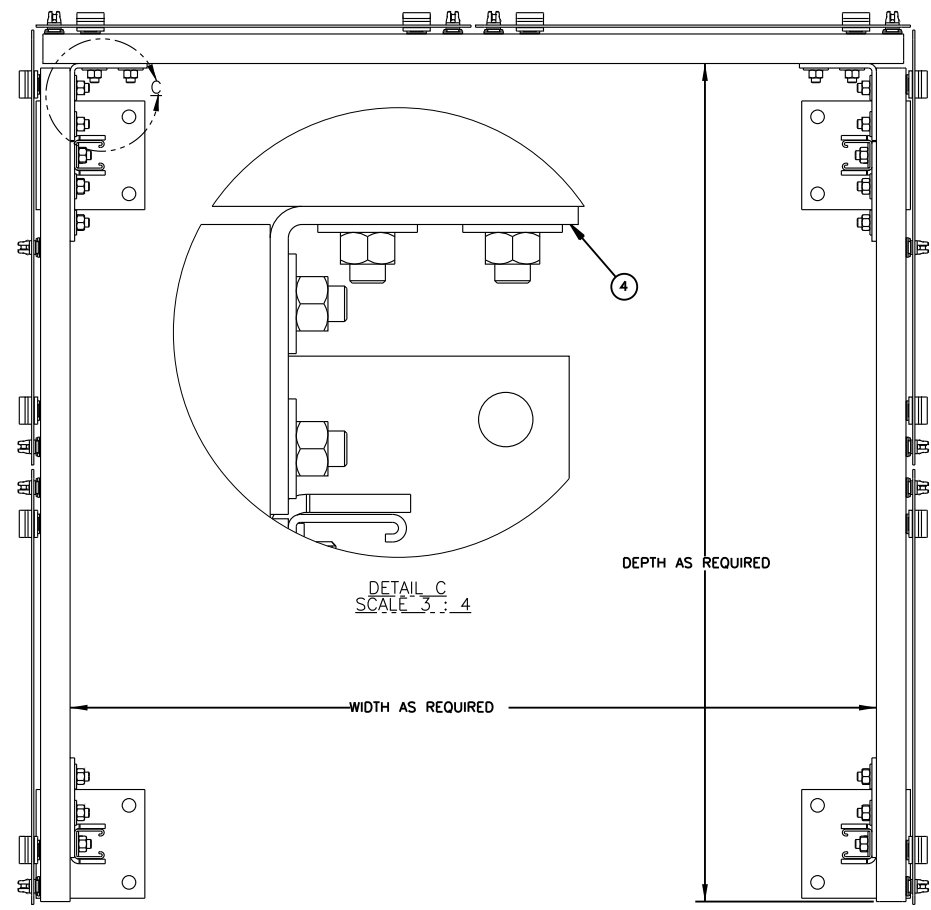
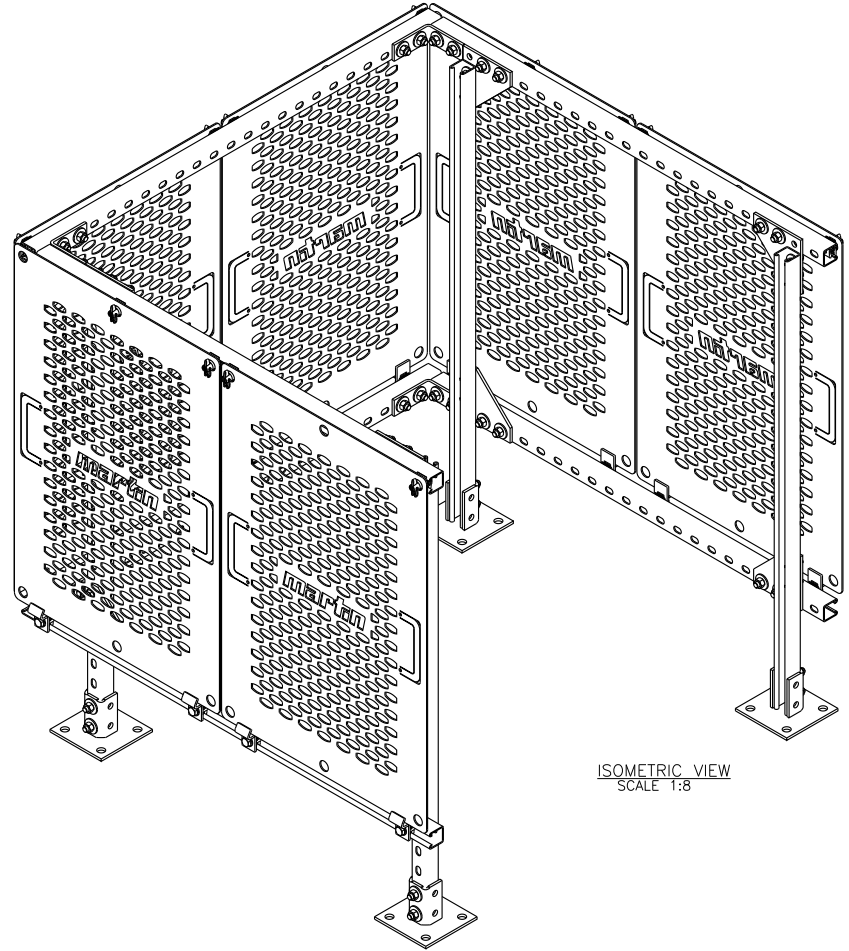
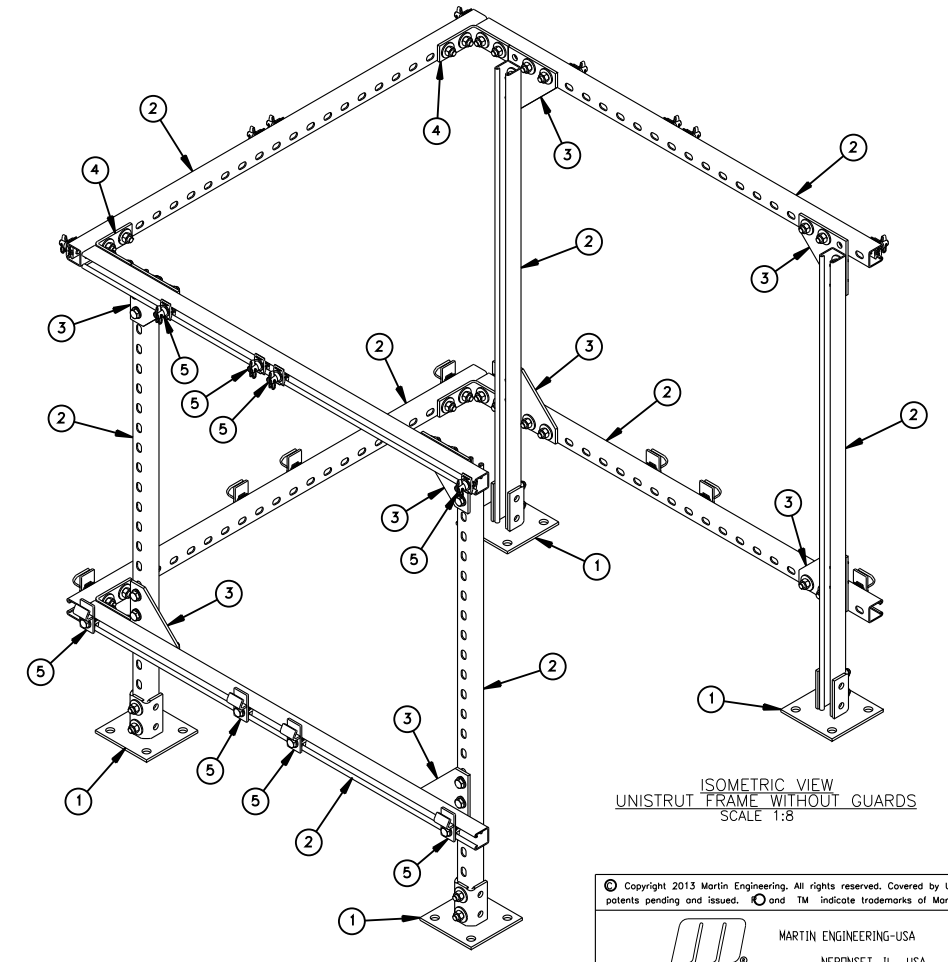


ITEM	QTY	DESCRIPTION	PART NUMBER
1	A/R	BARRIER GUARD UNISTRUT FOOT PLATE	38910-05
2	A/R	BARRIER GUARD UNISTRUT 120.00" LG	36470-120
3	A/R	BARRIER GUARD UNISTRUT CORNER BRACE	38910-06
4	A/R	BARRIER GUARD UNISTRUT L-BRACKET	38910-07
5	S/N	BARRIER GUARD UNISTRUT MTG HARDWARE	38910-01
6	A/R	BARRIER GUARD	UCBG-00XXXX-X

S/N = SEE NOTE 4
A/R = NUMBER OF PIECES AS REQUIRED



- NOTES:
- 1) ALL DIMENSIONS ARE GIVEN IN INCHES [MM].
 - 2) ALL DIMENSIONS ARE FOR REFERENCE ONLY.
 - 3) INTEGRATED HANDLES ARE FIELD MODIFIABLE TO BE BENT UP INTO WORKING POSITION.
 - 4) ONE (1) P/N 38910-01 REQUIRED FOR EVERY BARRIER GUARD.



Copyright 2013 Martin Engineering. All rights reserved. Covered by U.S. and foreign patents pending and issued. ® and ™ indicate trademarks of Martin Engineering.

MARTIN ENGINEERING-USA
NEPONSET, IL USA

TITLE	BARRIER GUARD UNISTRUT COMPONENTS	DRAWN RND	DATE 02/28/13
CHECKED		CHECKED	
ENG. 4/7/13		DATE 02/28/13	
APPROVED 2/11		DATE 03/01/13	

NO.	DESCRIPTION	ECN	DATE	BY
SOLIDWORKS	REVISION			

SALES DRAWING

MD0848

S50080-U

SCALE 3:16