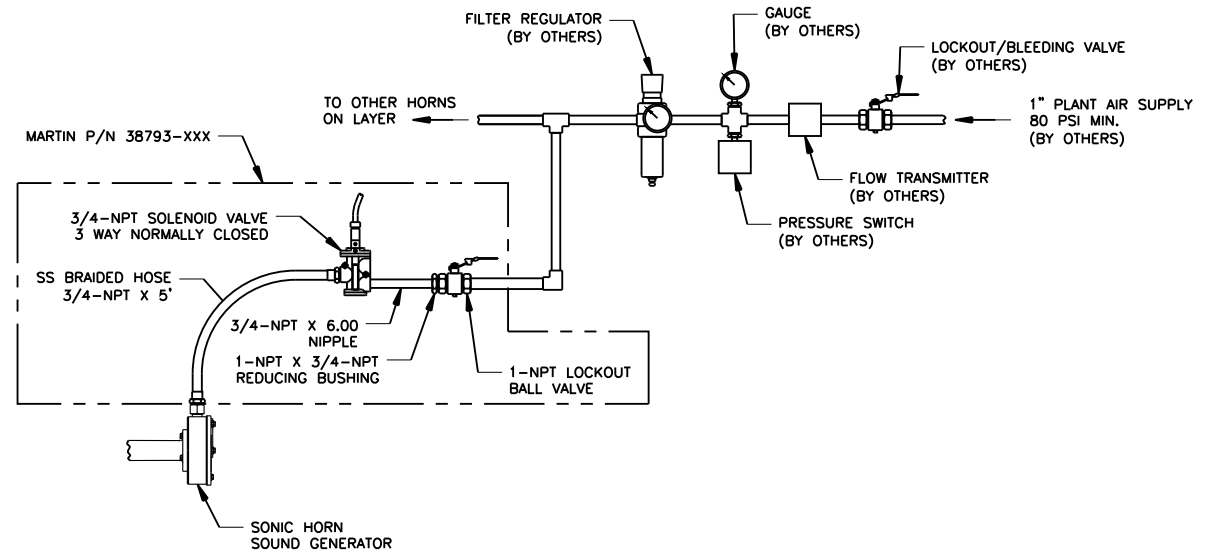
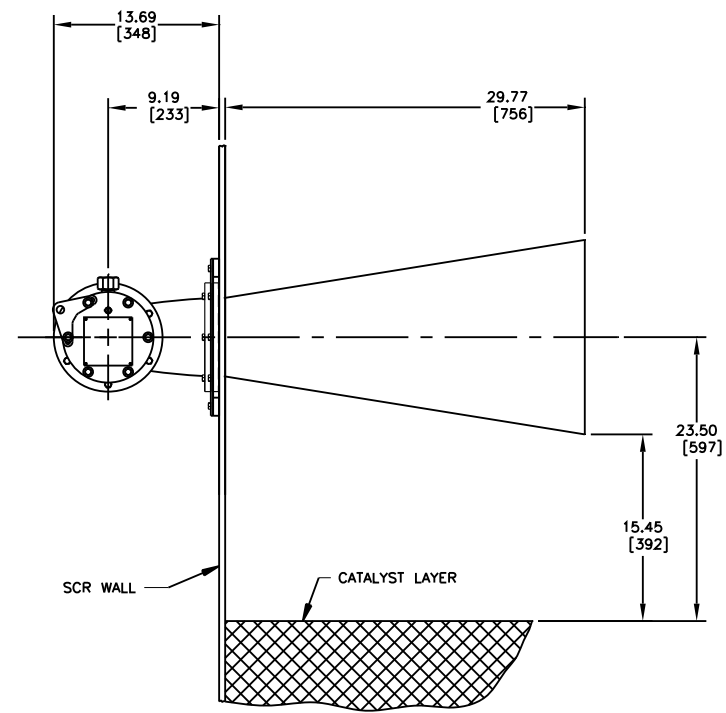
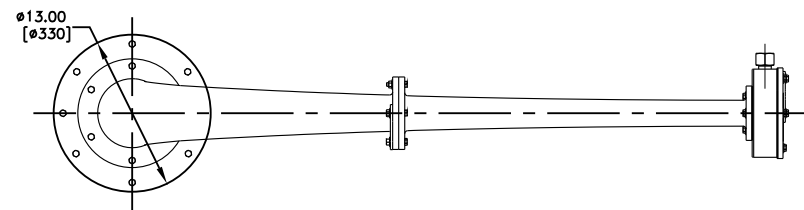


HORN MOUNTING DETAIL



SONIC HORN PIPING DETAIL



HORN MOUNTING SIDE ELEVATION VIEW

NOTES:
 1) ALL DIMENSIONS ARE GIVEN IN INCHES [MM].
 2) ALL DIMENSIONS ARE FOR REFERENCE ONLY.

© Copyright 2012 Martin Engineering. All rights reserved. Covered by U.S. and foreign patents pending and issued. ® and TM indicate trademarks of Martin Engineering.

MARTIN ENGINEERING-USA
 NEPONSET, IL USA

TITLE	75 HZ SONIC HORN INSTALLATION	DRAWN MJB DATE 10/29/12
NO.	REVISION	CHECKED ENG. 8/15 DATE 10/30/12
SALES DRAWING	S50097-SH	APPROVED 3/11 DATE 11/01/12
AutoCAD	REVISION	SCALE NONE

NO.	DESCRIPTION	ECN	DATE	BY
MD846				