

ITEM	QTY	DESCRIPTION	PART NUMBER
1	1	STANDARD V-PLOW ASSEMBLY	39072X-XXXXXXXXXX

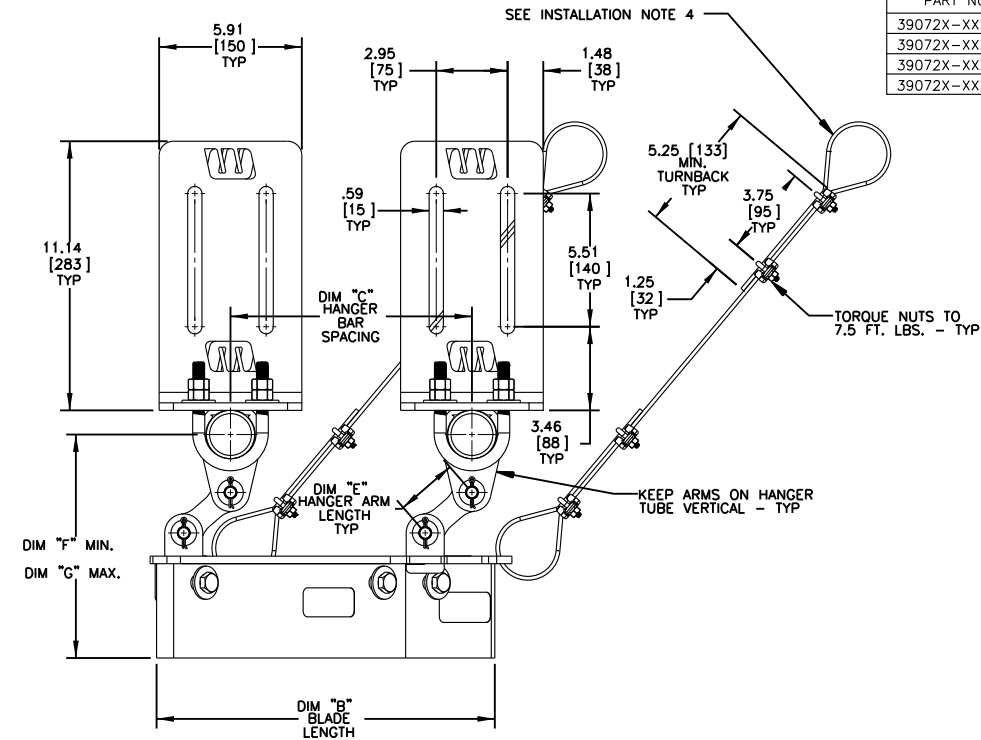
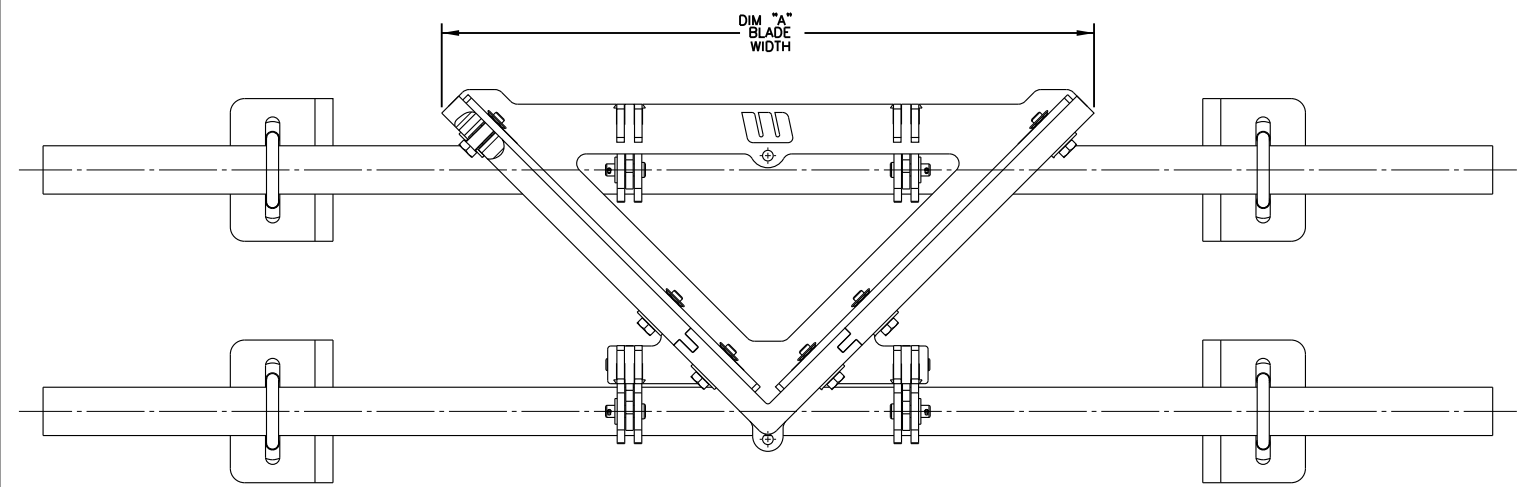
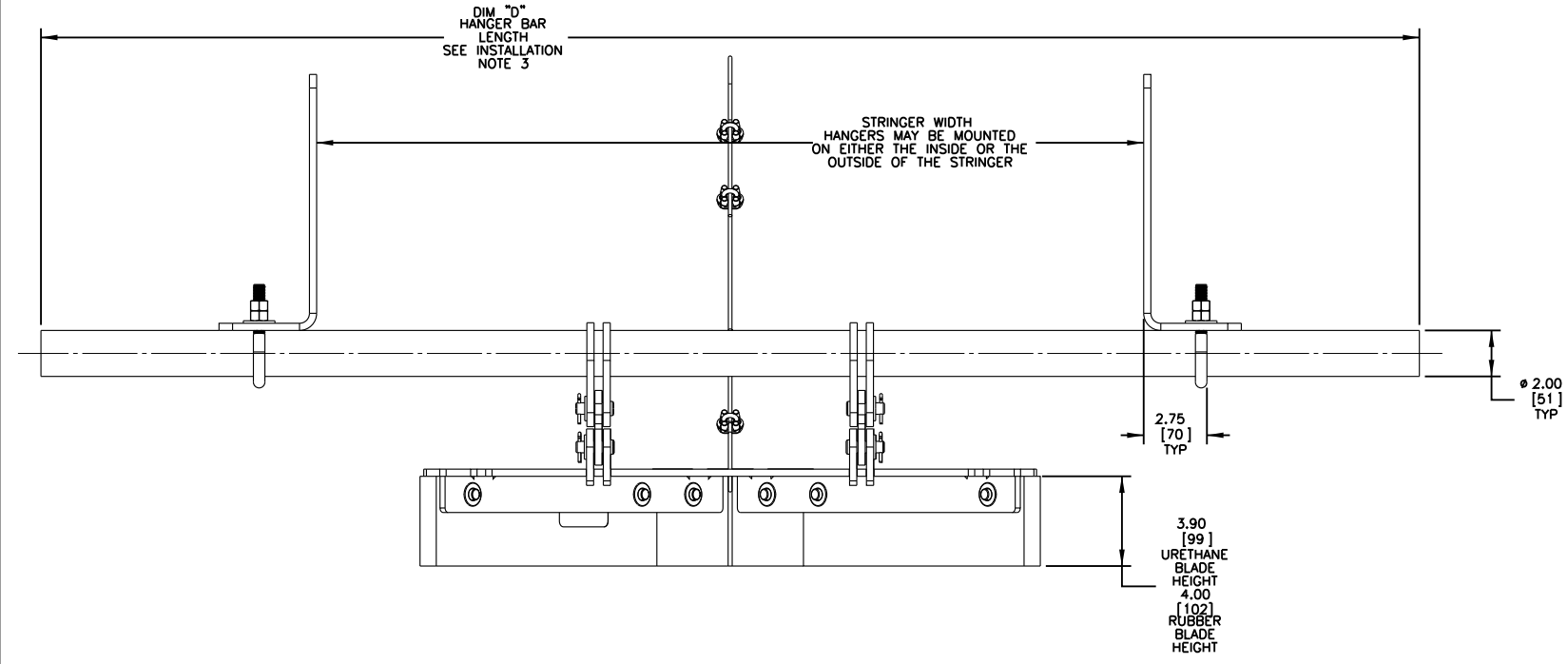
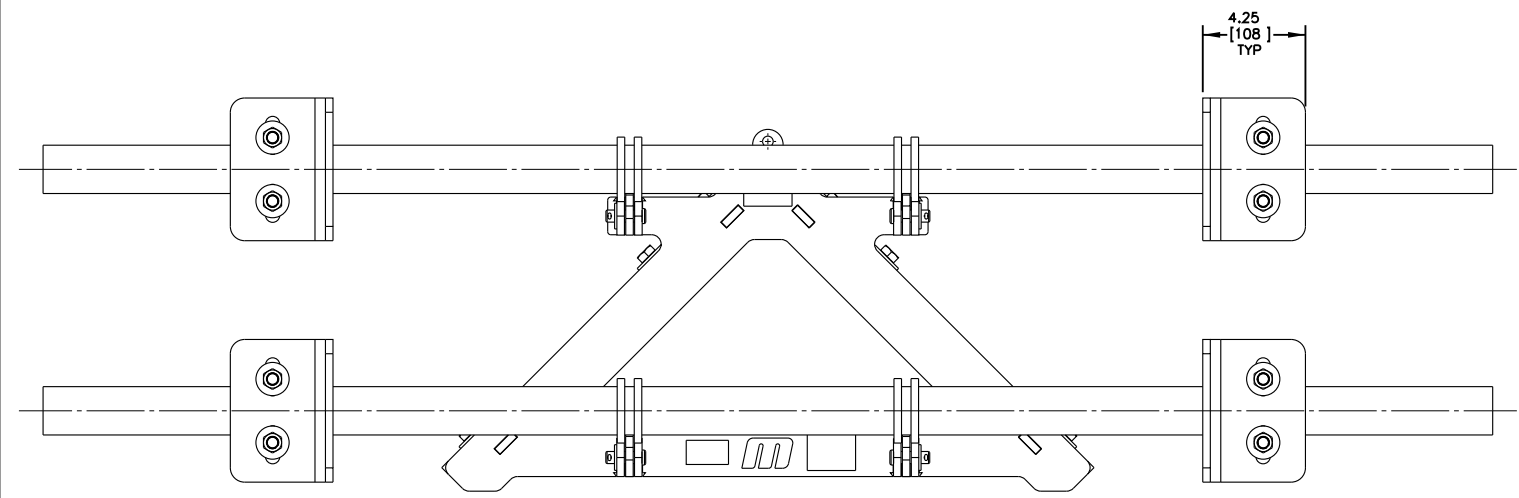
PART NUMBER	DIM "A"	DIM "B"	DIM "C"	DIM "D"	APPROX. WEIGHT LBS.
39072X-18XXXXXXXX	27.00	11.00	6.99	54.00	81
39072X-24XXXXXXXX	27.00	14.00	9.99	60.00	89

FRAME MATERIAL CHART	
ASSEMBLY PART NUMBER	FRAME MATERIAL
39072-XXXXXXXXXX	MILD STEEL (PAINTED)
39072C-XXXXXXXXXX	304 STAINLESS STEEL
39072S-XXXXXXXXXX	316 STAINLESS STEEL

BLADE CHART		
ASSEMBLY PART NUMBER	URETHANE SIDE BLADE P/N	RUBBER BLADE P/N
39072X-18RXXXX	-----	39065R-18
39072X-18UXXXX	39065U-18XX	-----
39072X-24RXXXX	-----	39065R-24
39072X-24UXXXX	39065U-24XX	-----

URETHANE BLADE COLOR CHART			
ASSEMBLY PART NUMBER	URETHANE NOSE P/N	URETHANE SIDE BLADE P/N	BLADE COLOR
39072X-XXUXXXX	39065U-N	39065U-XX	ORANGE
39072X-XXUBRXXXX	39065U-NBR	39065U-XXBR	BROWN
39072X-XXUGRXXXX	39065U-NGR	39065U-XXGR	GREEN

HANGER ARM CHART				
ASSEMBLY PART NUMBER	HANGER ARM P/N	DIM "E"	DIM "F" MIN.	DIM "G" MAX.
39072X-XXXXXX0256	38965A-0256X	2.56 [65]	8.07 [205]	9.24 [235]
39072X-XXXXXX0689	38965A-0689X	6.89 [175]	12.40 [315]	13.57 [345]
39072X-XXXXXX0787	38965A-0787X	7.87 [200]	13.38 [340]	14.55 [370]
39072X-XXXXXX1181	38965A-1181X	11.81 [300]	18.32 [465]	19.49 [495]



- NOTES:
- 1) ALL DIMENSIONS ARE GIVEN IN INCHES [MM].
 - 2) ALL DIMENSIONS ARE FOR REFERENCE ONLY.
 - 3) IN THE PART NUMBER THE "X" AFTER THE 39072 INDICATES THE MATERIAL.
 BLANK = PAINTED MILD STEEL
 C = 304 STAINLESS STEEL
 S = 316 STAINLESS STEEL
 THE NEXT TWO "XX'S" INDICATE THE BELT WIDTH.
 THE NEXT "X" INDICATES THE BLADE TYPE.
 R = RUBBER BLADE (1 PC BLADE)
 U = URETHANE BLADE (3 PC BLADE)
 THE NEXT TWO "XX'S" INDICATE THE URETHANE BLADE COLOR (SEE CHART).
 BLANK = ORANGE URETHANE BLADE COLOR
 BR = BROWN URETHANE BLADE COLOR
 GR = GREEN URETHANE BLADE COLOR
 THE LAST FOUR "XXXX'S" INDICATE THE HANGER ARM LENGTH (SEE CHART).
 - 4) UNITS ARE SHIPPED DISASSEMBLED UNLESS SPECIFIED OTHERWISE. ADD AN "A" AT THE END OF THE PART NUMBER TO INDICATE AN ASSEMBLED UNIT.
 - 5) WARNING LABELS (P/N'S 23395 AND 38277) ARE SHIPPED LOOSE AND ARE TO BE PLACED ON BOTH SIDES OF THE CONVEYOR NEAR THE PRODUCT.

- INSTALLATION NOTES:
- 1) REFER TO OPERATORS MANUAL FOR PROPER INSTALLATION AND MAINTENANCE INSTRUCTIONS. ALSO REFER TO THE MANUAL FOR REPLACEMENT PARTS.
 - 2) V-PLOW IS DESIGNED FOR TAIL PULLEY PROTECTION ONLY, NOT FOR HANDLING MATERIAL CARRYBACK.
 - 3) HANGER BARS ARE LONGER THAN REQUIRED, FIELD MODIFY THE LENGTH AS NEEDED FOR PROPER MOUNTING. IF MOUNTED THRU THE STRINGER OR STEEL PLATE DRILL OR CUT 2-1/2" DIAMETER HOLES FOR MOUNTING THE HANGER BARS.
 - 4) THE LANYARD CABLES ARE TO BE MOUNTED TO THE CONVEYOR STRUCTURE.

SHEET 1 OF 3

Copyright 2012 Martin Engineering. All rights reserved. Covered by U.S. and foreign patents pending and issued. ® and ™ indicate trademarks of Martin Engineering.

MARTIN ENGINEERING-USA
NEPINSET, IL USA

DRAWN RND
DATE 11/07/12

CHECKED

TITLE
STANDARD V-PLOW ASSEMBLY FOR 18 & 24 BELT WIDTHS

ENG. JAP
DATE 01/17/13

IE. JRD
DATE 01/22/13

APPROVED JLM
DATE 02/11/13

DRAWING NUMBER
PR12373

S50099

SCALE 1:4

NO.	DESCRIPTION	ECN	DATE	BY
	REVISION			