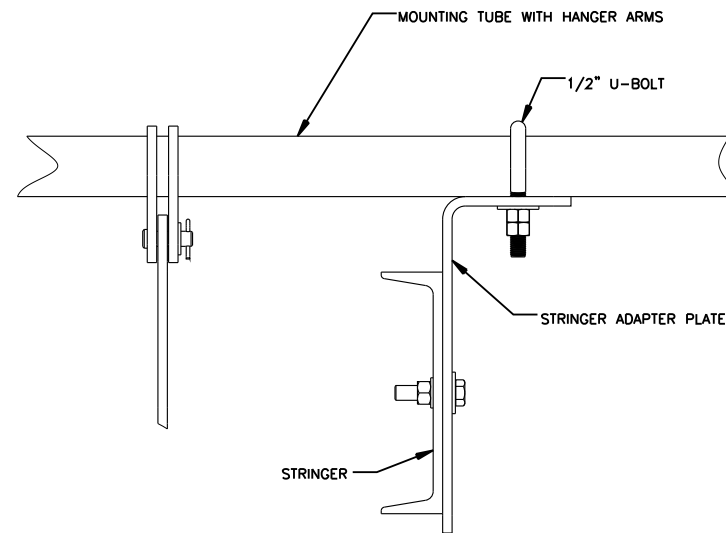
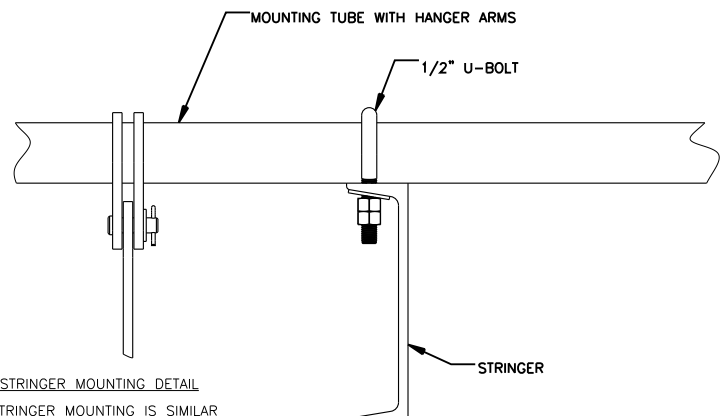
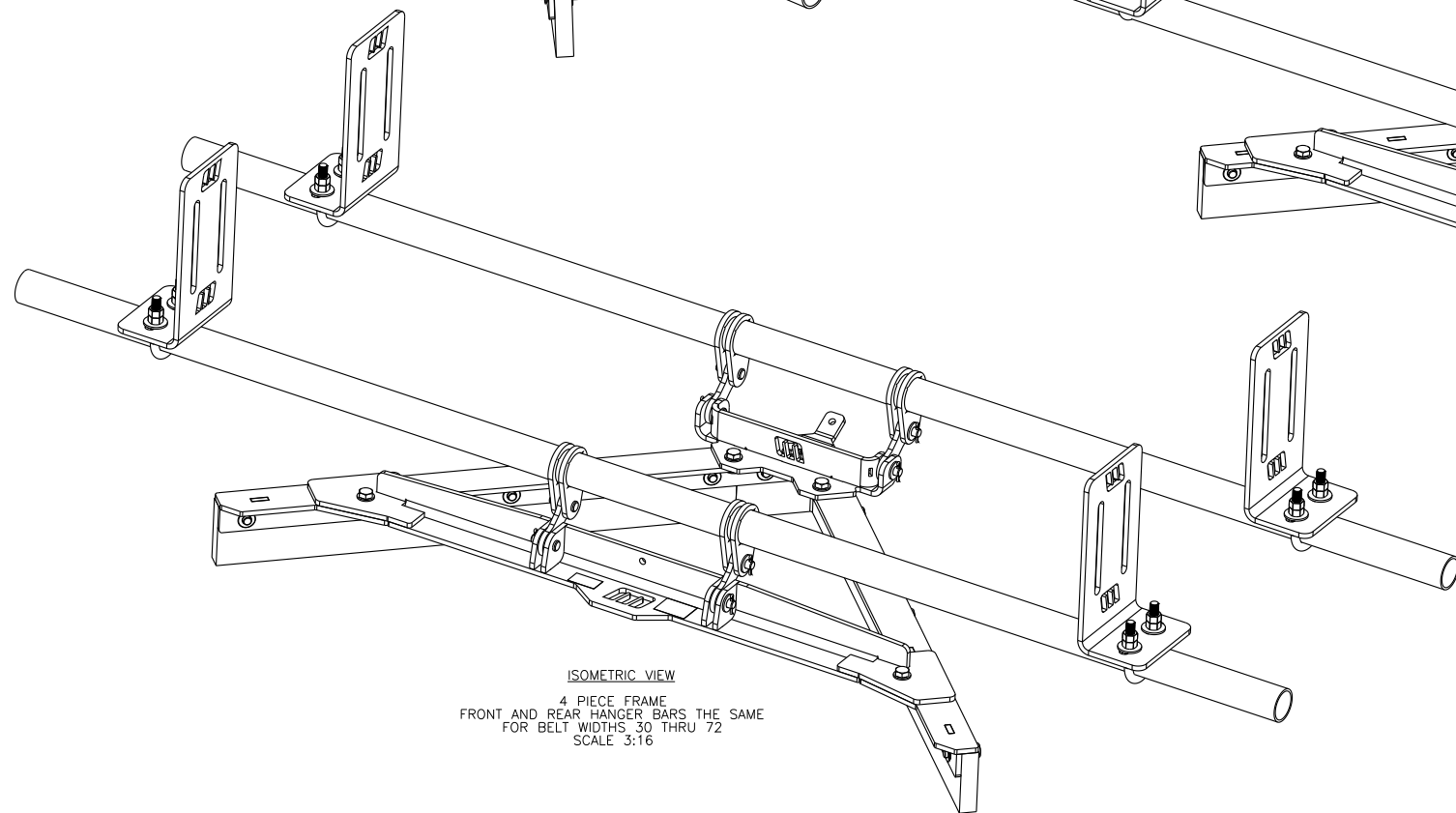
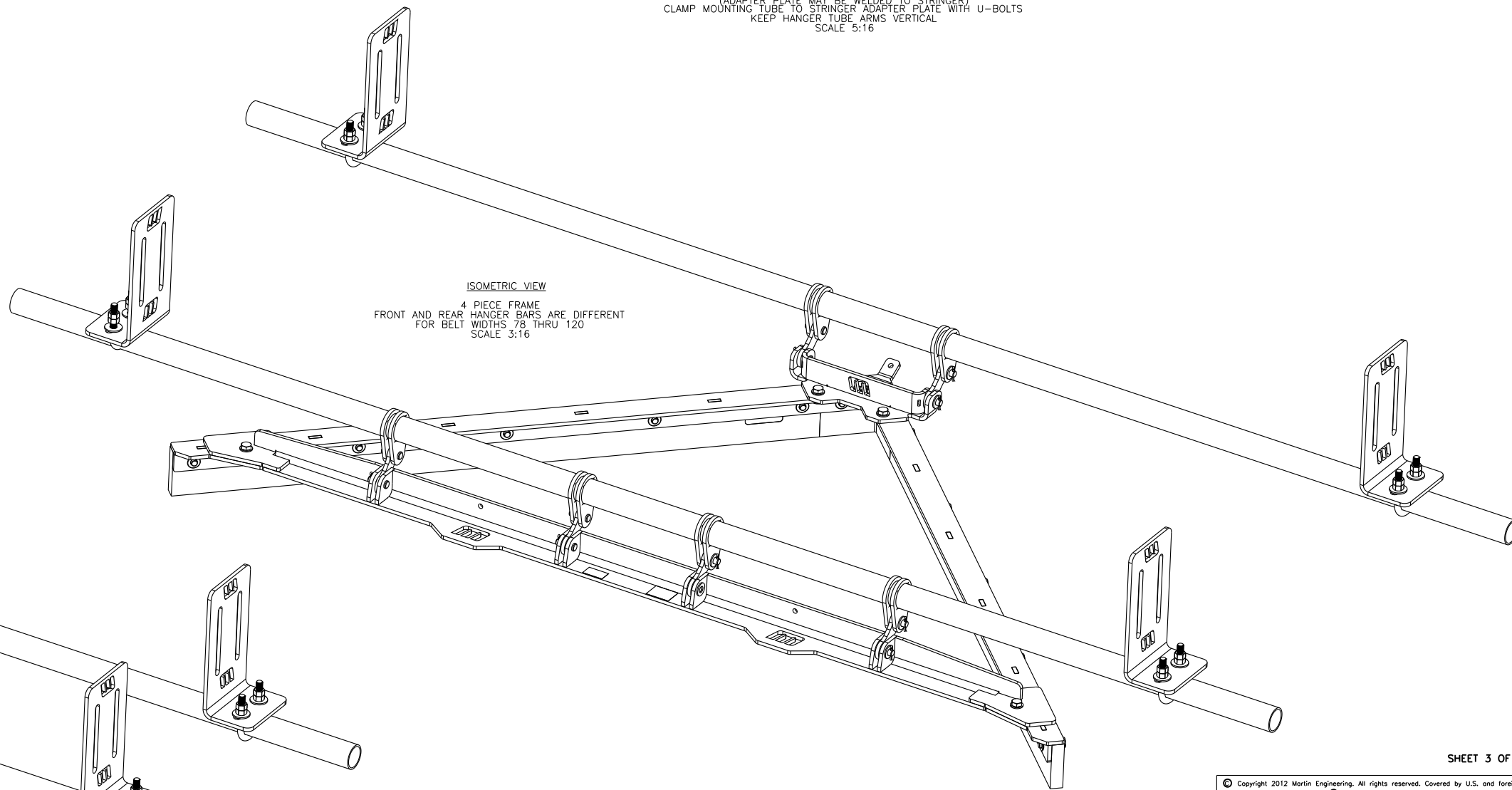
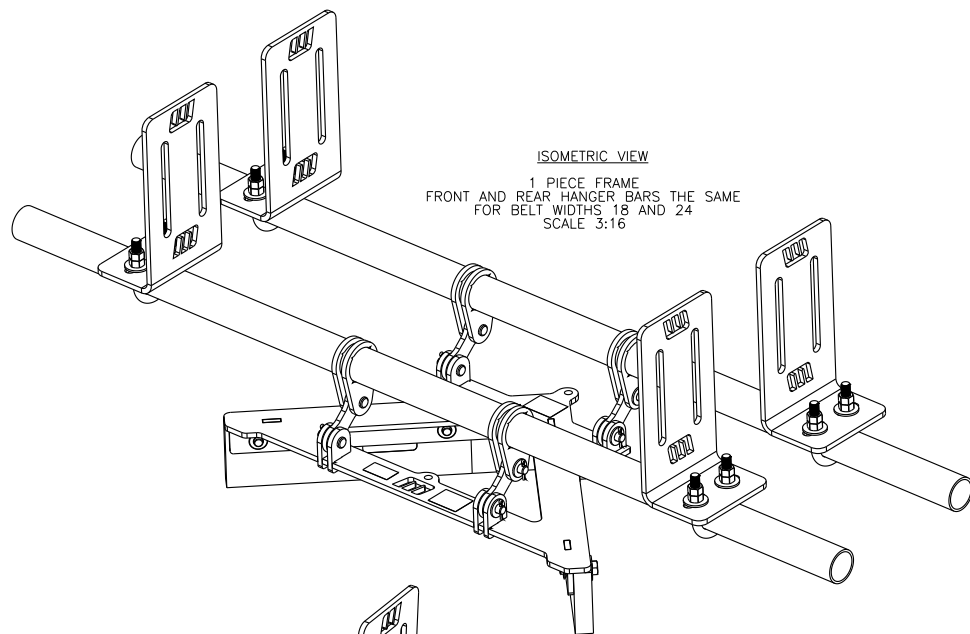
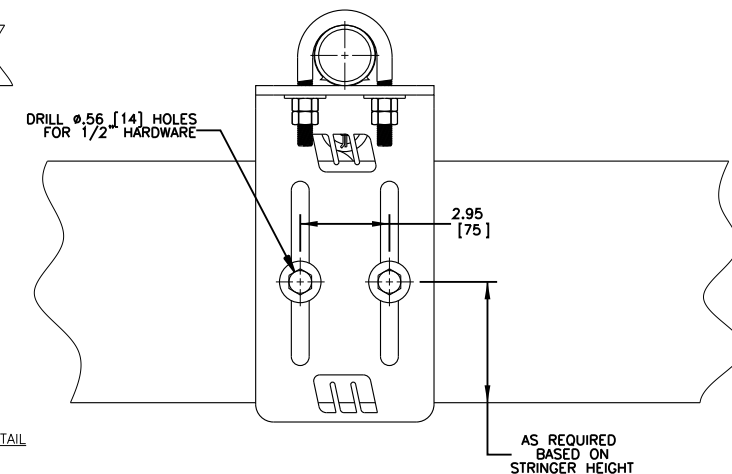


TOP OF STRINGER MOUNTING DETAIL
 BOTTOM OF STRINGER MOUNTING IS SIMILAR
 DRILL HOLES IN STRINGER AS SHOWN
 CLAMP MOUNTING TUBE TO STRINGER WITH U-BOLTS
 KEEP HANGER TUBE ARMS VERTICAL
 STRINGER ADAPTER PLATES ARE NOT USED
 SCALE 5:16



TOP OF STRINGER MOUNTING WITH ADAPTER PLATE DETAIL
 BOTTOM OF STRINGER MOUNTING IS SIMILAR
 DRILL HOLES IN STRINGER AS SHOWN
 (ADAPTER PLATE MAY BE WELDED TO STRINGER)
 CLAMP MOUNTING TUBE TO STRINGER ADAPTER PLATE WITH U-BOLTS
 KEEP HANGER TUBE ARMS VERTICAL
 SCALE 5:16



NOTES:
 1) ALL DIMENSIONS ARE GIVEN IN INCHES (MM).
 2) ALL DIMENSIONS ARE FOR REFERENCE ONLY.

Copyright 2012 Martin Engineering. All rights reserved. Covered by U.S. and foreign patents pending and issued. ® and ™ indicate trademarks of Martin Engineering.		DRAWN RND DATE 11/07/12
MARTIN ENGINEERING-USA NEPONSET, IL USA		CHECKED
TITLE STANDARD V-PLOW ASSEMBLY		ENG. JAP DATE 01/17/13 I.E. JREV DATE 01/22/13 APPROVED SM DATE 02/11/13
DRAWING NUMBER PR12373		SCALE 5:32

NO.	DESCRIPTION	ECN	DATE	BY
	REVISION			