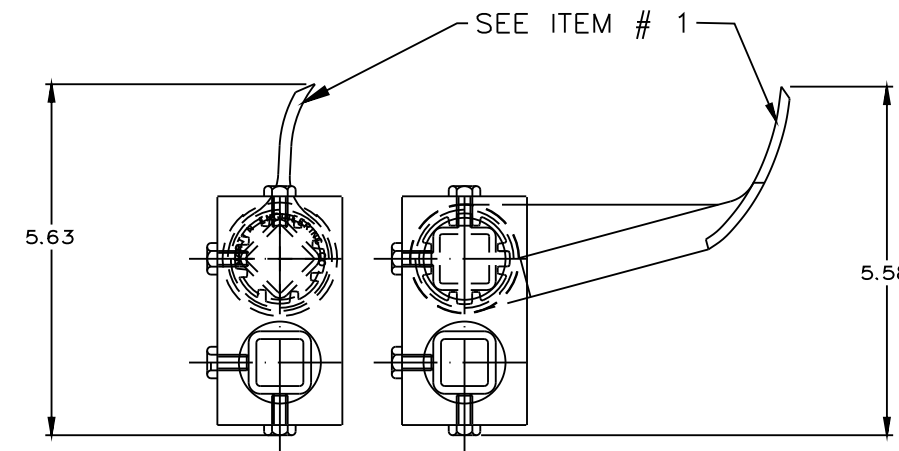
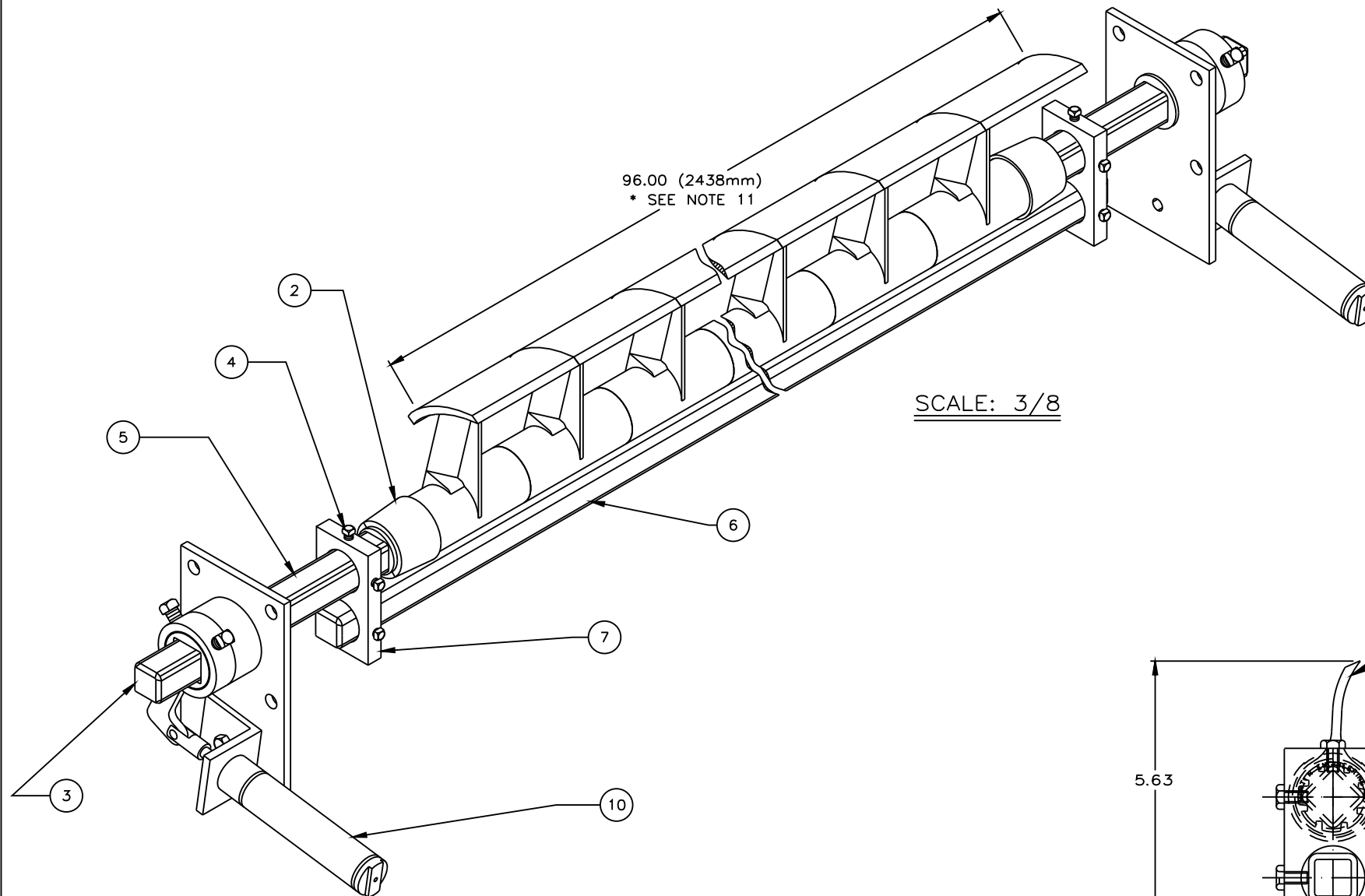


ITEM	QTY.	DESCRIPTION	PART NUMBER
1	17	BLADE PIGLET™ PRIMARY	C-32958-X
1	17	BLADE PIGLET™ PRE-CLEANER BLADE	C-31126-X
2	2	COLLAR PIPE	A-31901-X
3	4	CAP END	A-31833
4	8	SCREW SHS 1/4-20NC X 3/4	A-24298-01
5	8'-0"	MAINFRAME	100411
6	6'-4"	MAINFRAME	100411
7	2	CLAMP MAINFRAME	SP03610-01
NS	8	MANUAL OPERATOR'S	M3215
NS	9	CRATE SHIPPING	SP04189-01
10	2	AIR CYLINDER TENSIONER	31348-SSX

NS = NOT SHOWN



NOTES:

- 1) ALL DIMENSIONS ARE INCHES (MILLIMETERS) AND ARE REFERENCE ONLY.
- 2) THIS DRAWING IS FOR PROPOSAL PURPOSES ONLY. IT IS NOT INTENDED FOR INSTALLATION.
- 3) FOR EASE OF ACCESSIBILITY AND MAINTENANCE, MARTIN RECOMMENDS BOLTING CLEANER TO EXISTING STRUCTURE WHEN APPLICABLE.
- 4) CLEANER SHOWN IN RECOMMENDED WORKING POSITION.
- 5) DUE TO STRUCTURAL TOLERANCES IN THE FIELD DIMENSIONS AND LOCATIONS MAY VARY.
- 6) WHERE EXTREME OR UNUSUAL CONDITIONS EXIST, OR SPECIAL MAINFRAME LENGTHS ARE REQUIRED, CONTACT MARTIN ENGINEERING.
- 7) RADIUS FOR SERVICING THE SECONDARY CLEANER IS 5.79 (147mm).
- 8) REFER TO PROPER OWNER/OPERATOR MANUAL (M3215) FOR COMPLETE INSTALLATION INSTRUCTIONS.
- 9) ALL DIMENSIONS ARE GIVEN IN INCHES (MM).
- 10) ALL DIMENSIONS ARE FOR REFERENCE ONLY.
- \* 11) BLADE COVERAGE ABOVE 96.00 REQUIRE GREATER MAINFRAME SUPPORT. SEE P/N SP04834

© Copyright 2000 Martin Engineering. All rights reserved. Covered by U.S. and foreign patents pending and issued. ® and TM indicate trademarks of Martin Engineering.

**MARTIN ENGINEERING**  
NEPONSET ILLINOIS USA

TITLE	96.00 PIGLET® SECONDARY & PRIMARY CLEANER W/AIR TENSIONER	DRAWN DATE 02/14/00
ENG. DATE		CHECKED
APPROVED DATE		SCALE 1/2

NO.	DESCRIPTION	DATE	BY
	REVISION		

DRAWING NUMBER S31126  
L: \SAL\S31126