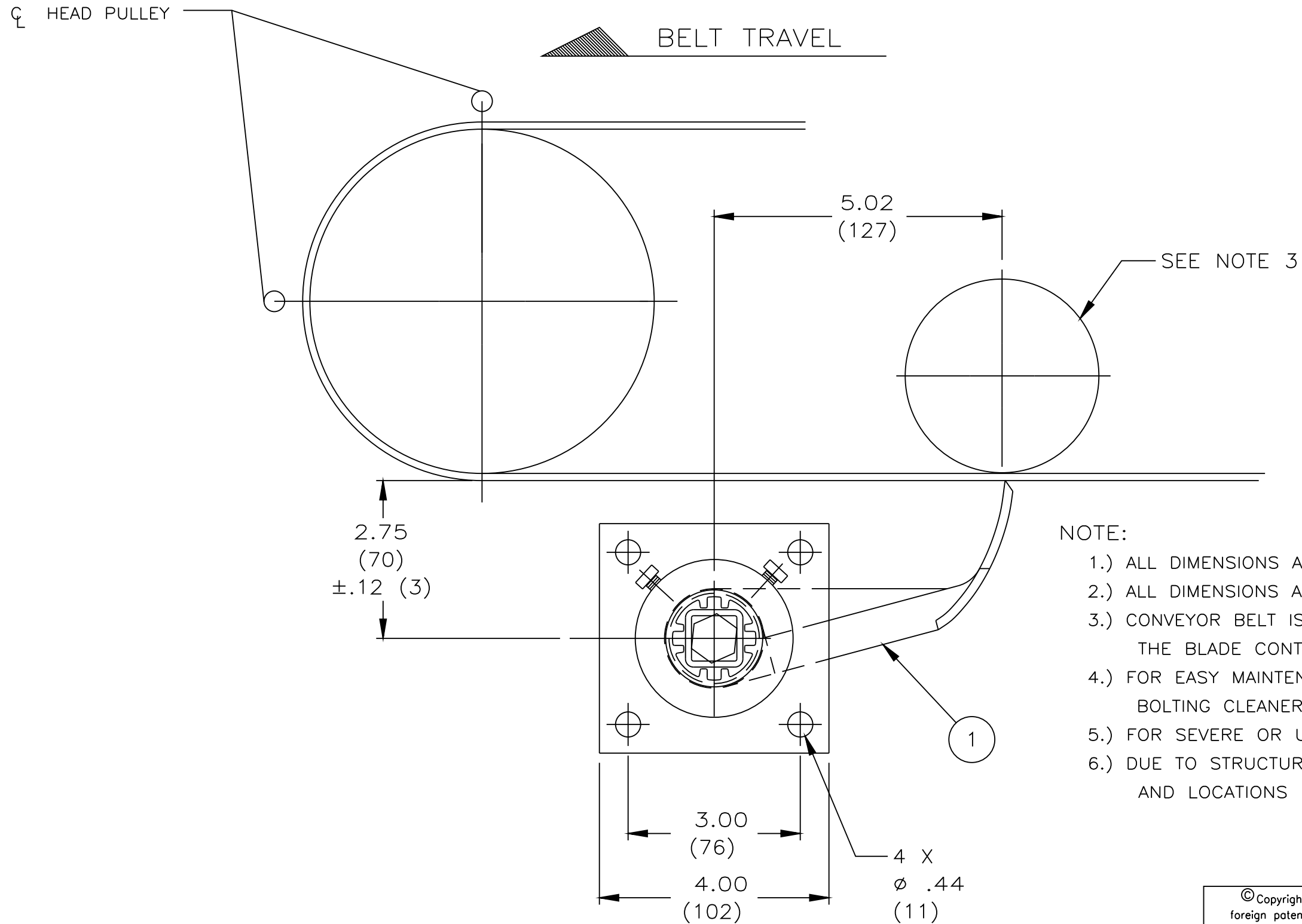


ITEM	QTY.	DESCRIPTION	PART NO.
1	1	PIGLET™ SECONDARY ASSEMBLY W./INT. TENS.	33480-XXX



NOTE:

- 1.) ALL DIMENSIONS ARE GIVEN IN INCHES.
- 2.) ALL DIMENSIONS ARE ±.06 UNLESS OTHERWISE SPECIFIED.
- 3.) CONVEYOR BELT IS TO HAVE FIRM BACKING WHERE THE BLADE CONTACTS THE BELT. (I.E. SNUB PULLEY)
- 4.) FOR EASY MAINTENANCE AND ACCESSIBILITY MARTIN RECOMMENDS BOLTING CLEANERS IN POSITION WHEN APPLICABLE.
- 5.) FOR SEVERE OR UNUSUAL CONDITIONS, CONTACT MARTIN ENG. CO.
- 6.) DUE TO STRUCTURAL TOLERANCES IN THE FIELD, DIMENSIONS AND LOCATIONS MAY VARY.

© Copyright 2001 Martin Engineering Company. All rights reserved. Covered by U.S. and foreign patents pending and issued.® and TM indicate trademarks of Martin Engineering Company.

MARTIN ENGINEERING COMPANY
NEPONSET, ILLINOIS USA



TITLE	INSTALLATION INFORMATION PIGLET SECONDARY WITH INTERNAL SPRING TENSIONER	DRAWN KJC DATE 01/17/01
		CHECKED
DRAWING NO.	S31340-2	ENG. DATE
		APPROVED DATE
		SCALE HALF

NO.	DESCRIPTION	DATE	BY
	REVISION		