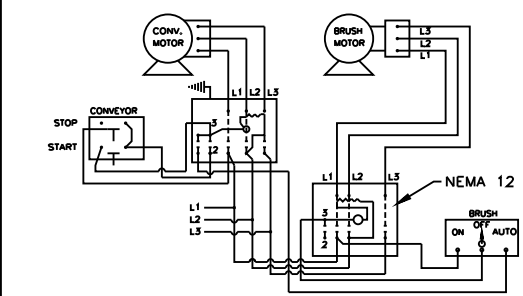


ASSEMBLY PART NO.	BELT WIDTH	BRUSH LENGTH	SHAFT LENGTH
32875-18XX	18.00 (400-500)	15.00 (381)	42.00 (1066)
32875-24XX	24.00 (500-600)	21.00 (533)	48.00 (1219)
32875-30XX	30.00 (650-800)	27.00 (686)	54.00 (1317)
32875-36XX	36.00 (800-1000)	33.00 (838)	60.00 (1529)
32875-42XX	42.00 (1000-1200)	38.00 (965)	66.00 (1676)
32875-48XX	48.00 (1200-1400)	44.00 (1118)	72.00 (1829)
32875-54XX	54.00 (1400-1600)	50.00 (1270)	78.00 (1981)
32875-60XX	60.00 (1600-1800)	56.00 (1422)	84.00 (2134)
32875-72XX	72.00 (1800-2000)	68.00 (1727)	96.00 (2438)

ITEM	QTY.	DESCRIPTION	PART NUMBER
1	1	STD #10.00 SPIRAL BRUSH CLEANER	SEE CHART
2	1	RUBBER ACCESS DOOR ASM 12X14	CYAR-1214
3	1	MOUNT BRACKET FOR STD BRUSH CLNR	32880

ASSEMBLY PART NO.	BRISTLE DIAMETER	BRISTLE MATERIAL
32875-XXN1	Ø .014 (.35)	NYLON
32875-XXN2	Ø .020 (.51)	NYLON
32875-XXN3	Ø .028 (.71)	NYLON
32875-XXP1	Ø .014 (.35)	POLYPROPYLENE
32875-XXP2	Ø .020 (.51)	POLYPROPYLENE
32875-XXP3	Ø .028 (.71)	POLYPROPYLENE
32875-XXP4	Ø .038 (.96)	POLYPROPYLENE

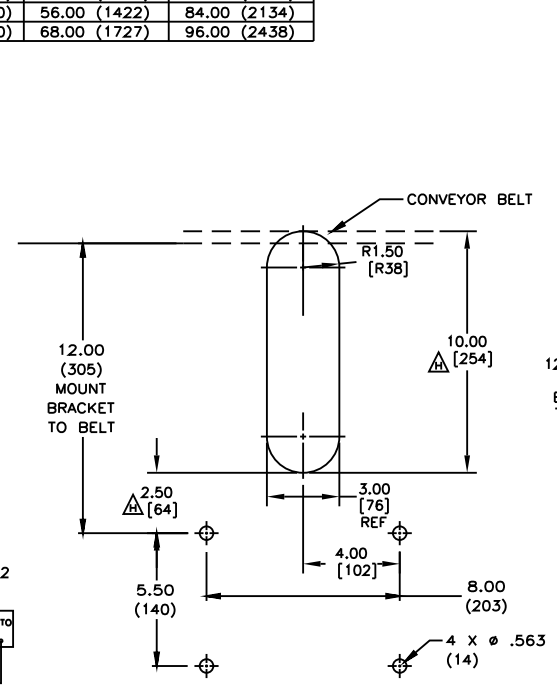


**TO OPERATE CONVEYOR AND BRUSH CLEANER:**  
BRUSH CONTROL AUTO

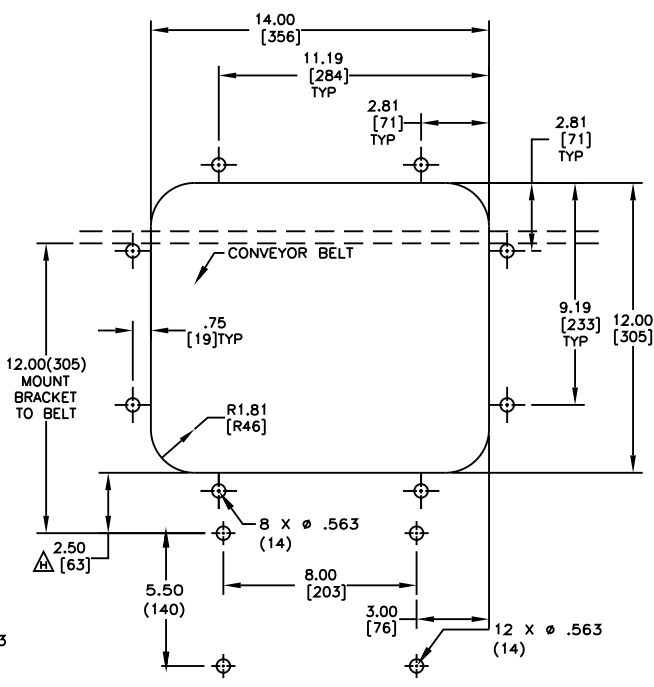
**TO OPERATE CONVEYOR ONLY:**  
BRUSH CONTROL - OFF pos.

**TO OPERATE BRUSH CLEANER ONLY:**  
BRUSH CONTROL - ON pos.

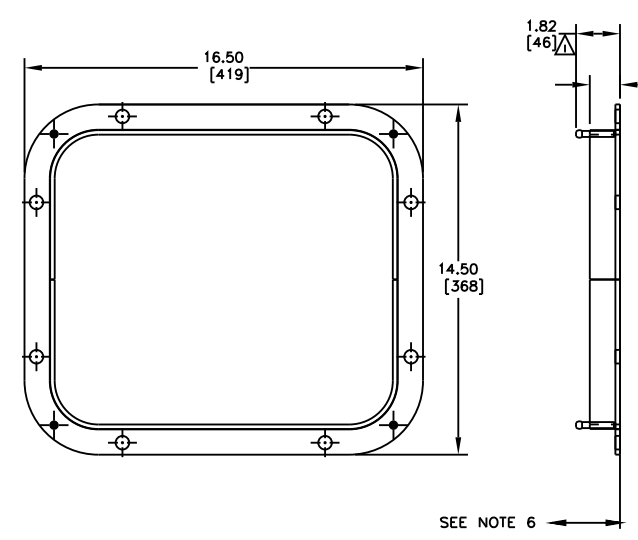
TYPICAL WIRING DIAGRAM  
(CONTROLS NOT INCLUDED)



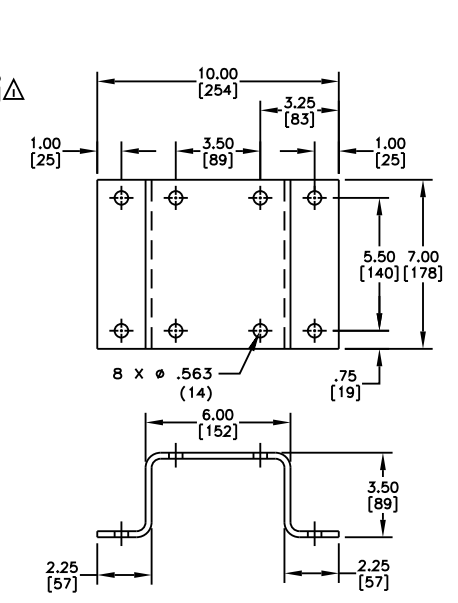
FAR SIDE CHUTE CUTOUT DETAIL  
(WHEN ACCESS DOOR IS NOT USED)



OPERATORS SIDE CHUTE CUTOUT DETAIL  
(WHEN ACCESS DOOR IS USED WITH MOUNT BRACKET)



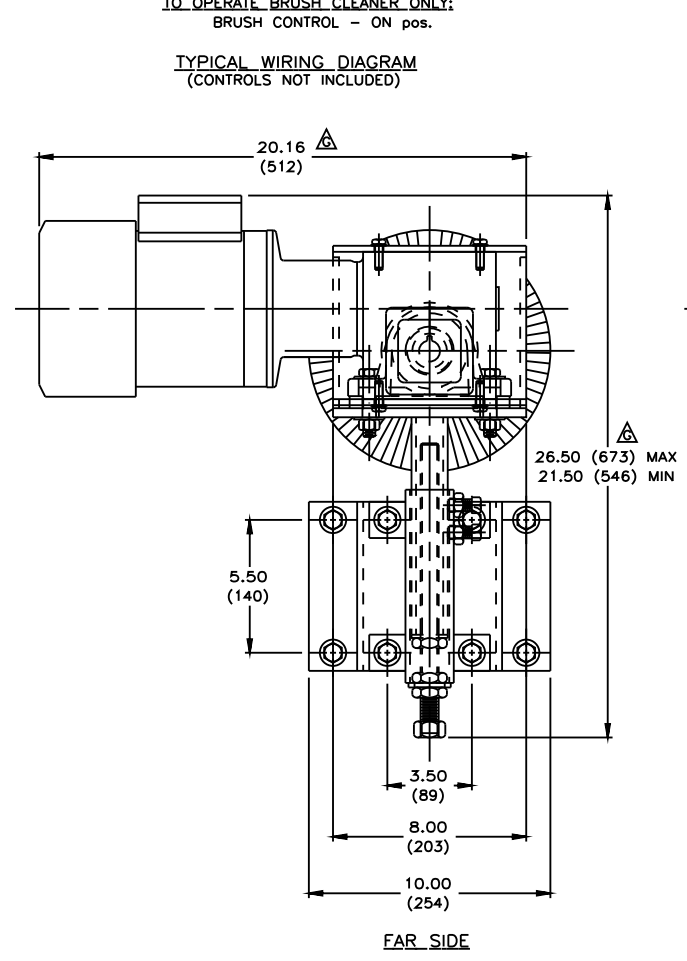
12.00 X 14.00 ACCESS DOOR DETAIL  
27658-1214  
(OPTIONAL RECOMMENDED EQUIPMENT)  
SEE NOTE 7



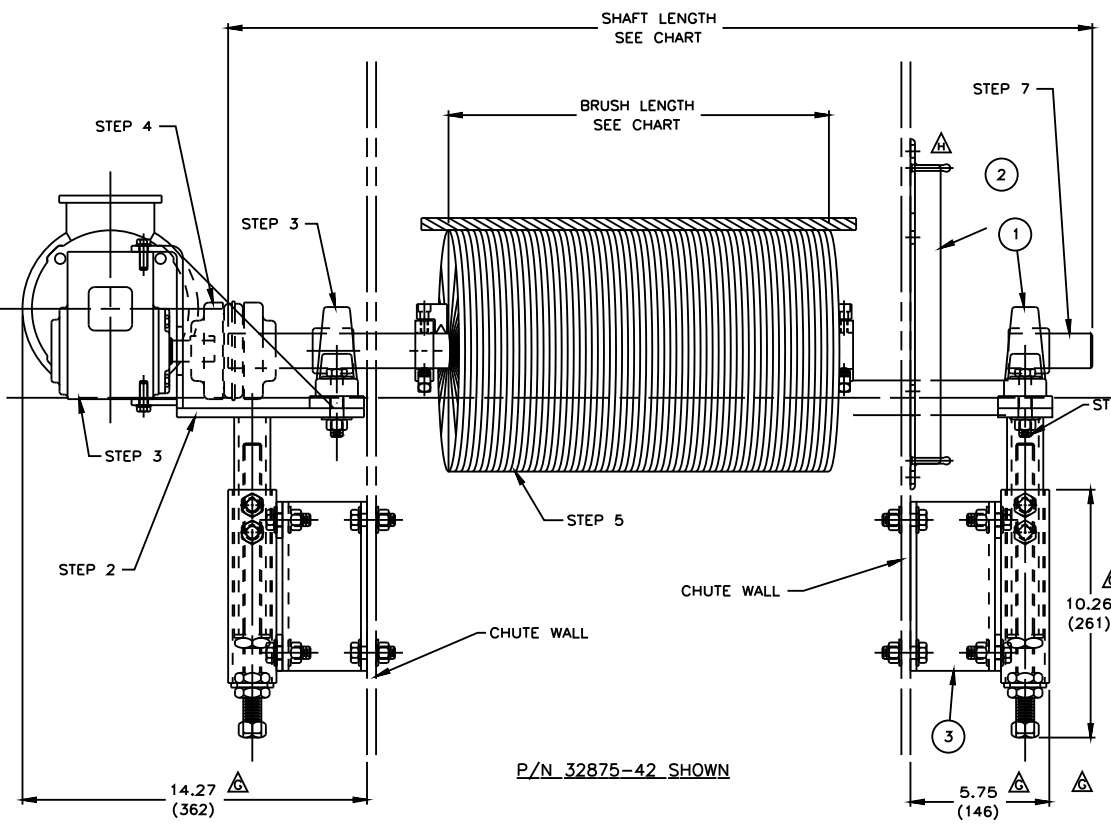
BRUSH CLEANER MOUNT BRACKET  
32880  
(RECOMMENDED OPTIONAL EQUIPMENT)  
USED IN CONJUNCTION WITH CYA® DOOR  
SEE NOTE 7

- NOTES:**
- 1) ALL DIMENSIONS ARE GIVEN IN INCHES (MM).
  - 2) ALL DIMENSIONS ARE FOR REFERENCE PURPOSES UNLESS OTHERWISE SPECIFIED.
  - 3) IN ASSEMBLY PART NUMBER, THE FIRST TWO X'S INDICATE BELT WIDTH, THE THIRD X INDICATES BRISTLE MATERIAL, AND THE LAST X INDICATES THE BRISTLE DIAMETER.  
EXAMPLE: 32875-24P3 INDICATES:  
24.00 (610) BELT WIDTH  
POLYPROPYLENE MATERIAL  
Ø.028 (.71) BRISTLE DIAMETER
  - 4) BRUSH KEYSHAFT CAN BE CUT IN THE FIELD IF REQUIRED.
  - 5) A COPY OF DRAWING S32909 IS TO BE INCLUDED WITH ASSEMBLY IN ADDITION TO OR AS A REPLACEMENT OF THE OPERATOR'S MANUAL.
  - 6) WHEN USING AN ACCESS DOOR, A MINIMUM OF 2.50 (64) IS REQUIRED FOR REMOVAL OF DOOR.
  - 7) MARTIN ENGINEERING RECOMMENDS THE USE OF AN ACCESS DOOR AND MOUNT BRACKET FOR EASY ACCESSIBILITY AND MAINTENANCE.
  - 8) BRUSH TO ROTATE IN OPPOSITE DIRECTION OF BELT TRAVEL.

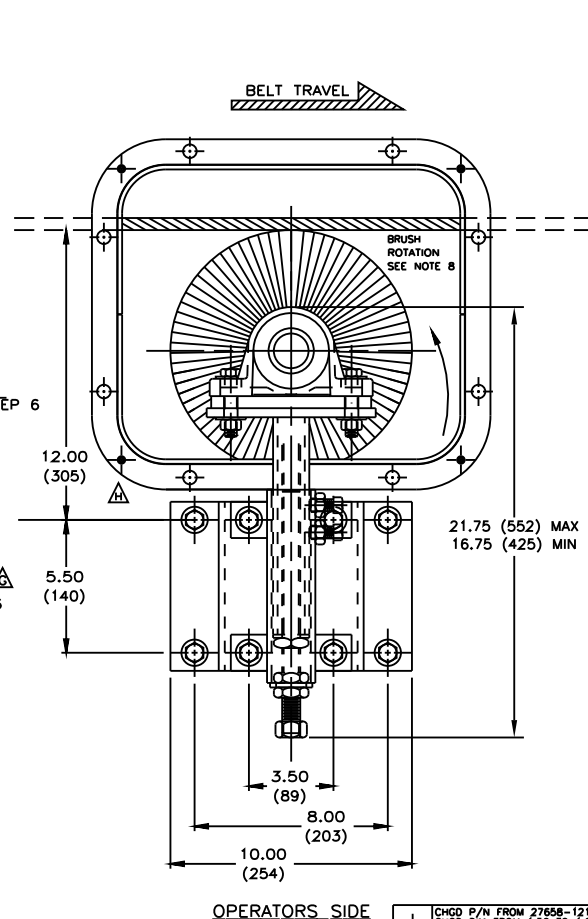
- INSTALLATION INSTRUCTIONS:**
- STEP 1) MAKE CUTOUPS IN CHUTE FOR OPERATORS SIDE AND FAR SIDE. (SEE CUTOUP DETAILS)
  - STEP 2) INSTALL MOTOR MOUNT TO CHUTE WALL ON FAR SIDE.
  - STEP 3) ATTACH MOTOR TO MOTOR MOUNT AND INSERT BRUSH SHAFT INTO BEARING.
  - STEP 4) ATTACH COUPLING TO MOTOR SHAFT AND BRUSH SHAFT.
  - STEP 5) CENTER BRUSH UNDER BELT AND LOCK BRUSH TO SHAFT USING HUBS AND BRUSH CLAMPS.
  - STEP 6) ATTACH OPERATOR'S SIDE MOUNT BY SLIDING MOUNT OVER BRUSH SHAFT AND ATTACH TO CHUTE WALL. (IF OPTIONAL ACCESS DOOR IS USED, MOUNT BRACKET P/N: 32880 TO BE USED IN CONJUNCTION WITH OPERATOR'S SIDE MOUNT.)
  - STEP 7) LOCK BEARINGS ONTO BRUSH SHAFT AND CUT EXCESS SHAFT ON OPERATOR'S SIDE.



FAR SIDE



P/N 32875-42 SHOWN



OPERATORS SIDE

NO.	DESCRIPTION	ECN	DATE	BY
1	CHGD P/N FROM 27658-1214 TO CYAR-1214 IN BOM/CHGD DIM FROM 1.50 TO 1.25 & 1.63 TO 1.82	12561	07/01/09	MJB
H	UPDATED DRAWING PICTORALLY/CHGD DIM'S FROM 6.00 TO 10.00, 5 TO 2.5, 4.9 TO 2.5	12380	07/11/08	NRV
G	REDRAWN/ REDESIGNED/UPDATED P/N 32875-42 PICTORALLY/CHGD "26.00-20.00 MAX-MIN" DIM TO "26.50-21.50 MAX-MIN"/CHGD 17.30 DIM TO 20.16, 15.00 DIM TO 14.27, 10.00 DIM TO 10.26/REMOVED 6.50 DIM/ADDED 5.75 DIM	9401	12/07/99	JNH

© Copyright 2008 Martin Engineering. All rights reserved. Covered by U.S. and foreign patents pending and issued. ® and TM indicate trademarks of Martin Engineering.

**MARTIN ENGINEERING**  
NEPONSET ILLINOIS USA

TITLE: MOUNTING DETAIL & MNT LOCATIONS FOR STD #10.00 BRUSH CLNR

NO. 32875-42

DESCRIPTION: REVISION

ECN: SUPERCEDES SAME DATED 05/13/92

DATE: 12/07/99

BY: JNH

SALES DRAWING

DATE: 01/19/00

DATE: 01/19/00

DATE: 01/19/00

SCALE: 1 = 4