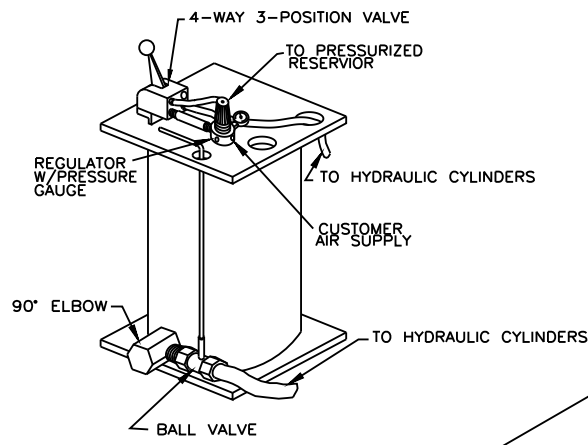


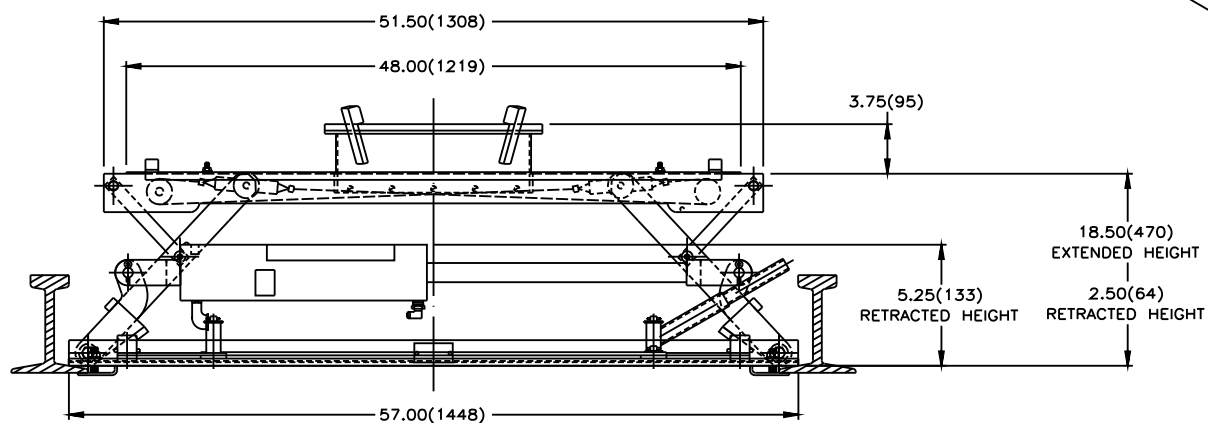
ITEM	QTY.	DESCRIPTION	PART NUMBER
1	1	SBLR-18 BOOT-LIFT®	D-19830
2	1	ALIGNER ASSEMBLY	C-17326



SBLR-18 CONSOLE
NOT TO SCALE

30.44(773) ±.12(3)

- NOTE:
1. WITH THE BOOT-LIFT® ALREADY INSTALLED, PLACE THE ALIGNER UNIT ON THE SIDE OF THE BOOT-LIFT® THAT WILL ALLOW THE MOST ROOM FOR THE INSTALLATION. THIS SHOULD HAVE BEEN DETERMINED WHEN THE PIT OPENING WAS CONSTRUCTED.
 2. CONNECT THE ALIGNER TO THE BOOT-LIFT® BY SLIPPING THE FINGER CLAMPS OVER THE BOOT-LIFT® FRAME.
 3. ADJUST THE ALIGNER FRAME SO THAT IT IS IN THE CENTER OF ITS TRAVEL AND CLAMP THE ALIGNER BRACKETS TO THE RAILS.
 4. TO ADJUST THE BOOT-LIFT® SLIP THE HANDLE IN THE SOCKET AND MOVE IT PARALLEL TO THE TRACKS.
 5. THE ALIGNER ALLOWS FOR 3" OF TRAVEL IN EITHER DIRECTION.
 6. REFERENCE BOOT-LIFT® O/O MANUAL(P/N M3198) FOR INSTALLATION DETAILS.
 7. ALL DIMENSIONS ARE FOR REFERENCE ONLY.



END VIEW
SCALE: 1/8" = 1"

NO.				DESCRIPTION	ECN	DATE	BY	DRAWING NUMBER	D-S33942	MD0204
REVISION										

© Copyright 1994 Martin Engineering. All rights reserved. Covered by U.S. and foreign patents pending and issued. ® and TM indicate trademarks of Martin Engineering.

MARTIN ENGINEERING

NEPONSET ILLINOIS USA

TITLE

SBLR-18 BOOT-LIFT® WITH BOOT-LIFT®ALIGNER

DRAWN C.A.N. DATE 05/20/94

CHECKED

ENG. DATE

APPROVED DATE

SCALE 3/16