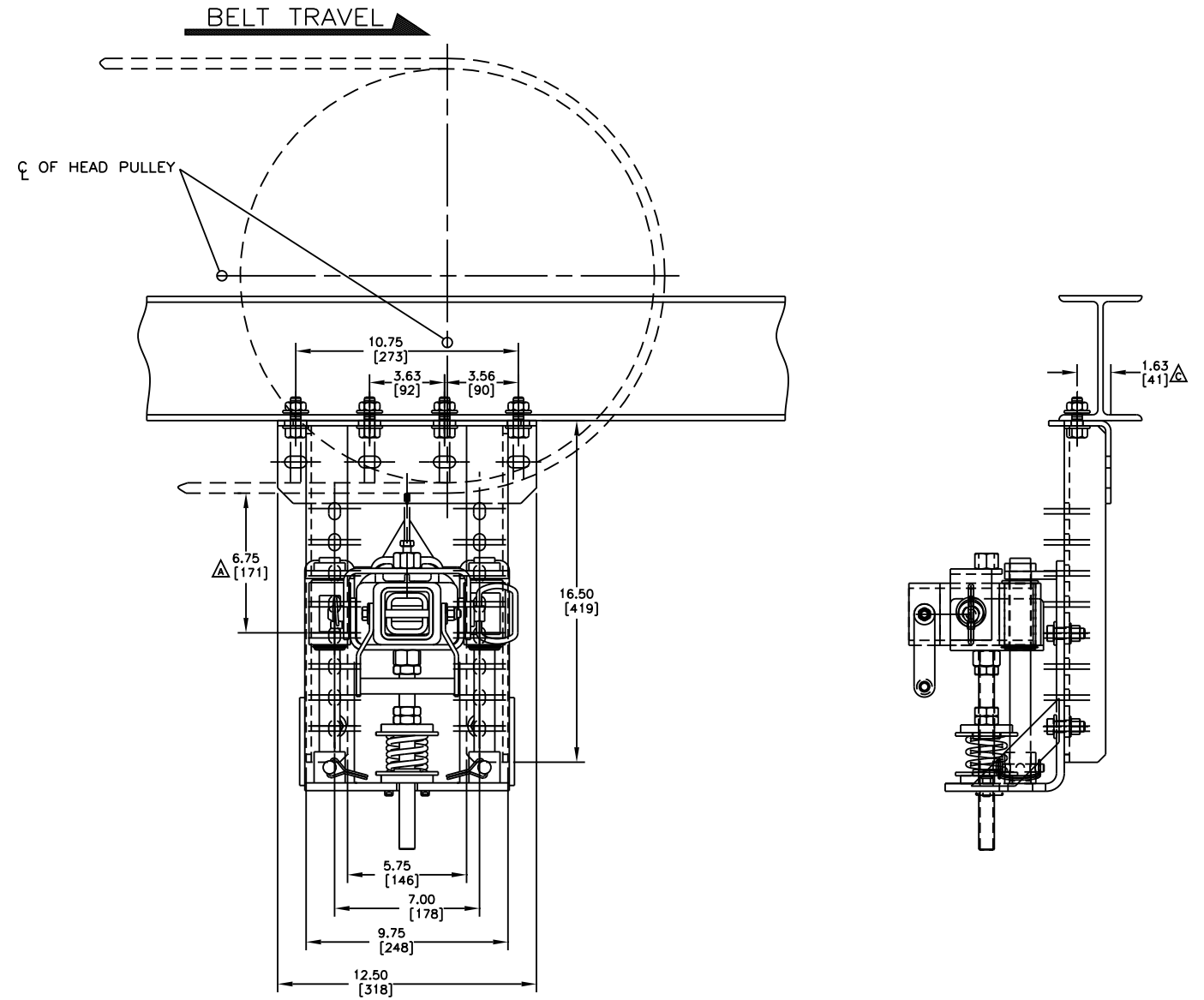


XHD QC#1 PRE WITH HANGER MOUNT \* - THIS HANGER MOUNT CAN BE USED FOR THE XHD SPRING TENSIONER ONLY. HANGER MOUNT P/N 27382-SL.



DT2S REVERSING WITH HANGER MOUNT \* - THIS HANGER MOUNT CAN BE USED FOR THE DT2S REVERSING CLEANER. HANGER MOUNT P/N 33282.

NOTES:

- 1) ALL DIMENSIONS ARE GIVEN IN INCHES [MM].
- 2) ALL DIMENSIONS ARE FOR REFERENCE ONLY.
- 3) WHERE EXTREME OR UNUSUAL CONDITIONS EXIST, OR SPECIAL MAINFRAME LENGTHS ARE REQUIRED, CONSULT MARTIN ENGINEERING FOR ASSISTANCE.
- 4) TENSIONER MAY BE BOLTED OR WELDED IN PLACE. MARTIN ENGINEERING RECOMMENDS BOLTING WHEN APPLICABLE FOR EASIER MAINTENANCE AND ACCESSIBILITY.
- 5) REFER TO OWNER/OPERATOR MANUALS OF SPECIFIC CLEANERS FOR INSTALLATION DETAILS.
- 6) AFTER INSTALLATION OF TENSIONER, EXCESS LENGTH OF HANGER MOUNT CAN BE CUT OFF.



© Copyright 2008 Martin Engineering. All rights reserved. Covered by U.S. and foreign patents pending and issued. ® and TM indicate trademarks of Martin Engineering.

**MARTIN ENGINEERING** NEPONSET ILLINOIS USA  
 DRAWN LJB DATE 07/22/96  
 CHECKED

TITLE HANGER MOUNT DETAIL  
 ENG. JLF DATE 07/30/08  
 I.E. JLR DATE 07/31/08  
 APPROVED SLM DATE 07/30/08  
 SCALE 1/4

NO.	DESCRIPTION	ECN	DATE	BY
C	CHGD DIM FROM 1.50 TO 1.63	12625	04/28/09	MJB
B	REMOVED NOTE	12408	08/05/08	MJB
A	UPDATED CLNRS & MOUNT PICTORIALY/CHGD DIMS FROM 5.88 TO 6.75, .563 TYP TO .563 X .88 TYP, 1.25 TO 1.56	12365	07/09/08	NRV
REVISION		AutoCAD		

DRAWING NUMBER L:\SAL\S3468102 S34681-02