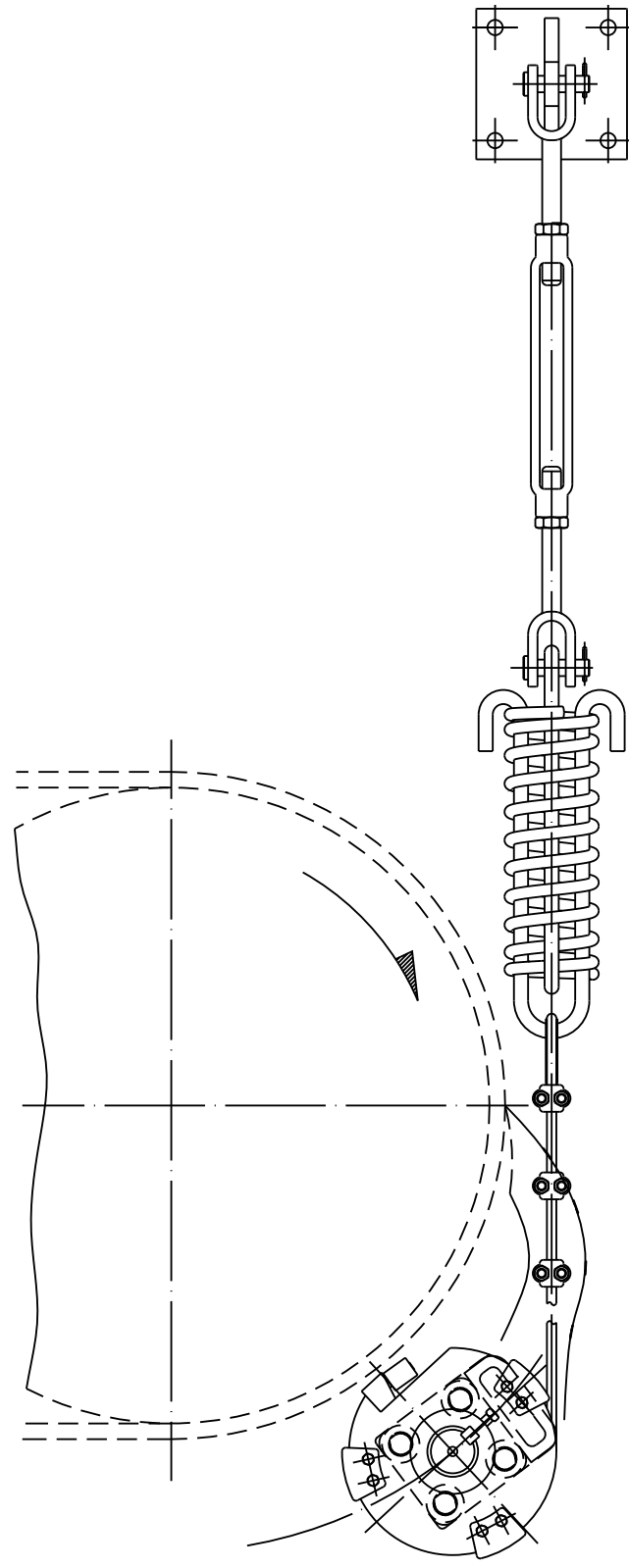
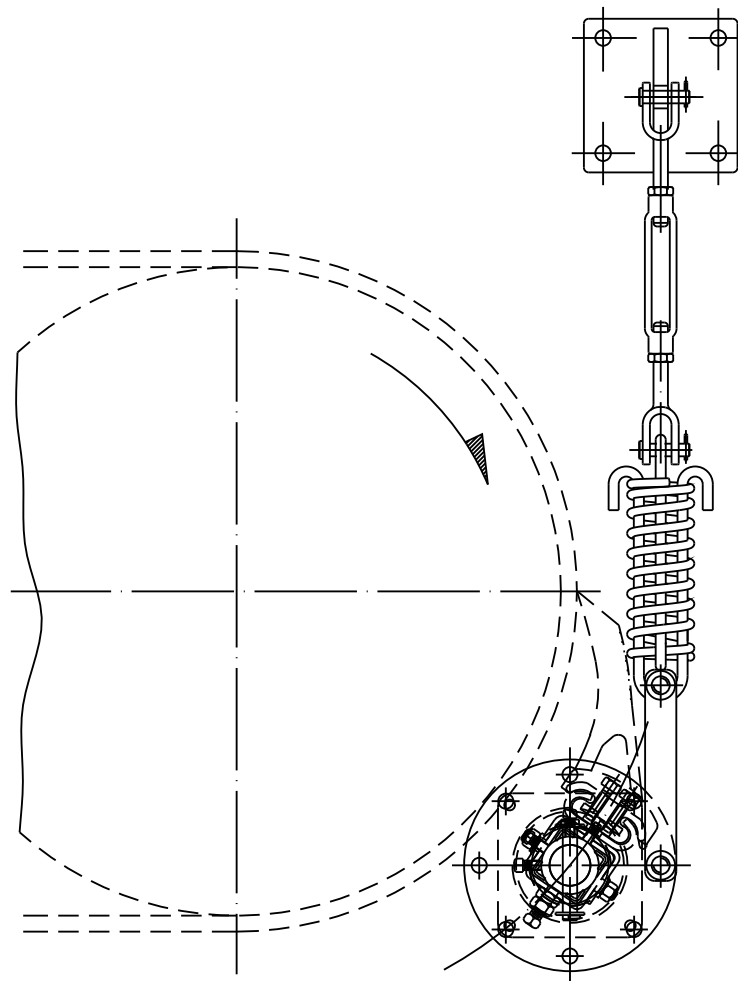


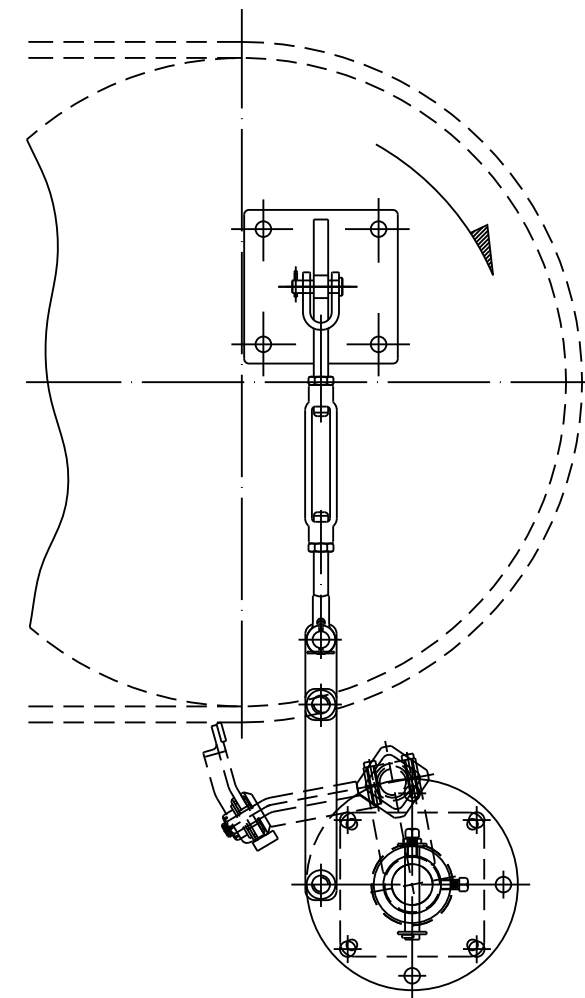
SHD FLANGE MOUNT
LINKAGE TENSIONER
USED EXCLUSIVELY WITH
SHD-600 & SHD-1200 PRECLEANERS



P/N 35600-XF
SHD FLANGE MOUNT
CABLE TENSIONER
USED EXCLUSIVELY WITH
SHD-600 & SHD-1200 PRECLEANERS



P/N 35978-XXX
XHD TURNBUCKLE
SPRING TENSIONER
FOR USE WITH XHD PRECLEANERS
(XHD DIRT TRACKER SHOWN)



P/N 35966
XHD TURNBUCKLE
LINKAGE TENSIONER
FOR USE WITH XHD SECONDARY CLEANERS
(XHD IN-LINE SECONDARY SHOWN)

© Copyright 1999 Martin Engineering. All rights reserved. Covered by U.S. and foreign patents pending and issued. ® and TM indicate trademarks of Martin Engineering.

MARTIN ENGINEERING NEPONSET ILLINOIS USA

TITLE	SHD FLANGE MOUNT LINKAGE TENSIONER SHD FLANGE MOUNT CABLE TENSIONER XHD TURNBUCKLE SPRING TENSIONER XHD TURNBUCKLE LINKAGE TENSIONER IDENTIFICATION DETAILS	DRAWN <i>MJT</i> DATE 09/15/99 CHECKED ENG. <i>KJC</i> DATE 10/08/99 APPROVED <i>RTS</i> DATE 10/08/99
-------	---	--

NO.	DESCRIPTION	ECN	DATE	BY
	REVISION			

L:\SAL\S35999 S35999 SCALE 3/16