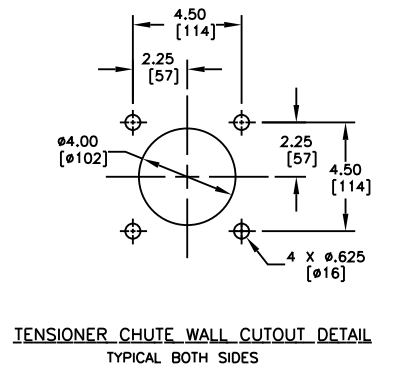
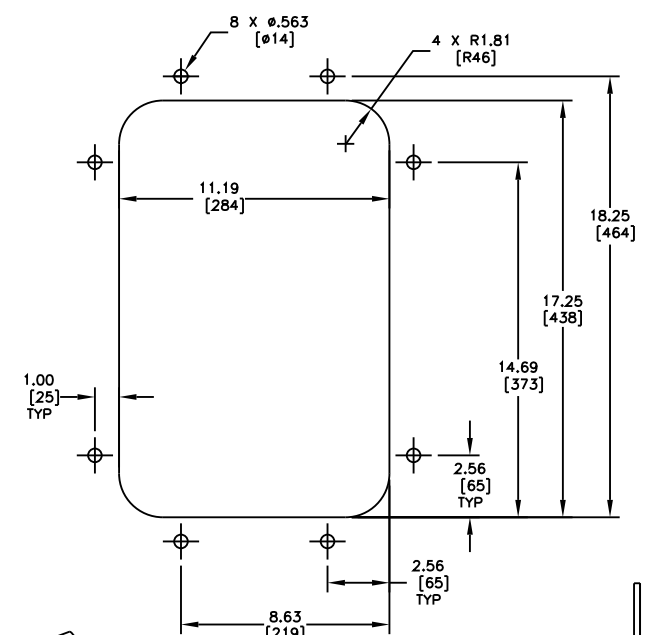
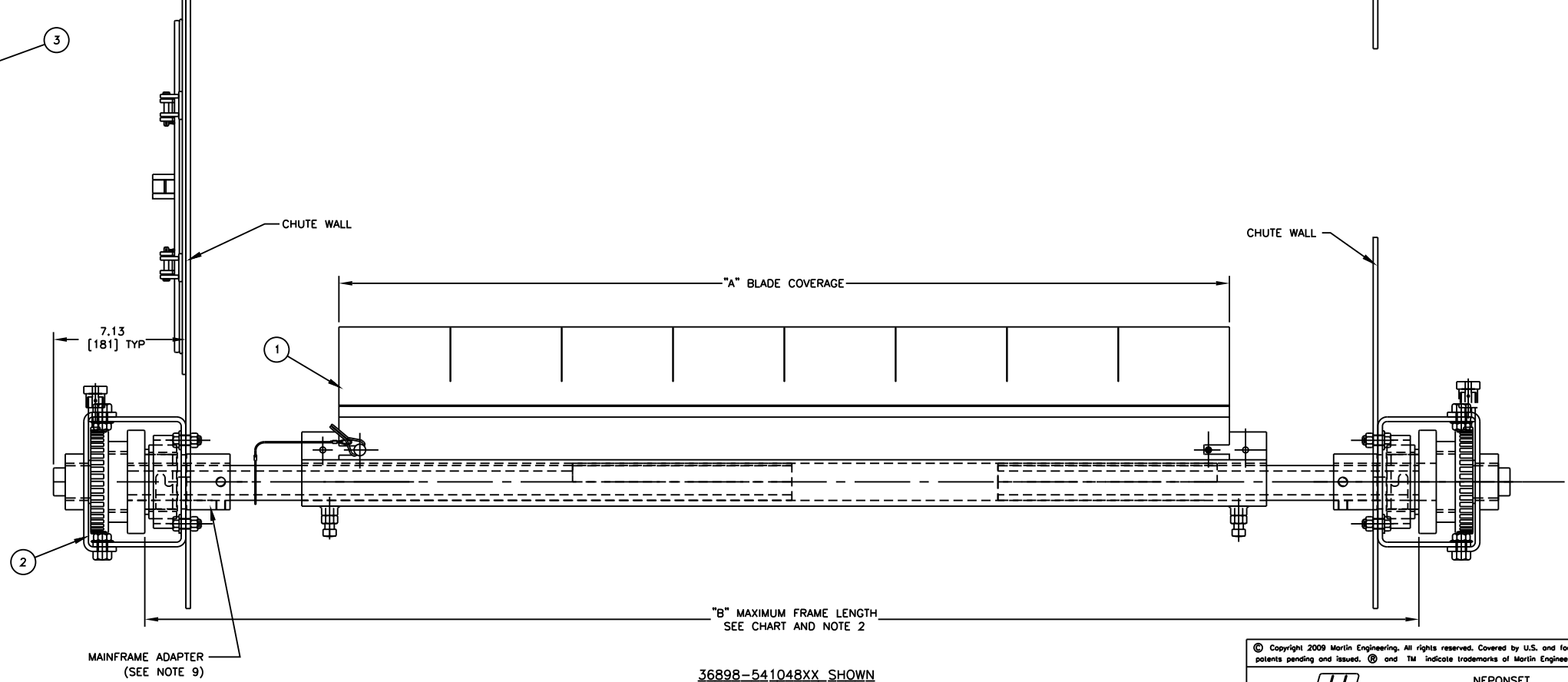
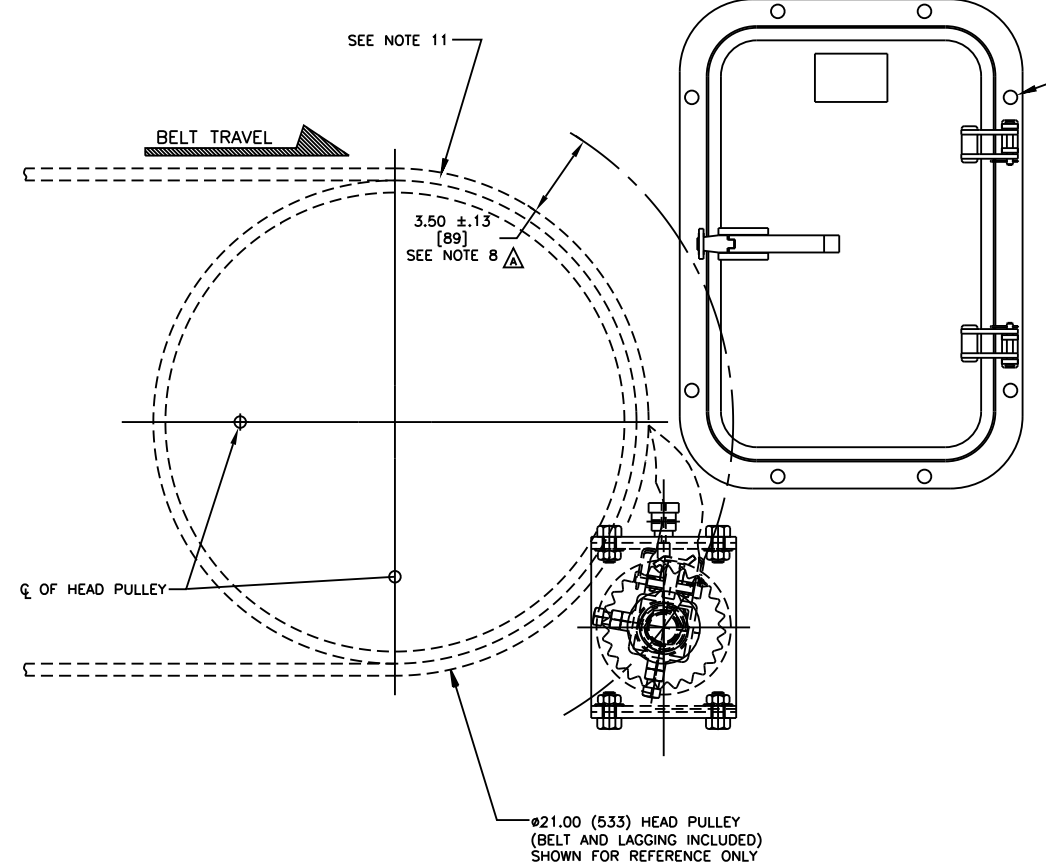
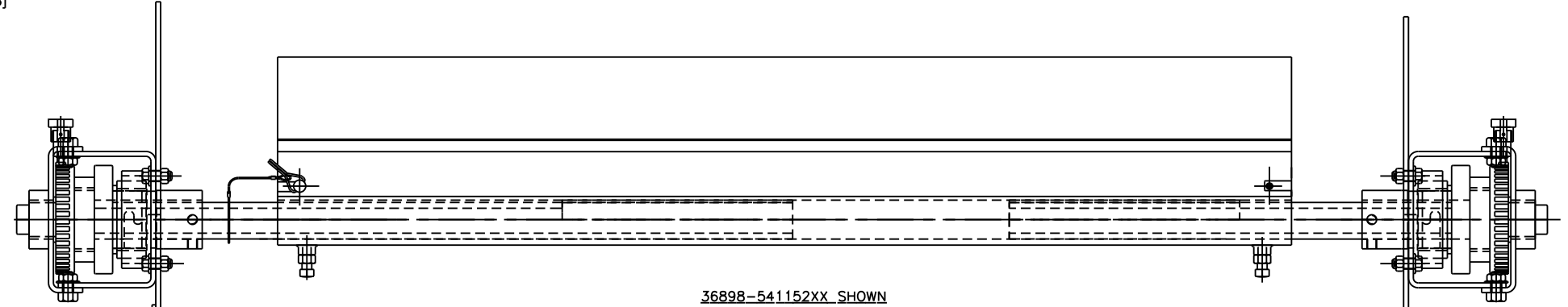
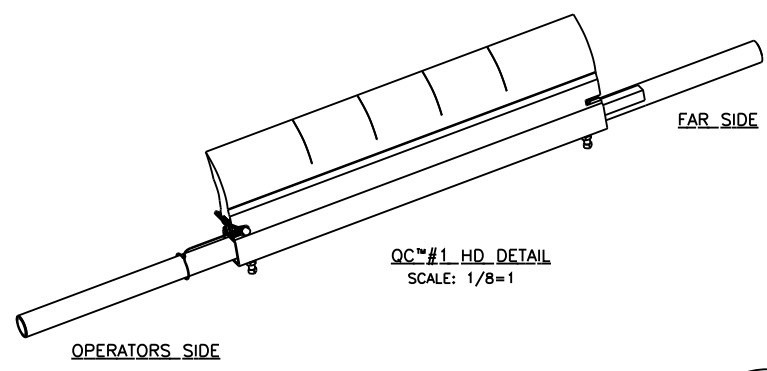


ITEM	QTY.	DESCRIPTION	PART NUMBER
1	1	MARTIN® QC™ #1 HD BLADE MAINFRAME ASM	36898-XXXXXX
2	1	MARTIN® TWIST™ DUAL TENSIONER ASM	31443-2R
3	1	MARTIN® ACCESS STEEL DOOR ASM	CYA-1218

PART NUMBER	BELT WIDTH	DIMENSION "A" BLADE COVERAGE	DIMENSION "B" FRAME LENGTH
36898-54XX48XX	54.00 [1400-1600]	48.00 [1219]	86.00 [2184]
36898-54XX52XX	54.00 [1400-1600]	52.00 [1321]	86.00 [2184]
36898-60XX54XX	60.00 [1600-1800]	54.00 [1372]	98.00 [2489]
36898-60XX58XX	60.00 [1600-1800]	58.00 [1473]	98.00 [2489]
36898-66XX60XX	66.00 [1600-1800]	60.00 [1524]	104.00 [2642]
36898-66XX64XX	66.00 [1600-1800]	64.00 [1626]	104.00 [2642]
36898-72XX66XX	72.00 [1800-2000]	66.00 [1676]	110.00 [2794]
36898-72XX70XX	72.00 [1800-2000]	70.00 [1778]	110.00 [2794]
36898-78XX72XX	78.00 [1800-2000]	72.00 [1829]	117.00 [2972]
36898-78XX76XX	78.00 [1800-2000]	76.00 [1930]	117.00 [2972]
36898-84XX78XX	84.00 [2000-2200]	78.00 [1981]	123.00 [3124]
36898-84XX82XX	84.00 [2000-2200]	82.00 [2083]	123.00 [3124]
36898-96XX90XX	96.00 [2200-2400]	90.00 [2286]	135.00 [3429]
36898-96XX94XX	96.00 [2200-2400]	94.00 [2388]	135.00 [3429]



- NOTES:
- 1) ALL DIMENSIONS ARE GIVEN IN INCHES (MM) AND ARE FOR REFERENCE ONLY.
 - 2) FRAME IS ADJUSTABLE TO DESIRED LENGTH.
 - 3) FIRST XX INDICATES BELT WIDTH. THIRD X INDICATES BLADE WITHOUT SLITS. FOURTH X INDICATES BLADE WITHOUT SEGMENTS. THE NEXT TWO XX'S INDICATE BLADE WIDTH. THE REMAINING X'S INDICATE BLADE COLOR.
EX: 36898-540048 = 54" BELT WITH 48" ORANGE BLADE WITH SLITS AND SEGMENTS.
36898-541052GR = 54" BELT WITH 52" GREEN BLADE W/O SLITS WITH SEGMENTS.
36898-540148BR = 54" BELT WITH 48" BROWN BLADE WITH SLITS W/O SEGMENTS.
36898-541152 = 54" BELT WITH 52" ORANGE BLADE W/O SLITS OR SEGMENTS.
 - 4) FOR BELT WIDTHS 48.00 (1219) AND UNDER, MARTIN® ENGINEERING RECOMMENDS USING A TWIST TENSIONER ASSEMBLY (P/N 31443). SEE S37250-S.
 - 5) WHERE EXTREME OR UNUSUAL CONDITIONS EXIST, OR SPECIAL MAINFRAME LENGTHS ARE REQUIRED, CONSULT MARTIN ENGINEERING FOR ASSISTANCE.
 - 6) TWIST TENSIONER ASSEMBLY MAY BE BOLTED OR WELDED IN PLACE. MARTIN® ENGINEERING RECOMMENDS BOLTING WHEN APPLICABLE FOR EASIER MAINTENANCE AND ACCESSIBILITY.
 - 7) REFER TO OPERATOR'S MANUALS (M3296 AND M3618) FOR INSTALLATION INSTRUCTIONS.
 - 8) MARTIN® ENGINEERING RECOMMENDS THE CLEANER BE LOCATED SO THAT THE BLADE TIP IS AT OR SLIGHTLY BELOW HORIZONTAL CENTERLINE OF HEAD PULLEY. CLEANER IS SHOWN BELOW IN RECOMMENDED WORKING POSITION.
 - 9) FOR SEVERE APPLICATIONS WELD MAINFRAME ADAPTER DIRECTLY TO MAINFRAME.
 - 10) THE QC™ #1 HD PRE-CLEANER BLADE IS DESIGNED TO REMOVE INITIAL CARRYBACK ONLY. DO NOT OVER TENSION!
 - 11) THE QC™ #1 HD PRE-CLEANER BLADE IS DESIGNED FOR HEAD PULLEYS WITH A MINIMUM EFFECTIVE DIAMETER OF 12.00 (305).



© Copyright 2009 Martin Engineering. All rights reserved. Covered by U.S. and foreign patents pending and issued. ® and TM indicate trademarks of Martin Engineering.

MARTIN ENGINEERING NEPONSET ILLINOIS USA

TITLE: MARTIN® QC™ #1 HD ASM WITH TWIST™ DUAL TENSIONER ASM 12 X 18 STEEL ACCESS DOOR

DRAWN RND DATE 08/24/09
CHECKED
ENG. DATE 08/25/09
APPROVED DATE 08/26/09
SCALE 1/4=1

SALES DRAWING MDO778 S37250-D-1218

NO.	DESCRIPTION	ECN	DATE	BY
A	REV MOUNTING LOCATION CHART/CHG DIM FROM 4.00 TO 3.50 (12 THRU 15)	12821	03/18/10	MJB
	REVISION			