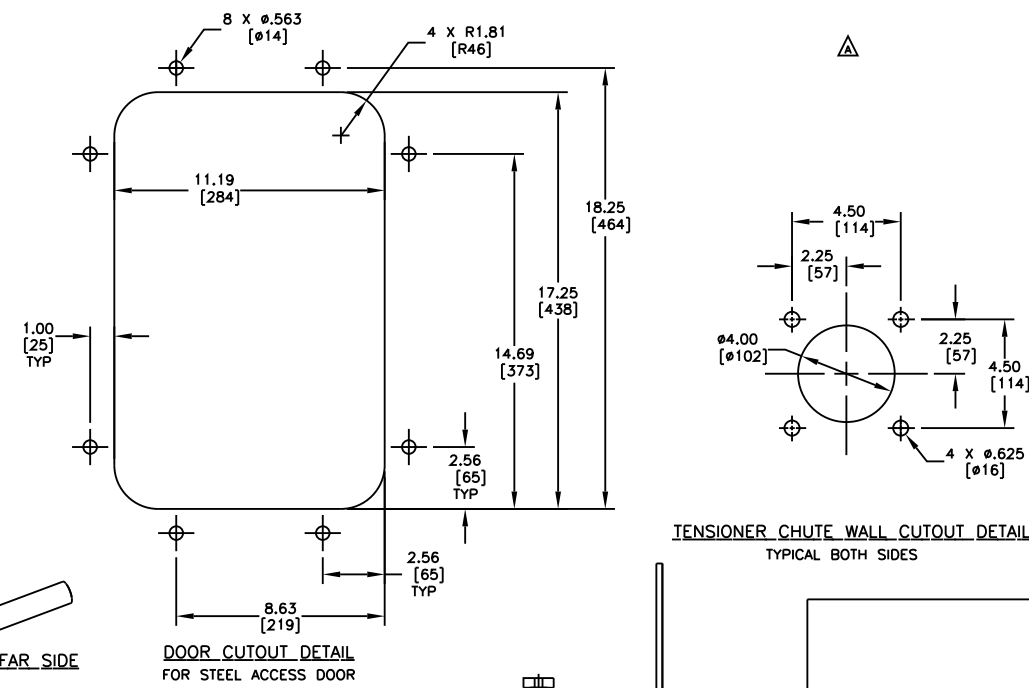
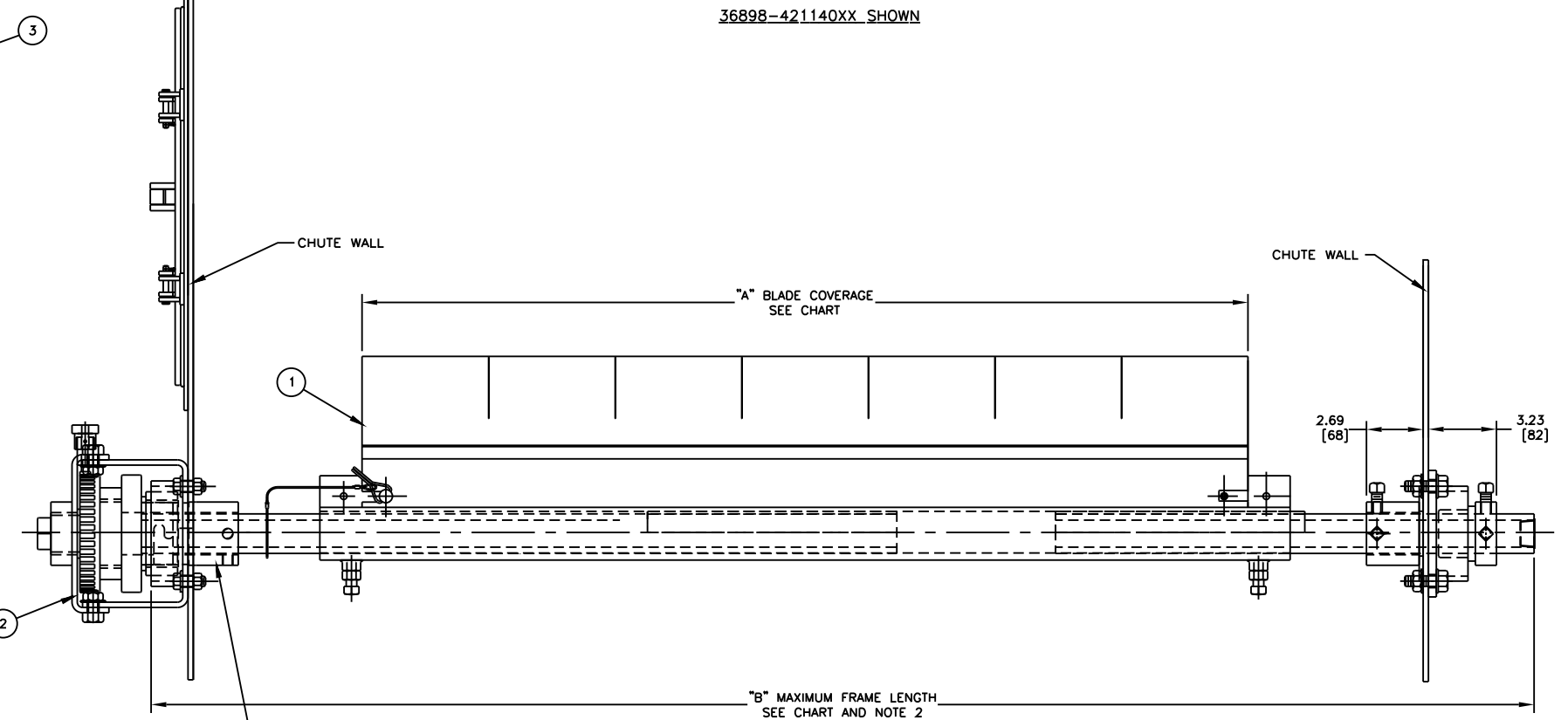
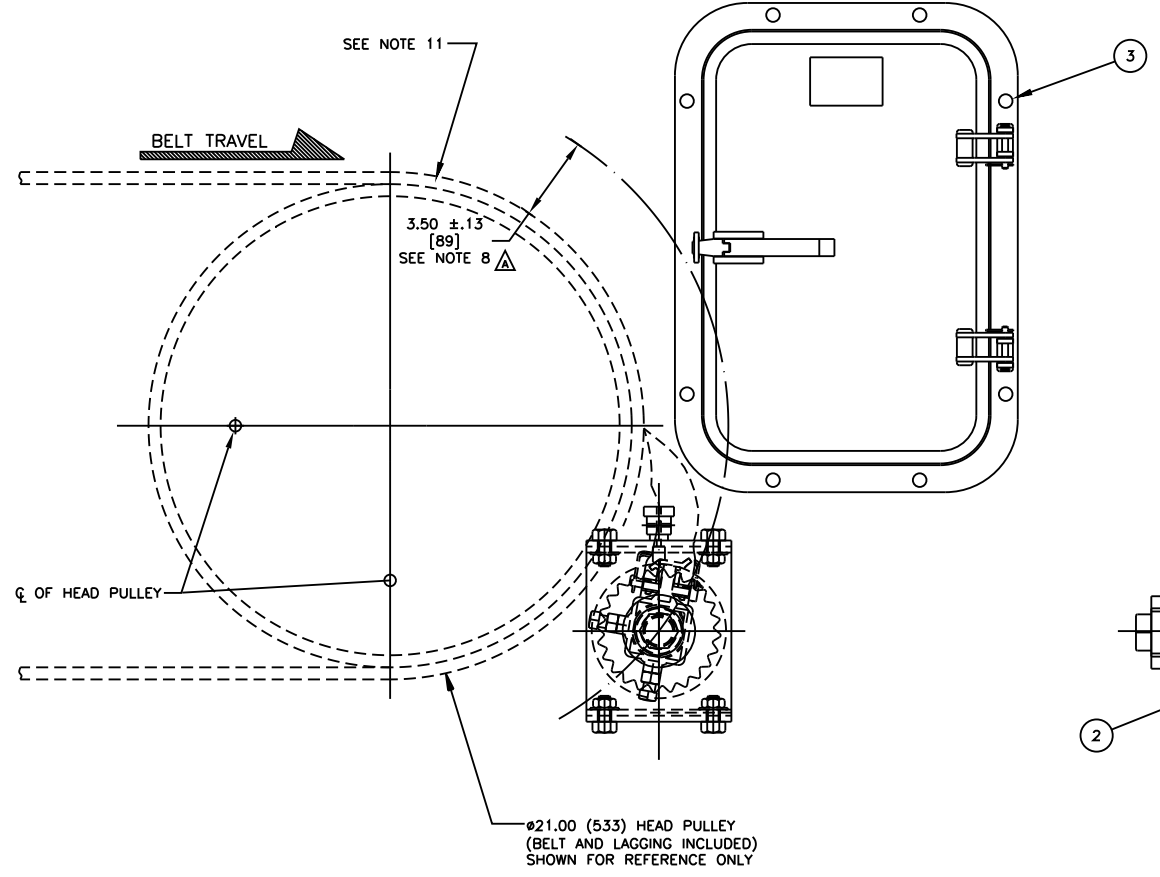
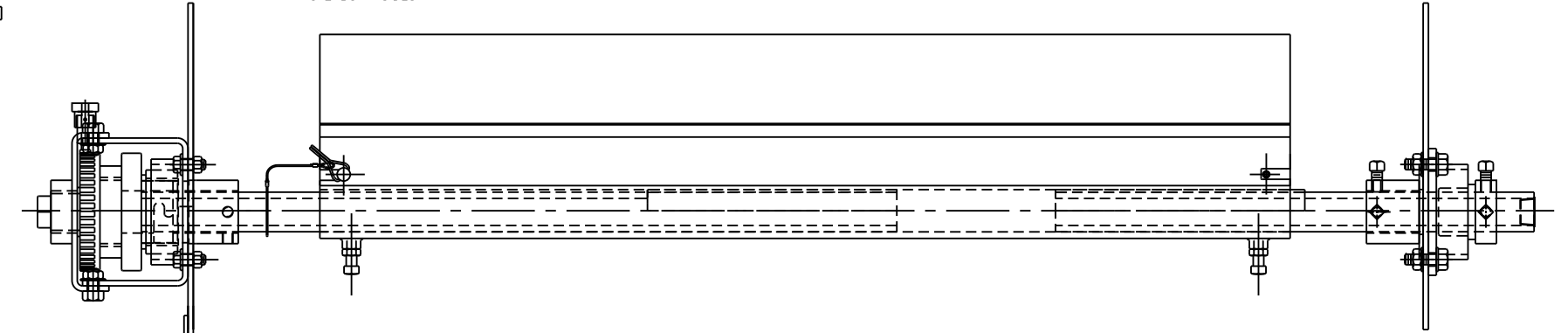
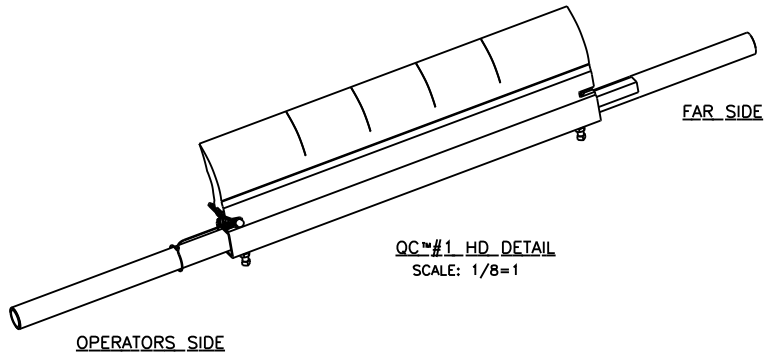
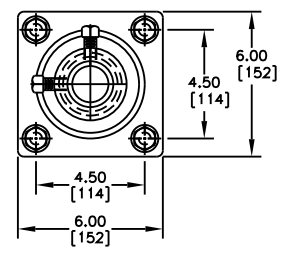


PART NUMBER	BELT WIDTH	DIMENSION "A" BLADE COVERAGE	DIMENSION "B" FRAME LENGTH
36898-18XX12XX	18.00 [400-500]	12.00 [305]	44.00 [1119]
36898-18XX16XX	18.00 [400-500]	16.00 [406]	44.00 [1119]
36898-24XX18XX	24.00 [500-650]	18.00 [457]	50.00 [1270]
36898-24XX22XX	24.00 [500-650]	22.00 [559]	50.00 [1270]
36898-30XX24XX	30.00 [650-800]	24.00 [610]	62.00 [1575]
36898-30XX28XX	30.00 [650-800]	28.00 [711]	62.00 [1575]
36898-36XX30XX	36.00 [800-1000]	30.00 [762]	68.00 [1727]
36898-36XX34XX	36.00 [800-1000]	34.00 [864]	68.00 [1727]
36898-42XX36XX	42.00 [1000-1200]	36.00 [914]	74.00 [1880]
36898-42XX40XX	42.00 [1000-1200]	40.00 [1016]	74.00 [1880]
36898-48XX42XX	48.00 [1200-1400]	42.00 [1067]	80.00 [2032]
36898-48XX46XX	48.00 [1200-1400]	46.00 [1168]	80.00 [2032]



- NOTES:
- 1) ALL DIMENSIONS ARE GIVEN IN INCHES (MM) AND ARE FOR REFERENCE ONLY.
  - 2) FRAME IS ADJUSTABLE TO DESIRED LENGTH.
  - 3) FIRST XX INDICATES BELT WIDTH. THIRD X INDICATES BLADE WITHOUT SLITS. FOURTH X INDICATES BLADE WITHOUT SEGMENTS. THE NEXT TWO XX'S INDICATE BLADE WIDTH. THE REMAINING X'S INDICATE BLADE COLOR. EX: 36898-421036 = 42" BELT WITH 36" ORANGE BLADE W/O SLITS WITH SEGMENTS. 36898-421040GR = 42" BELT WITH 40" GREEN BLADE W/O SLITS WITH SEGMENTS. 36898-421136BR = 42" BELT WITH 36" BROWN BLADE W/O SLITS W/O SEGMENTS. 36898-421140 = 42" BELT WITH 40" ORANGE BLADE W/O SLITS OR SEGMENTS.
  - 4) FOR BELT WIDTHS 54.00 (1372) AND OVER, MARTIN® ENGINEERING RECOMMENDS USING A DUAL TWIST TENSIONER ASSEMBLY (P/N 31443-2R). SEE S37250-D.
  - 5) WHERE EXTREME OR UNUSUAL CONDITIONS EXIST, OR SPECIAL MAINFRAME LENGTHS ARE REQUIRED, CONSULT MARTIN® ENGINEERING FOR ASSISTANCE.
  - 6) TWIST TENSIONER ASSEMBLY MAY BE BOLTED OR WELDED IN PLACE. MARTIN® ENGINEERING RECOMMENDS BOLTING WHEN APPLICABLE FOR EASIER MAINTENANCE AND ACCESSIBILITY.
  - 7) REFER TO OPERATOR'S MANUALS (M3296 AND M3618) FOR INSTALLATION INSTRUCTIONS.
  - 8) MARTIN® ENGINEERING RECOMMENDS THE CLEANER BE LOCATED SO THAT THE BLADE TIP IS AT OR SLIGHTLY BELOW HORIZONTAL CENTERLINE OF HEAD PULLEY. CLEANER IS SHOWN BELOW IN RECOMMENDED WORKING POSITION.
  - 9) FOR SEVERE APPLICATIONS WELD MAINFRAME ADAPTER DIRECTLY TO MAINFRAME.
  - 10) THE QC™#1 HD PRE-CLEANER BLADE IS DESIGNED TO REMOVE INITIAL CARRYBACK ONLY. DO NOT OVER TENSION!
  - 11) THE QC™#1 HD PRE-CLEANER BLADE IS DESIGNED FOR HEAD PULLEYS WITH A MINIMUM EFFECTIVE DIAMETER OF 12.00 (305).

ITEM	QTY.	DESCRIPTION	PART NUMBER
1	1	MARTIN®QC™#1 HD BLADE MAINFRAME ASM	36898-XXXXX
2	1	MARTIN®TWIST™ TENSIONER ASM	31443
3	1	MARTIN®ACCESS STEEL DOOR ASM	CYA-1218



© Copyright 2009 Martin Engineering. All rights reserved. Covered by U.S. and foreign patents pending and issued. ® and TM indicate trademarks of Martin Engineering.

**MARTIN ENGINEERING** NEPONSET ILLINOIS USA

TITLE: MARTIN® QC™#1 HD ASM  
MARTIN® TWIST™ TENSIONER  
12X18 STEEL ACCESS DOOR

DRAWN RND: DATE 08/24/09  
CHECKED: DATE 08/25/09  
APPROVED: DATE 08/26/09  
SCALE 1/4=1

SALES DRAWING: MDO778 S37250-S-1218

NO.	DESCRIPTION	ECN	DATE	BY
A	REV MOUNTING LOCATION CHART/CHG DIM FROM 4.00 TO 3.50 (12 THRU 15)	12821	03/18/10	MJB
	REVISION			