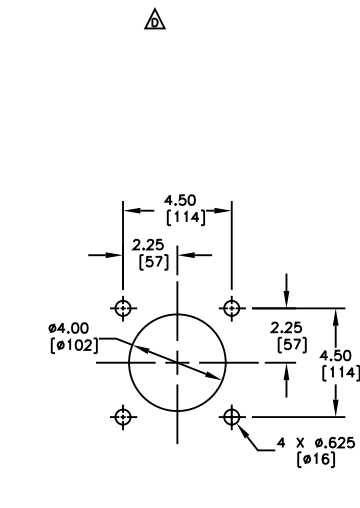
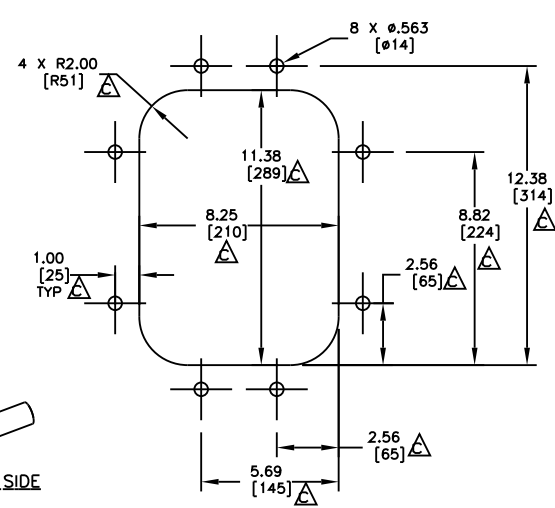
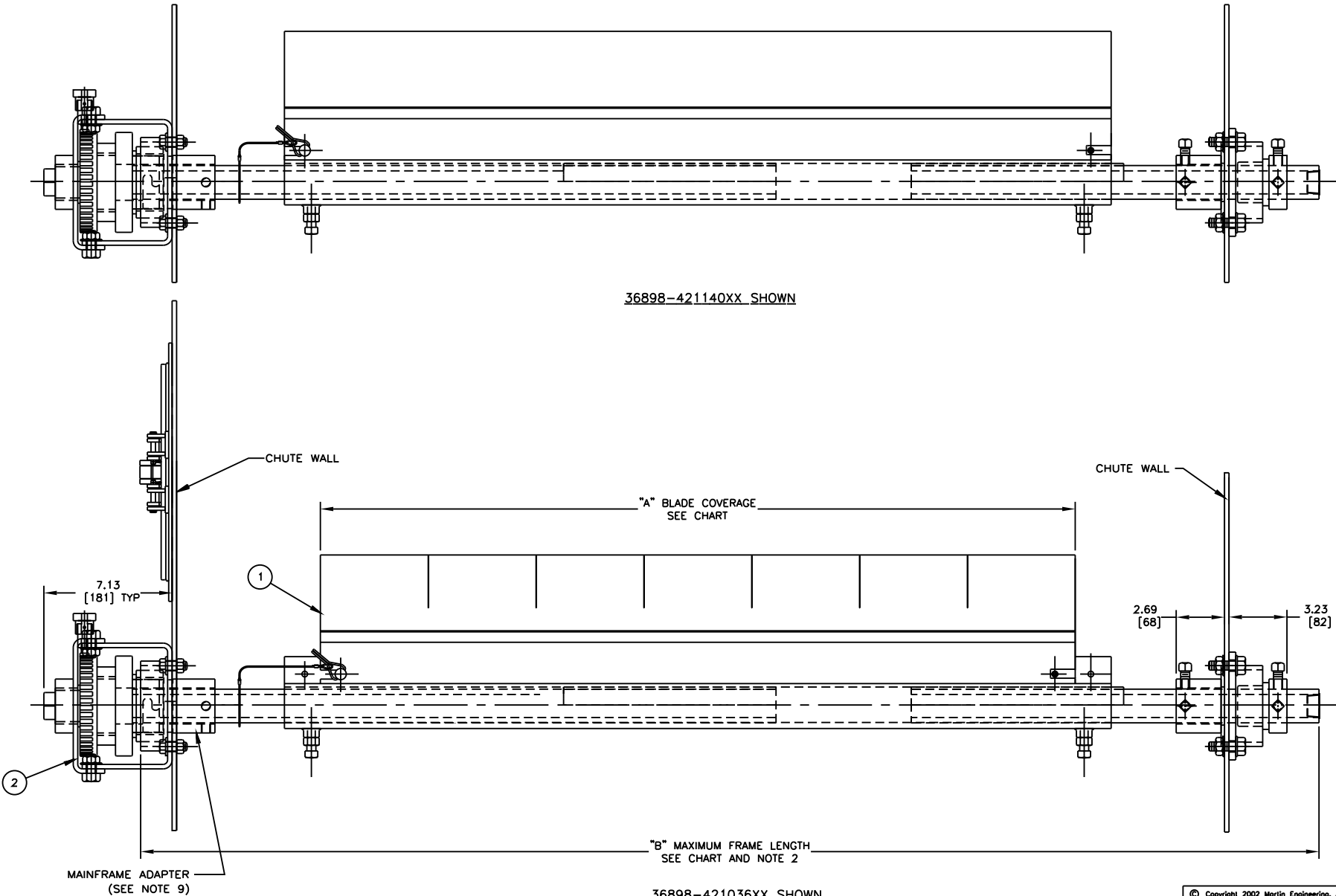
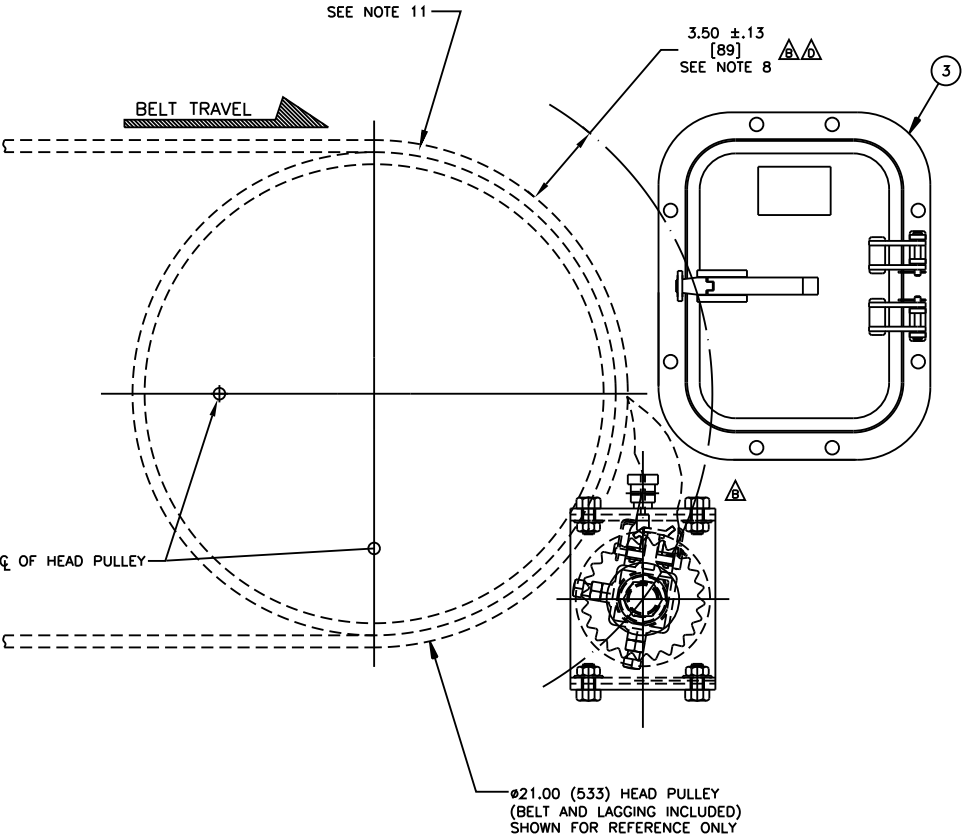
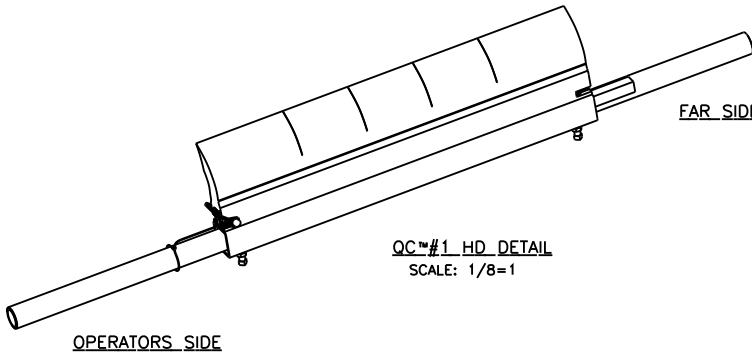
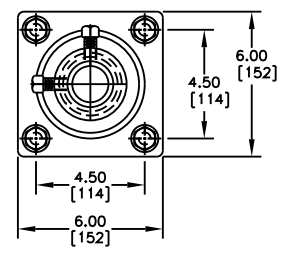


PART NUMBER	BELT WIDTH	DIMENSION "A" BLADE COVERAGE	DIMENSION "B" FRAME LENGTH
36898-18X12XX	18.00 [400-500]	12.00 [305]	44.00 [1119]
36898-18X16XX	18.00 [400-500]	16.00 [406]	44.00 [1119]
36898-24X18XX	24.00 [500-650]	18.00 [457]	50.00 [1270]
36898-24X22XX	24.00 [500-650]	22.00 [559]	50.00 [1270]
36898-30X24XX	30.00 [650-800]	24.00 [610]	62.00 [1575]
36898-30X28XX	30.00 [650-800]	28.00 [711]	62.00 [1575]
36898-36X30XX	36.00 [800-1000]	30.00 [762]	68.00 [1727]
36898-36X34XX	36.00 [800-1000]	34.00 [864]	68.00 [1727]
36898-42X36XX	42.00 [1000-1200]	36.00 [914]	74.00 [1880]
36898-42X40XX	42.00 [1000-1200]	40.00 [1016]	74.00 [1880]
36898-48X42XX	48.00 [1200-1400]	42.00 [1067]	80.00 [2032]
36898-48X46XX	48.00 [1200-1400]	46.00 [1168]	80.00 [2032]



- NOTES:
- 1) ALL DIMENSIONS ARE GIVEN IN INCHES (MM) AND ARE FOR REFERENCE ONLY.
 - 2) FRAME IS ADJUSTABLE TO DESIRED LENGTH.
 - 3) FIRST XX INDICATES BELT WIDTH, THIRD X INDICATES BLADE WITHOUT SLITS, FOURTH X INDICATES BLADE WITHOUT SEGMENTS. THE NEXT TWO XX'S INDICATE BLADE WIDTH. THE REMAINING X'S INDICATE BLADE COLOR.
EX: 36898-421036 = 42" BELT WITH 36" ORANGE BLADE W/O SLITS WITH SEGMENTS.
36898-421040GR = 42" BELT WITH 40" GREEN BLADE W/O SLITS WITH SEGMENTS.
36898-421136BR = 42" BELT WITH 36" BROWN BLADE W/O SLITS W/O SEGMENTS.
36898-421140 = 42" BELT WITH 40" ORANGE BLADE W/O SLITS OR SEGMENTS.
 - 4) FOR BELT WIDTHS 54.00 (1372) AND OVER, MARTIN® ENGINEERING RECOMMENDS USING A DUAL TWIST TENSIONER ASSEMBLY (P/N 31443-2R). SEE S37250-D.
 - 5) WHERE EXTREME OR UNUSUAL CONDITIONS EXIST, OR SPECIAL MAINFRAME LENGTHS ARE REQUIRED, CONSULT MARTIN® ENGINEERING FOR ASSISTANCE.
 - 6) TWIST TENSIONER ASSEMBLY MAY BE BOLTED OR WELDED IN PLACE. MARTIN® ENGINEERING RECOMMENDS BOLTING WHEN APPLICABLE FOR EASIER MAINTENANCE AND ACCESSIBILITY.
 - 7) REFER TO OPERATOR'S MANUALS (M3296 AND M3618) FOR INSTALLATION INSTRUCTIONS.
 - 8) MARTIN® ENGINEERING RECOMMENDS THE CLEANER BE LOCATED SO THAT THE BLADE TIP IS AT OR SLIGHTLY BELOW HORIZONTAL CENTERLINE OF HEAD PULLEY. CLEANER IS SHOWN BELOW IN RECOMMENDED WORKING POSITION.
 - 9) FOR SEVERE APPLICATIONS WELD MAINFRAME ADAPTER DIRECTLY TO MAINFRAME.
 - 10) THE OC™#1 HD PRE-CLEANER BLADE IS DESIGNED TO REMOVE INITIAL CARRYBACK ONLY. DO NOT OVER TENSION!
 - 11) THE OC™#1 HD PRE-CLEANER BLADE IS DESIGNED FOR HEAD PULLEYS WITH A MINIMUM EFFECTIVE DIAMETER OF 12.00 (305).

ITEM	QTY.	DESCRIPTION	PART NUMBER
1	1	MARTIN® OC™#1 HD BLADE MAINFRAME ASM	36898-XXXXX
2	1	MARTIN® TWIST™ TENSIONER ASM	31443
3	1	MARTIN® LOW PROFILE STL DOOR 9X12	CYA-0912



36898-421140XX SHOWN

36898-421036XX SHOWN
HEAD PULLEY NOT SHOWN FOR CLARITY

NO.	DESCRIPTION	ECN	DATE	BY
D	REV MOUNTING LOCATION CHART/CHG DIM FROM 4.00 TO 3.50 (12 THRU 15)	12821	03/18/10	MJB
C	CHG P/N FROM 34955-0912 TO CYA-0912/CHG DIM FROM 7.00 TO 7.50, 4 X R1.81 TO 4 X R2.00, .75 TO 1.00, 2.81 TO 2.56, 5.94 TO 5.69, 8.75 TO 8.25, 11.88 TO 11.38, 2.82 TO 2.56, 9.07 TO 8.52 & 12.63 TO 12.38	12961	03/24/09	MJB
B	CHGD TO NEW BLADE PROFILE / CHGD DIM "D" FROM 4.50 TO 4.00 & FROM 4.00 TO 3.50	11709	07/28/06	RND
A	ADDED 2.00 LESS BELT WIDTH INFO	-----	12/16/03	JAP

© Copyright 2002 Martin Engineering. All rights reserved. Covered by U.S. and foreign patents pending and issued. ® and TM indicate trademarks of Martin Engineering.

MARTIN ENGINEERING
NEPONSET ILLINOIS USA

TITLE: MARTIN® OC™#1 HD ASM WITH TWIST™ TENSIONER ASM 9 X 12 STEEL DOOR

SALES DRAWING

DRAWN MJT
DATE 04/22/02
CHECKED
ENG. JPP
DATE 04/22/02
APPROVED JPP
DATE 04/22/02
SCALE 1/4=1

S37250-S