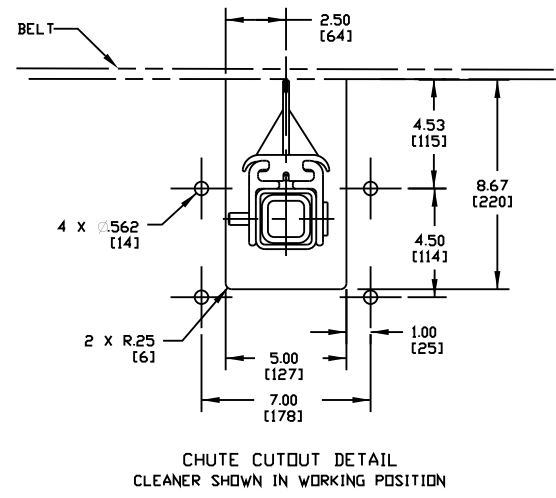
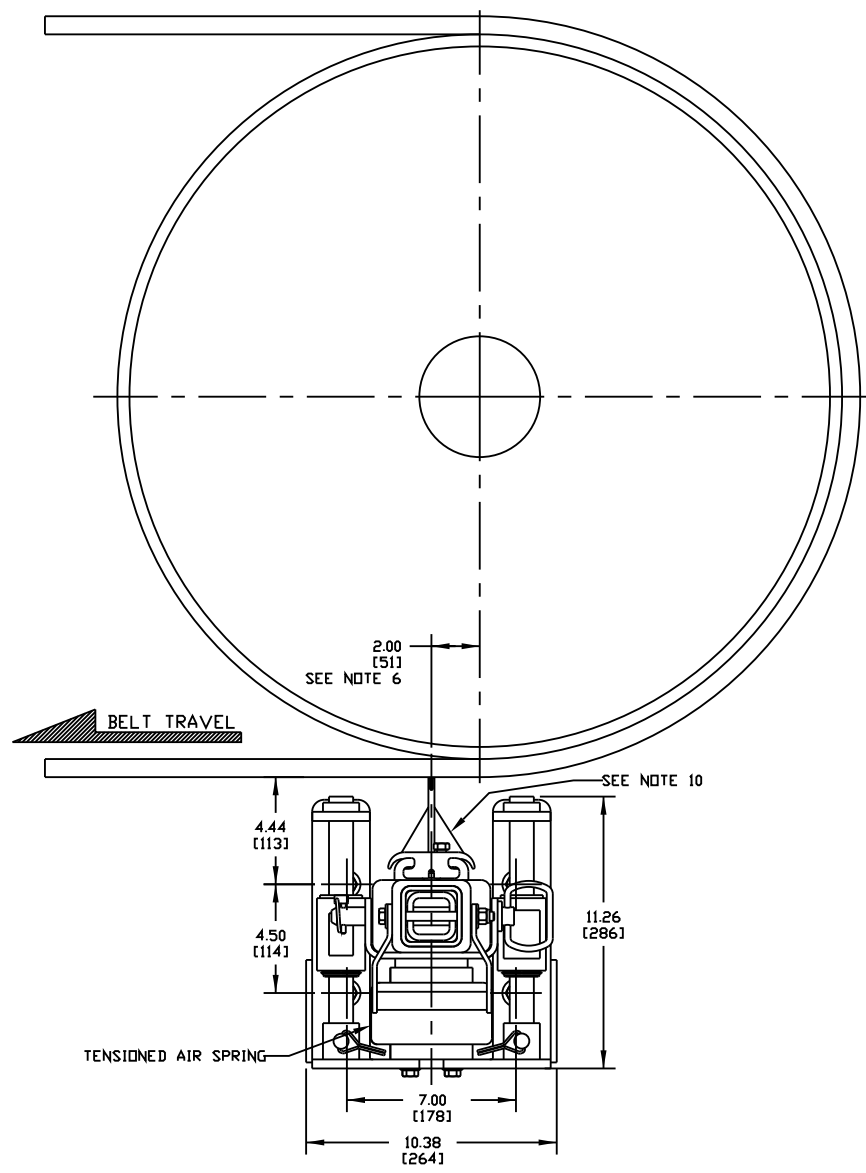


ASSEMBLY PART NO.	BELT WIDTH	DIM "A" FRAME LENGTH	DIM "B" CARTRIDGE LENGTH	DIM "C" SPLIT-TRACK LENGTH	DIM "D" BLADE COVERAGE	BLADE QTY
DT2S-18X12XXXX	18.00 [457]	49.50 [1257]	36.16 [918]	27.00 [686]	12.00 [305]	2
DT2S-18X18XXXX	18.00 [457]	49.50 [1257]	36.16 [918]	27.00 [686]	18.00 [457]	3
DT2S-24X18XXXX	24.00 [610]	55.50 [1410]	42.16 [1071]	33.00 [838]	18.00 [457]	3
DT2S-24X24XXXX	24.00 [610]	55.50 [1410]	42.16 [1071]	33.00 [838]	24.00 [610]	4
DT2S-30X24XXXX	30.00 [762]	61.50 [1562]	48.16 [1223]	39.00 [991]	24.00 [610]	4
DT2S-30X30XXXX	30.00 [762]	61.50 [1562]	48.16 [1223]	39.00 [991]	30.00 [762]	5
DT2S-36X30XXXX	36.00 [914]	67.50 [1715]	54.16 [1376]	45.00 [1143]	30.00 [762]	5
DT2S-36X36XXXX	36.00 [914]	67.50 [1715]	54.16 [1376]	45.00 [1143]	36.00 [914]	6
DT2S-42X36XXXX	42.00 [1067]	73.50 [1867]	60.16 [1528]	51.00 [1295]	36.00 [914]	6
DT2S-42X42XXXX	42.00 [1067]	73.50 [1867]	60.16 [1528]	51.00 [1295]	42.00 [1067]	7
DT2S-48X42XXXX	48.00 [1219]	79.50 [2019]	66.16 [1680]	57.00 [1448]	42.00 [1067]	7
DT2S-48X48XXXX	48.00 [1219]	79.50 [2019]	66.16 [1680]	57.00 [1448]	48.00 [1219]	8
DT2S-54X48XXXX	54.00 [1372]	85.50 [2172]	72.16 [1833]	63.00 [1600]	48.00 [1219]	8
DT2S-54X54XXXX	54.00 [1372]	85.50 [2172]	72.16 [1833]	63.00 [1600]	54.00 [1372]	9
DT2S-60X54XXXX	60.00 [1524]	91.50 [2324]	78.16 [1985]	69.00 [1753]	54.00 [1372]	9
DT2S-60X60XXXX	60.00 [1524]	91.50 [2324]	78.16 [1985]	69.00 [1753]	60.00 [1524]	10
DT2S-66X60XXXX	66.00 [1676]	97.50 [2477]	84.16 [2138]	75.00 [1905]	60.00 [1524]	10
DT2S-66X66XXXX	66.00 [1676]	97.50 [2477]	84.16 [2138]	75.00 [1905]	66.00 [1676]	11
DT2S-72X66XXXX	72.00 [1829]	103.50 [2629]	90.16 [2290]	81.00 [2057]	66.00 [1676]	11
DT2S-72X72XXXX	72.00 [1829]	103.50 [2629]	90.16 [2290]	81.00 [2057]	72.00 [1829]	12
DT2S-84X78XXXX	84.00 [2134]	115.50 [2934]	102.16 [2595]	93.00 [2362]	78.00 [1981]	13
DT2S-96X90XXXX	96.00 [2438]	127.50 [3239]	114.16 [2900]	105.00 [2667]	90.00 [2286]	15
DT2S-120X114XXXX	120.00 [3048]	151.50 [3848]	138.16 [3509]	123.00 [3124]	114.00 [2896]	19

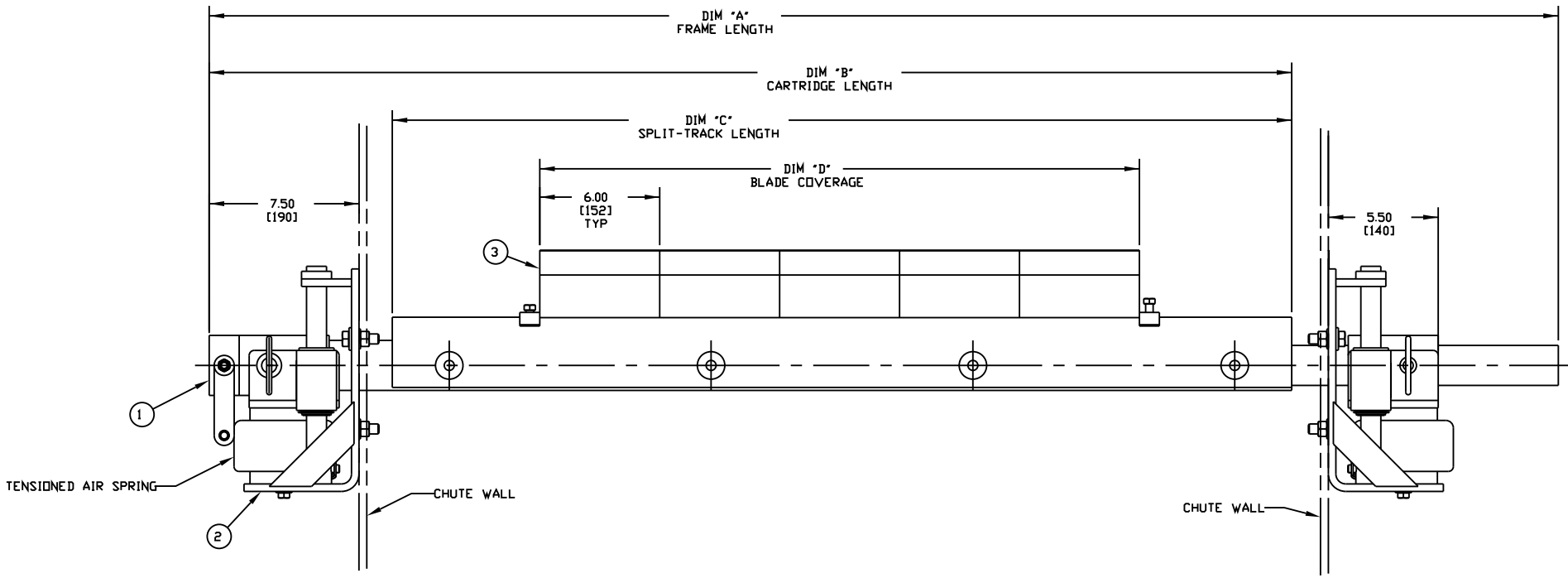
TENSIONING CHART	
BELT WIDTH	REQUIRED PRESSURE PSI (BAR)
18 [400-500]	2 [0.14]
24 [500-650]	2 [0.14]
30 [650-800]	3 [0.21]
36 [800-1000]	3 [0.21]
42 [1000-1200]	4 [0.28]
48 [1200-1400]	4 [0.28]
54 [1400-1600]	5 [0.34]
60 [1600-1800]	6 [0.41]
66 [1600-1800]	6 [0.41]
72 [1800-2000]	7 [0.49]
84 [2000-2200]	7 [0.49]
96 [2200-2400]	8 [0.55]
120 [2800-3000]	10 [0.69]

ITEM	QTY.	DESCRIPTION	PART NUMBER
1	1	DT SPLIT TRACK SECONDARY ASM	DT2S-XXXXXXA
2	1	INLINE/REV AIR TENSIONER	37707-A
3	S/C	REPLACEMENT BLADE	SEE CHART

BLADE CHART		
PART NUMBER	DESCRIPTION	BLADE P/N
DT2S-XXXXXXA	TC W/SS HOLDER REVERSING	31104-TCSXX
DT2S-XXTXXXXX	TUNGSTEN CARBIDE REVERSING	31104-TXX
DT2S-XXSXXXXX	STAINLESS STEEL REVERSING	31104-SXX
DT2S-XXUXXXXX	URETHANE REVERSING	31104-UXX



- NOTES:
- 1) ALL DIMENSIONS ARE GIVEN IN INCHES (MM).
 - 2) ALL DIMENSIONS ARE FOR REFERENCE PURPOSES ONLY.
 - 3) BOLT OR WELD TENSIONER ASSEMBLY IN PLACE. BOLT TENSIONERS WHEN APPLICABLE FOR EASE OF MAINTENANCE AND ACCESSIBILITY.
 - 4) WHERE EXTREME OR UNUSUAL CONDITIONS EXIST OR SPECIAL MAINFRAME LENGTHS ARE REQUIRED CONSULT MARTIN ENGINEERING FOR ASSISTANCE.
 - 5) REFER TO OPERATOR'S MANUAL M3687 FOR INSTALLATION INSTRUCTIONS.
 - 6) IF INSTALLED ON CROWN PULLEY, CLEANER IS RECOMMENDED TO BE 4.00 (102) FROM THE CENTERLINE. IT IS IMPORTANT THAT THE BELT IS LEVEL IF IT IS NOT, INCREASE DIMENSION UNTIL LEVEL.
 - 7) CLEANER MUST BE MOUNTED WITH BLADES PERPENDICULAR TO BELT SURFACE.
 - 8) CENTER BLADES ON BELT SURFACE.
 - 9) THE FIRST -XX IN SUFFIX INDICATES BELT WIDTH. THE NEXT X INDICATES BLADE TYPE:
 O = NO BLADES
 A = INLINE TC BLADE
 C = INLINE TC INSERT W/SS HOLDER BLADE
 R = TC INSERT W/SS HOLDER REVERSING BLADE
 T = TUNGSTEN CARBIDE REVERSING BLADE
 S = STAINLESS STEEL REVERSING BLADE
 U = URETHANE REVERSING BLADE
 THE NEXT XX INDICATES BLADE COVERAGE.
 OO = NO BLADES
 THE NEXT XX INDICATES BLADE COLOR:
 BR = BROWN
 GR = GREEN
 DR = ORANGE
 THE NEXT X INDICATES MAINFRAME TYPE:
 P = STANDARD DUTY
 S = 316 STAINLESS STEEL
 THE LAST X INDICATES ACCESSORY OPTIONS:
 O = NO TENSIONER
 A = INLINE/REV AIR TENSIONER
 S = INLINE/REV SPRING TENSIONER
 10) THERE WILL BE APPROXIMATELY 1/2" GAP BETWEEN BLADE TIP AND BELT WHEN CLEANER IS UNTENSIONED.



Copyright 2012 Martin Engineering. All rights reserved. Covered by U.S. and Foreign patents pending and issued. R and TM indicate trademarks of Martin Engineering.

MARTIN ENGINEERING-USA
NEPONSET, IL USA

NO.	REVISION	DESCRIPTION	ECN	DATE	BY
C	ADDED OPTION 'C' & 'R' TO BLADE TYPE IN THE NOTES			05/02/11	MJB
B	UPDATED 'REQUIRED PRESSURE' ON TENSIONING CHART		12346	07/10/08	MJB
A	CHGD NOTE		11503	11/16/05	MJB

TITLE	DATE	DRAWN	CHECKED
MARTIN DT2S SEC ASM W/REV BLADES & INLINE/REV AIR TENS	07/20/04	MJB	
SALES DRAWING			

NO. M0613 TITLE S50017-RA SCALE 1/4