

BELT WIDTH	TROUGH ANGLE	CHUTE WIDTH INSIDE
18	ALL	9.00 [229]
24	ALL	13.75 [349]
30	20	18.75 [476]
30	35	17.50 [445]
30	45	16.38 [416]
36	20	24.50 [622]
36	35	23.00 [584]
36	45	21.25 [540]
42	20	30.00 [762]
42	35	27.75 [705]
42	45	25.50 [648]
48	20	35.75 [908]
48	35	33.00 [838]
48	45	30.25 [768]
54	20	41.50 [1054]
54	35	38.25 [972]
54	45	35.25 [895]
60	20	47.25 [1200]
60	35	43.50 [1105]
60	45	40.00 [1016]
72	20	59.00 [1499]
72	35	54.25 [1378]
72	45	50.00 [1270]

CHUTEWALL	
PART NO.	LENGTH
37548-2ST	24.00 [610]
37548-4ST	48.00 [1219]
37548-8ST	96.00 [2438]

ORDER 2 X BELT FEET QTY OF 8 FOOT CHUTEWALL REQUIRED. ORDER QTY (2) 4 FOOT OR 2 FOOT CHUTEWALL TO FINISH OUT TRANSFER POINT TO REQUIRED LENGTH

OUTER SUPPORTS		
BELT WIDTH	STANDARD BASE	WIDE BASE
18-42	37554-RIS	37554-RIW
	37554-LIS	37554-LIW
48-72	37554-R2S	37554-R2W
	37554-L2S	37554-L2W

QTY 1 RIGHT & LEFT SUPPORT REQUIRED FOR EVERY 4 BELT FEET OF CHUTEWALL. \*\* SUPPORTS ARE LONGER THAN REQUIRED, FIELD TRIM TO DESIRED LENGTH \*\*

INNER SUPPORT	
PART NO.	LENGTH
37564-XXXX	

FIRST XX INDICATES BELT WIDTH. NEXT XX INDICATES TROUGH ANGLE (CENTER 00 FOR 18 & 24 BELTS). QTY 1 SUPPORT NEEDED FOR EVERY 4 BELT FEET OF CHUTEWALL.

WEARLINER			
PART NO.	LENGTH	THICKNESS	MATERIAL
37562-24384	24.00 [610]	.38 [10]	AR 400
37562-24504	24.00 [610]	.50 [13]	AR 400
37562-48384	48.00 [1219]	.38 [10]	AR 400
37562-48504	48.00 [1219]	.50 [13]	AR 400
37562-24385	24.00 [610]	.38 [10]	AR 500
37562-24505	24.00 [610]	.50 [13]	AR 500
37562-48385	48.00 [1219]	.38 [10]	AR 500
37562-48505	48.00 [1219]	.50 [13]	AR 500
37562-2438C	24.00 [610]	.38 [10]	C/C WEARCON 700
37562-2450C	24.00 [610]	.50 [13]	C/C WEARCON 700
37562-4838C	48.00 [1219]	.38 [10]	C/C WEARCON 700
37562-4850C	48.00 [1219]	.50 [13]	C/C WEARCON 700
37562-2438M	24.00 [610]	.38 [10]	MAGNABRAZE
37562-2450M	24.00 [610]	.50 [13]	MAGNABRAZE
37562-4838M	48.00 [1219]	.38 [10]	MAGNABRAZE
37562-4850M	48.00 [1219]	.50 [13]	MAGNABRAZE
37562-2438T	24.00 [610]	.38 [10]	TRICON SUPER C
37562-2450T	24.00 [610]	.50 [13]	TRICON SUPER C
37562-4838T	48.00 [1219]	.38 [10]	TRICON SUPER C
37562-4850T	48.00 [1219]	.50 [13]	TRICON SUPER C

SELECT THICKNESS & MATERIAL OF WEARLINER. ORDER REQUIRED NUMBER OF 4 FOOT WEARLINER FOR TOTAL TRANSFER POINT REQUIREMENT. QTY (2) 2 FOOT WEARLINERS WILL BE NEEDED FOR NON MULTIPLE OF 4 TRANSFER POINT LENGTHS.

INSTALLATION HARDWARE	
PART NO.	LENGTH
37777-ST	
37778-XXX	

QTY 1 37777-ST REQ'D PER 8 BELT FEET OF CHUTEWALL. ORDER 1 ADDITIONAL KIT IF TOTAL LENGTH IS NOT A MULTIPLE OF 8.  
QTY 1 37778-XXX REQ'D PER 4 BELT FEET OF CHUTEWALL. -XX INDICATES BELT WIDTH. THE NEXT X INDICATES NUMBER OF EXTENSION PANELS ON TOP OF CHUTEWALL.

TAIL PANEL	
PART NO.	LENGTH
37550-XXXX	

FIRST XX INDICATES BELT WIDTH. NEXT XX INDICATES TROUGH ANGLE (CENTER 00 FOR 18 & 24 BELTS).

TAIL PANEL CLAMP	
PART NO.	LENGTH
33262-XXXX	

FIRST XX INDICATES BELT WIDTH. NEXT XX INDICATES TROUGH ANGLE (CENTER 00 FOR 18 & 24 BELTS).

TAIL PANEL RUBBER SHEET	
PART NO.	LENGTH
37881-18	14.00 [356]
37881-24	20.00 [508]
37881-30	26.00 [660]
37881-36	32.00 [813]
37881-42	38.00 [965]
37881-48	44.00 [1118]
37881-54	50.00 [1270]
37881-60	56.00 [1422]
37881-72	68.00 [1727]

FIRST XX INDICATES BELT WIDTH. TRIM SHEET TO FIT INSIDE CHUTE.

CHUTEWALL EXTENSION	
PART NO.	HEIGHT
37552-06	6.00 [152]
37552-12	12.00 [305]
37552-18	18.00 [457]

ORDER 2 X BELT FEET QTY OF 4 FOOT CHUTEWALL EXTENSIONS REQUIRED FOR SINGLE HEIGHT EXTENSIONS. EXTENSIONS CAN BE STACKED TO DESIRED HEIGHT.

TOP COVERS	
PART NO.	LENGTH
37555-XXXXC	48.00 [1219]
37555-XXXXT	50.50 [1283]

FIRST XX INDICATES BELT WIDTH. NEXT XX INDICATES TROUGH ANGLE (CENTER 00 FOR 18 & 24 BELTS). QTY OF 37555-XXXXC AS REQ'D. QTY 1 37555-XXXXT REQ'D PER INSTALLATION.

STILLING ZONE COVERS	
PART NO.	LENGTH
37560-XXXX	48.00 [1219]
37560-XXXXSZ	48.00 [1219]

FIRST XX INDICATES BELT WIDTH. NEXT XX INDICATES TROUGH ANGLE (18 BELTS WILL NOT HAVE STILLING CURTAINS). (USE 00 FOR TROUGH ANGLE FOR ALL 18 & 24 BELTS). QTY OF 37560-XXXX AS REQ'D. QTY OF 37560-XXXXSZ AS REQ'D.

STILLING ZONE SPLICE COVER	
PART NO.	LENGTH
37559-XXXX	

FIRST XX INDICATES BELT WIDTH. NEXT XX INDICATES TROUGH ANGLE (CENTER 00 FOR 18 & 24 BELTS). QTY 1 REQ'D PER STILLING ZONE COVER.

STILLING ZONE CURTAINS	
PART NO.	LENGTH
37557-XXXXC	

FIRST XX INDICATES BELT WIDTH. NEXT XX INDICATES CURTAIN LENGTH (CURTAIN LENGTH TO EQUAL TOTAL HEIGHT OF CHUTEWALL AND EXTENSIONS). QTY 6 CURTAINS REQUIRED FOR EACH 37560-XXXXSZ COVER.

APRON SEAL CLAMP	
PART NO.	LENGTH
32049	72.00 [1829]
32049-2	24.00 [610]
32049-4	48.00 [1219]

SELECT QTY OF 32049, -2 & -4 BASED ON LINEAR FEET OF CHUTEWALL.

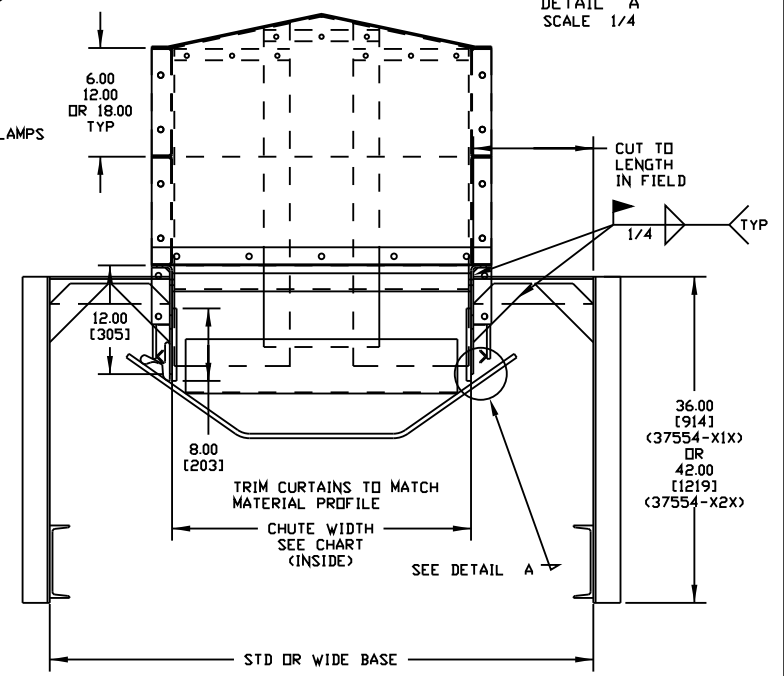
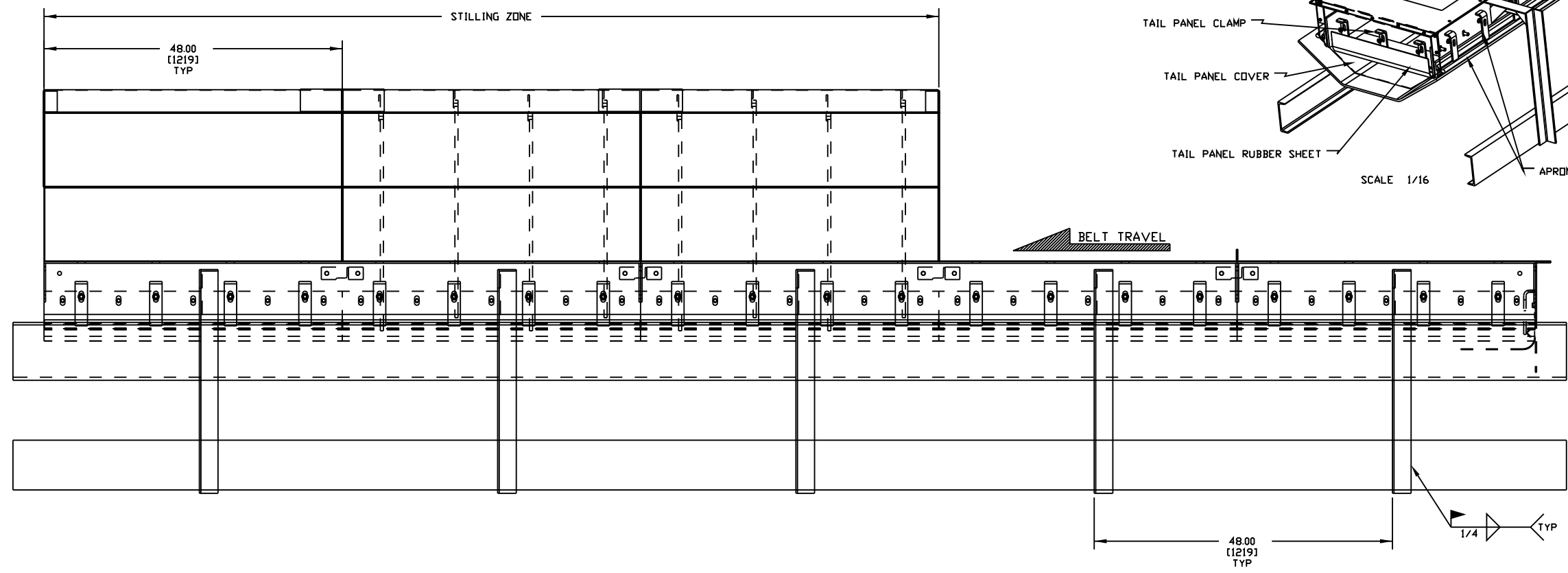
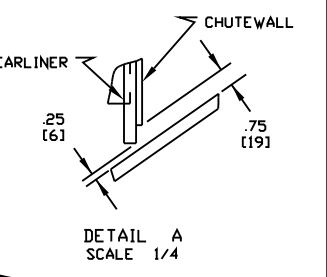
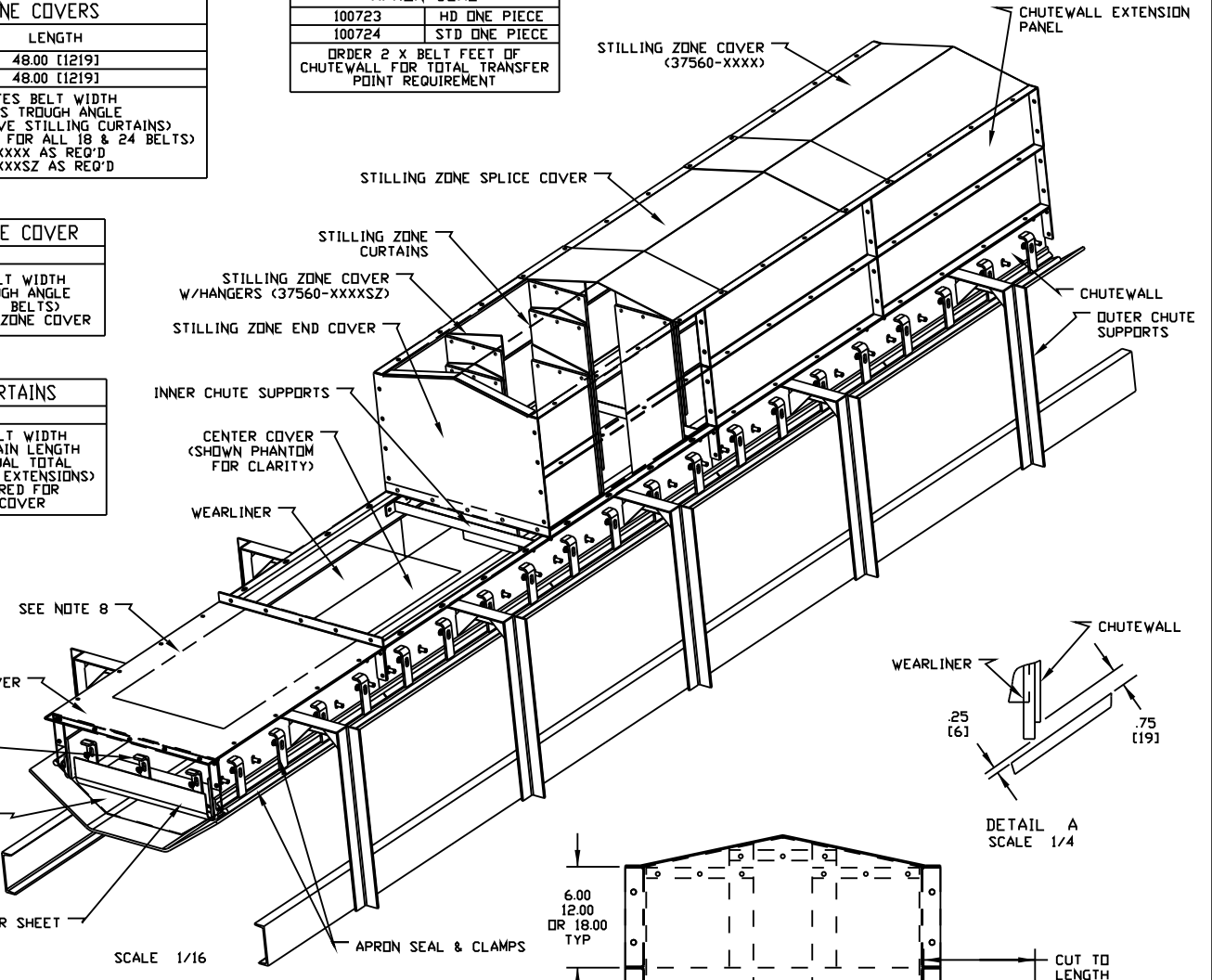
APRON SEAL	
PART NO.	LENGTH
100723	HD ONE PIECE
100724	STD ONE PIECE

ORDER 2 X BELT FEET OF CHUTEWALL FOR TOTAL TRANSFER POINT REQUIREMENT.

STILLING ZONE END COVERS	
PART NO.	ENTRY
37553-XXXXXX	ENTRY
37553-XXXX24	EXIT

FIRST XX INDICATES BELT WIDTH. NEXT XX INDICATES TROUGH ANGLE. LAST XX INDICATES CHUTEWALL HEIGHT (USE 00 FOR TROUGH ANGLE ON 18 & 24 BELTS). (END COVER LENGTH TO EQUAL TOTAL HEIGHT OF CHUTEWALL AND EXTENSIONS). QTY 1 ENTRY COVER & 1 EXIT COVER REQ'D FOR EACH STILLING ZONE.

- INSTALLATION NOTES:
- 1) REMOVE ANY EXISTING CHUTEWALLS AND SUPPORTS.
  - 2) ASSEMBLE NEW CHUTEWALLS END TO END ON TOP OF BELT. INSTALL INNER CHUTE SUPPORTS MAKING SURE TO KEEP CHUTEWALL CENTERED ON BELT. TO AID INSTALLATION USE A .75 [19] SHIM TO KEEP CHUTEWALL PROPERLY SPACED FROM THE BELT SURFACE.
  - 3) DETERMINE LOCATION AND PROPER LENGTH OF OUTER CHUTE SUPPORTS. CUT SUPPORTS TO LENGTH AND WELD IN PLACE ALONG WITH SUPPLIED GUSSETS.
  - 4) REMOVE SHIMS FROM UNDER CHUTEWALL AND INSTALL WEARLINER INSIDE CHUTEWALL AND ADJUST TO .25 [6] FROM BELT SURFACE.
  - 5) INSTALL APRON SEAL AND CLAMPS.
  - 6) INSTALL TAIL PANEL RUBBER SEAL SHEET AND CLAMP.
  - 7) STARTING AT EXIT END OF CHUTEWALL INSTALL CHUTE EXTENSIONS STILLING ZONE CURTAINS AND COVERS.
  - 8) CUT TAIL AND CENTER COVERS AS NEEDED TO FIT AROUND EXISTING FEED CHUTE(S).



NOTES:  
1) ALL DIMENSIONS ARE GIVEN IN INCHES [MM].  
2) ALL DIMENSIONS ARE FOR REFERENCE ONLY.

Copyright 2014 Martin Engineering. All rights reserved. Covered by U.S. and Foreign patents pending and issued. R and TM indicate trademarks of Martin Engineering.

MARTIN ENGINEERING-USA  
NEPONSET, IL USA

TITLE	MODULAR CHUTEWALL WITH STILLING ZONE COMPONENTS	DRAWN	JAP
DATE	02/28/05	CHECKED	
ENG.	RND	DATE	05/23/05
APPROVED	JMM	DATE	05/24/05
SCALE	3/32		

NO.	DESCRIPTION	ECN	DATE	BY
A	CHGD INSIDE CHUTE WIDTH FOR 30 & 36 BELT WIDTHS / REV'D P/N 37557-XXXXS FROM CHART & UPDATED NOTE	13571	03/22/13	RND
	REVISION			

SALES DRAWING  
PR09338 S50019-SZ