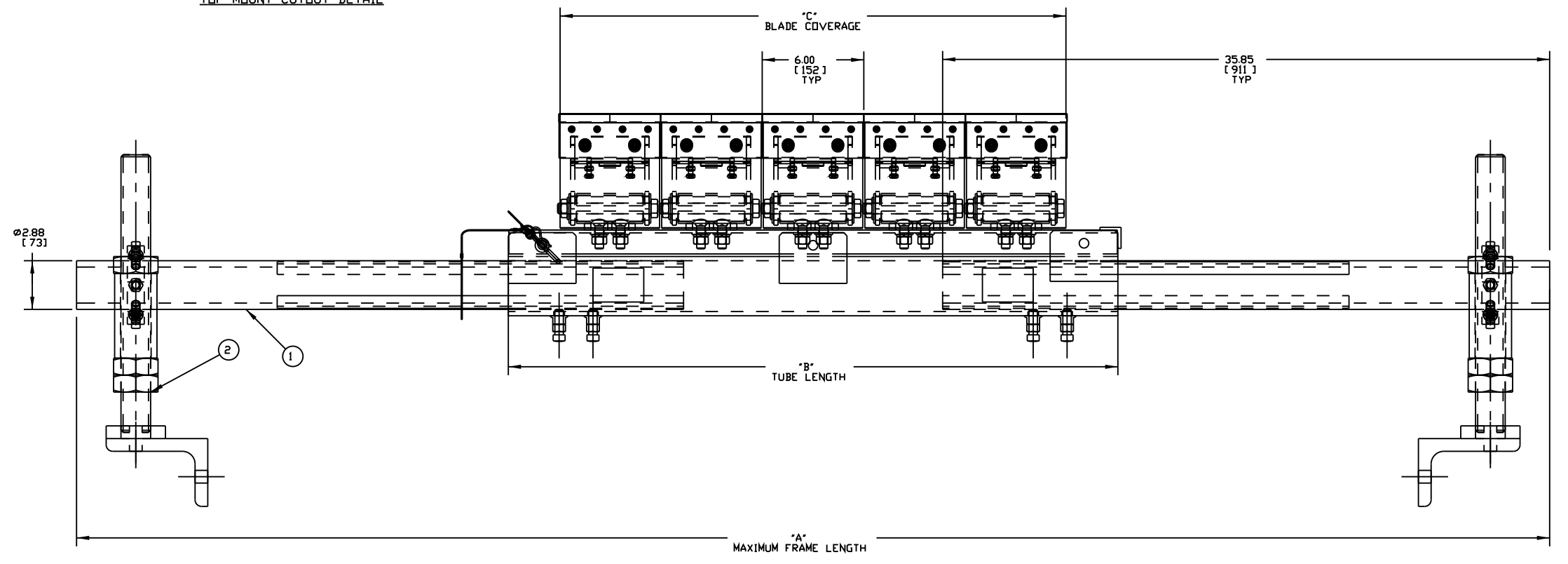
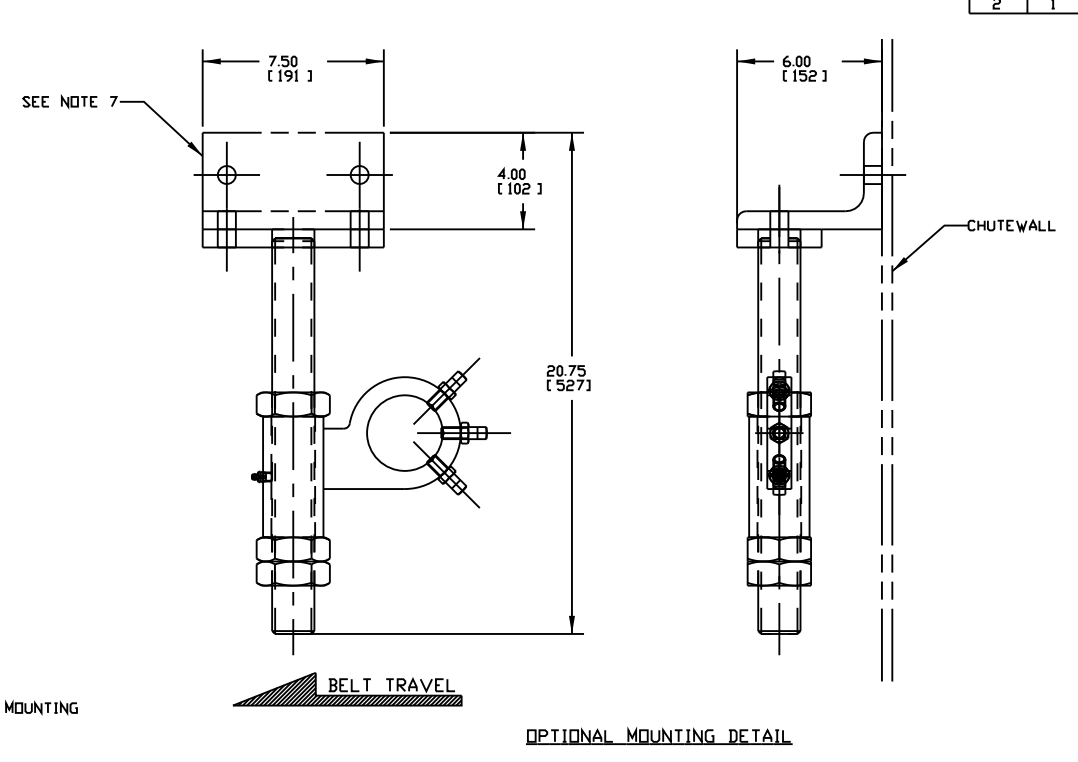
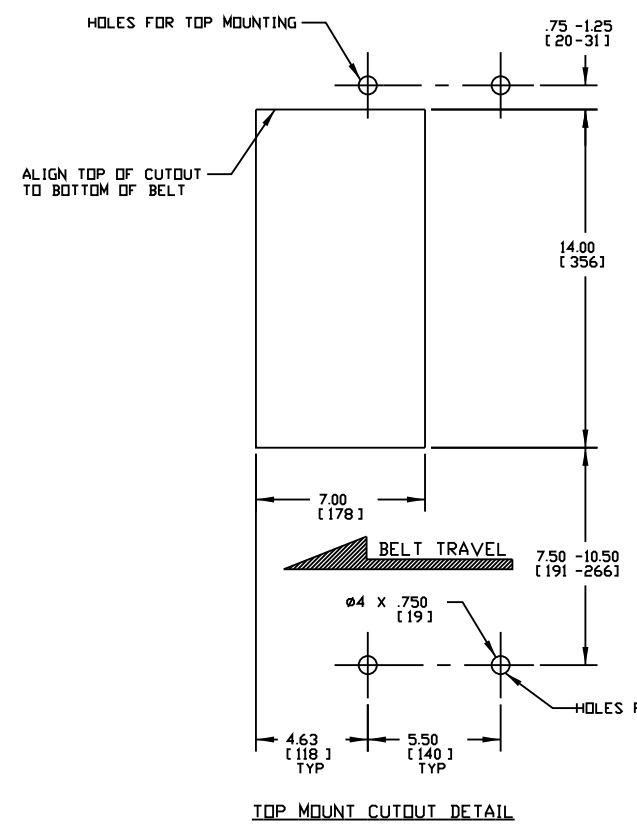
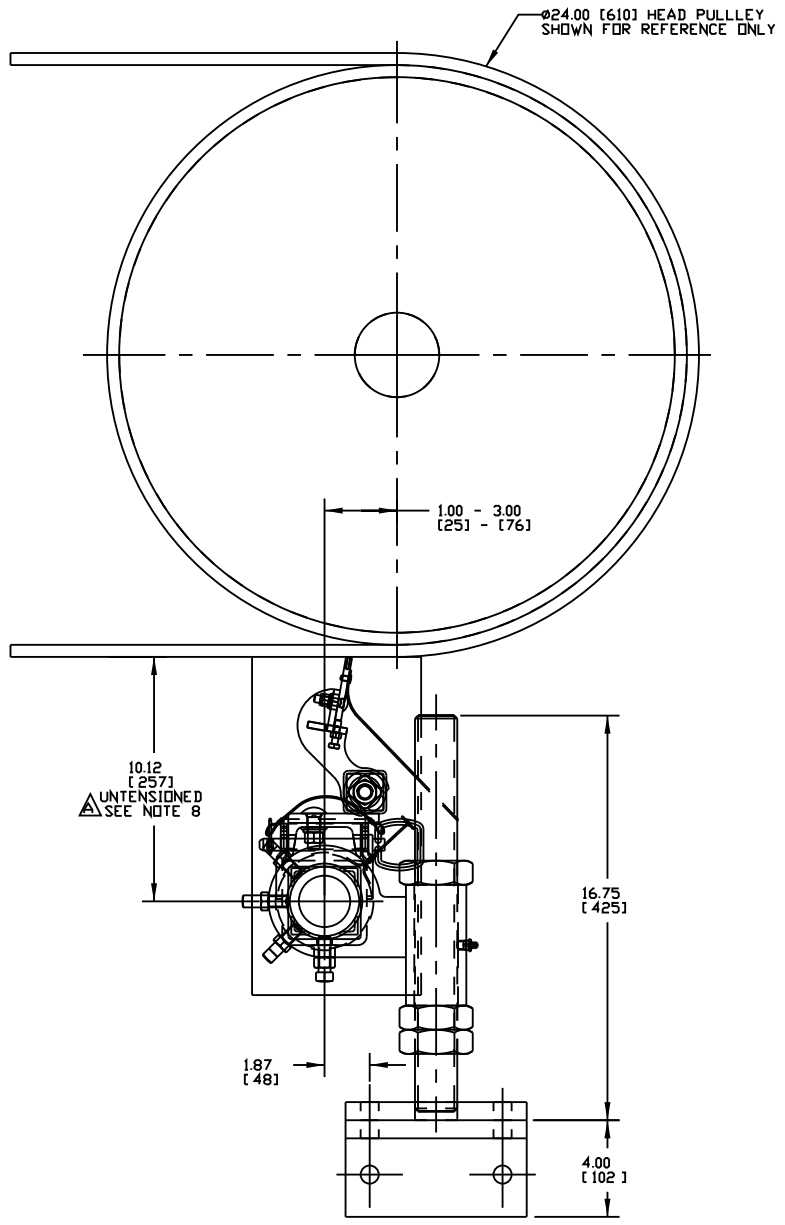


ITEM	QTY.	DESCRIPTION	PART NUMBER
1	1	DR-2000 SECONDARY CLEANER ASM	SEE CHART
2	1	SOLID MOUNT SPINDLE TENS	DR-3-SMSP

PART NO.	BELT WIDTH	DIM "A"	DIM "B"	DIM "C"
DR2000-30X-SS	30.00 [650-800]	81.00 [2057]	30.00 [762]	24.00 [610]
DR2000-36X-SS	36.00 [800-1000]	87.00 [2210]	36.00 [914]	30.00 [762]
DR2000-42X-SS	42.00 [1000-1200]	93.00 [2362]	42.00 [1067]	36.00 [914]
DR2000-48X-SS	48.00 [1200-1400]	99.00 [2515]	48.00 [1219]	42.00 [1067]
DR2000-54X-SS	54.00 [1400-1600]	105.00 [2667]	54.00 [1372]	48.00 [1219]
DR2000-60X-SS	60.00 [1600-1800]	111.00 [2819]	60.00 [1524]	54.00 [1372]
DR2000-66X-SS	66.00 [1800-2000]	117.00 [2972]	66.00 [1676]	60.00 [1524]
DR2000-72X-SS	72.00 [2000-2200]	123.00 [3124]	72.00 [1829]	66.00 [1676]
DR2000-84X-SS	84.00 [2200-2400]	135.00 [3429]	84.00 [2134]	78.00 [1981]
DR2000-96X-SS	96.00 [2400-2600]	147.00 [3734]	96.00 [2438]	90.00 [2286]

BLADE CHART		
PART NO.	BLADE PART NO.	DEFLECTOR MATERIAL
DR2000-XXW-SS	DR-TC-P	POLYETHYLENE
DR2000-XXT-SS	DR-TC-T-P	TEFLON



- NOTES:
- ALL DIMENSIONS ARE GIVEN IN INCHES [MM].
 - ALL DIMENSIONS ARE FOR REFERENCE ONLY.
 - THE FIRST TWO XX'S INDICATE THE BELT WIDTH. THE NEXT X INDICATES BLADE TYPE.
W = WEAR CARBIDE WITH POLYETHYLENE DEFLECTOR
T = WEAR CARBIDE WITH TEFLON DEFLECTOR
THE SS INDICATES TENSIONER TYPE. IF NO TENSIONER IS NEEDED LEAVE THE SS OFF.
SS = SOLID MOUNT, 16" SOLID SPINDLE
 - WHERE EXTREME OR UNUSUAL CONDITIONS EXIST, OR SPECIAL MAINFRAME LENGTHS ARE REQUIRED, CONTACT MARTIN.
 - TENSIONER ASSEMBLY MAY BE BOLTED OR WELDED IN PLACE. MARTIN ENGINEERING RECOMMENDS BOLTING WHEN APPLICABLE FOR EASIER MAINTENANCE AND ACCESSIBILITY.
 - REFER TO OPERATOR'S MANUAL M3702, FOR INSTALLATION AND TENSIONING INSTRUCTIONS.
 - TENSIONER CAN BE MOUNTED TO EXISTING STRUCTURE WITHOUT USING THE ANGLE MOUNTING BRACKET.
 - CLEANER IS SHOWN UNTENSIONED. TO TENSION ADJUST UP UNTIL BLADE IS 90° TO BELT.

NO.	DESCRIPTION	ECN	DATE	BY
A	CHGD DIM FROM 1017 TO 1013	12764	01/18/10	MJB
	REVISION			

Copyright 2010 Martin Engineering. All rights reserved. Covered by U.S. and Foreign patents pending and issued. R and TM indicate trademarks of Martin Engineering.

MARTIN ENGINEERING NEPONSET ILLINOIS USA

TITLE	DR-2000 SEC CLEANER ASM W/SOLID MOUNT SPINDLE TENS	DRAWN	RND
		DATE	03/16/09
		CHECKED	
		ENG.	JAP
		DATE	03/17/09
		APPROVED DM	
		DATE	03/17/09
		SCALE	1/4

SALES DRAWING M00771 S50023-SS