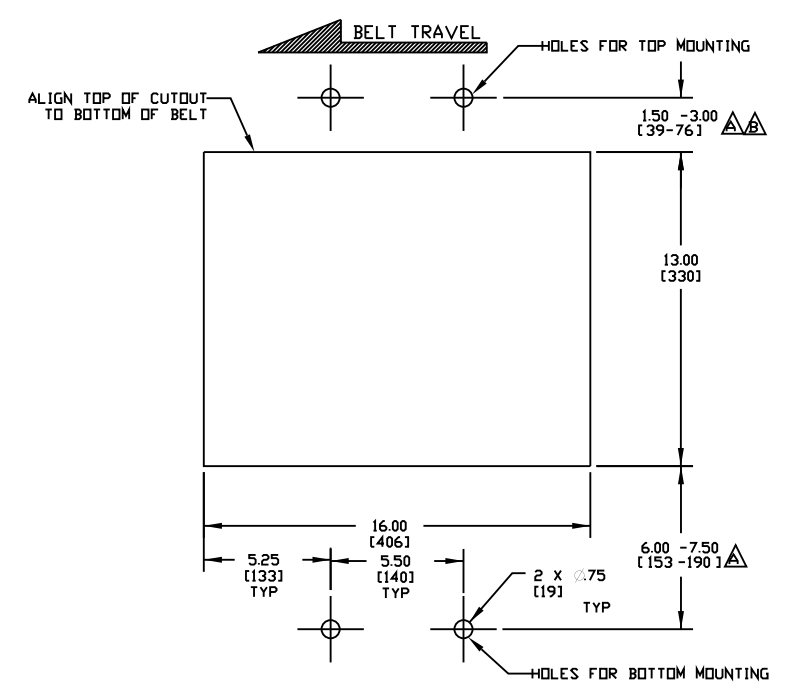
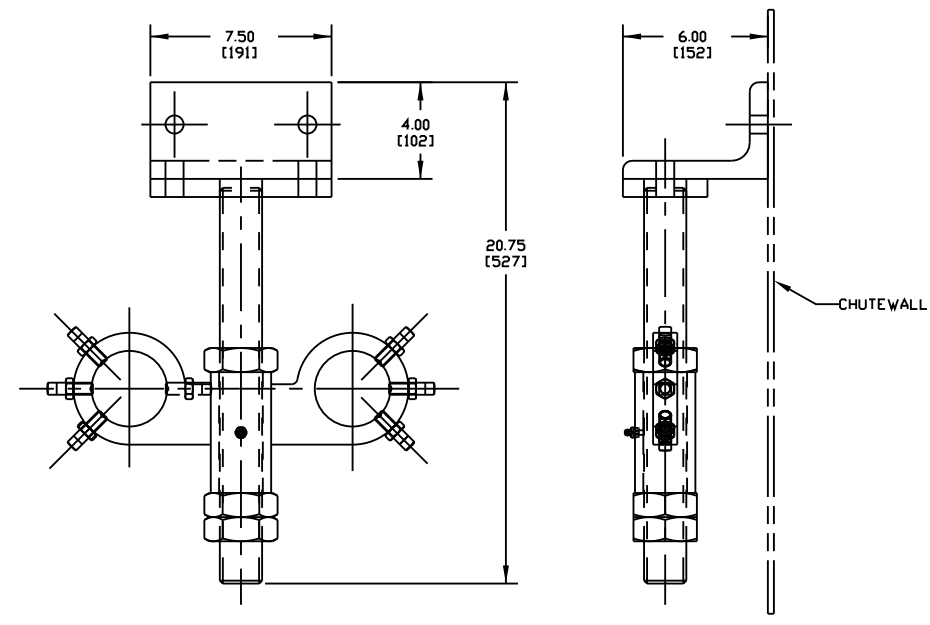


ITEM	QTY.	DESCRIPTION	PART NUMBER
1	2	H204000 TERTIARY CLEANER ASM	SEE CHART
2	1	DOUBLE SOLID MOUNT SPINDLE TENS	DR-3-DSM
3	1	WATER SPRAY BAR KIT	34879-XXXHD

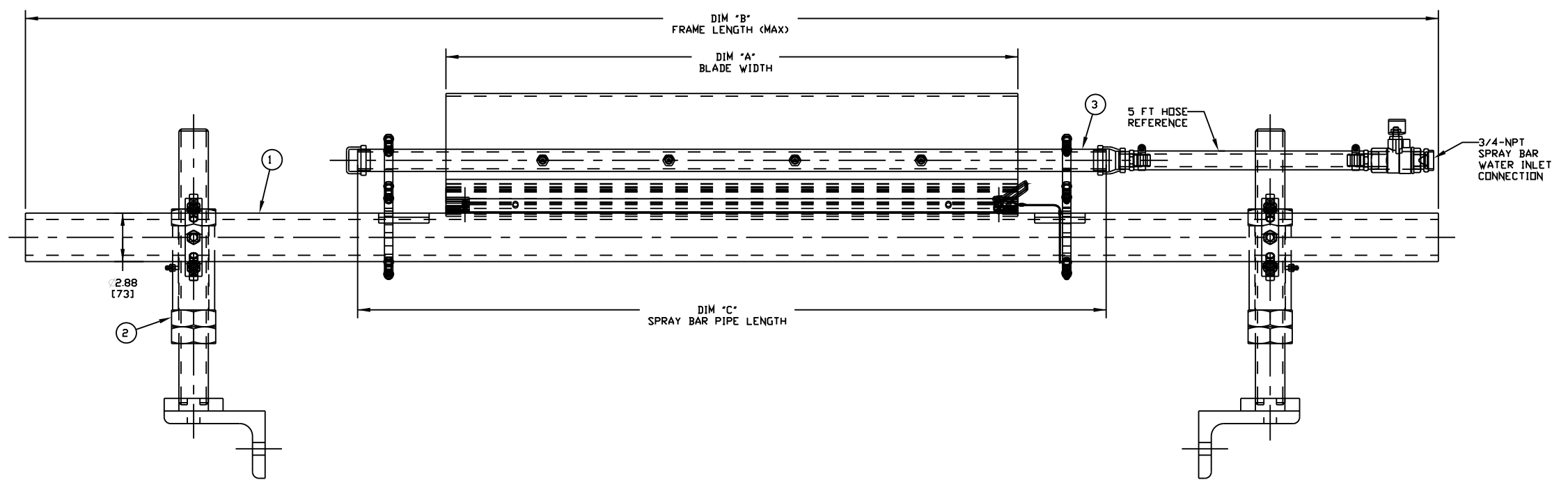
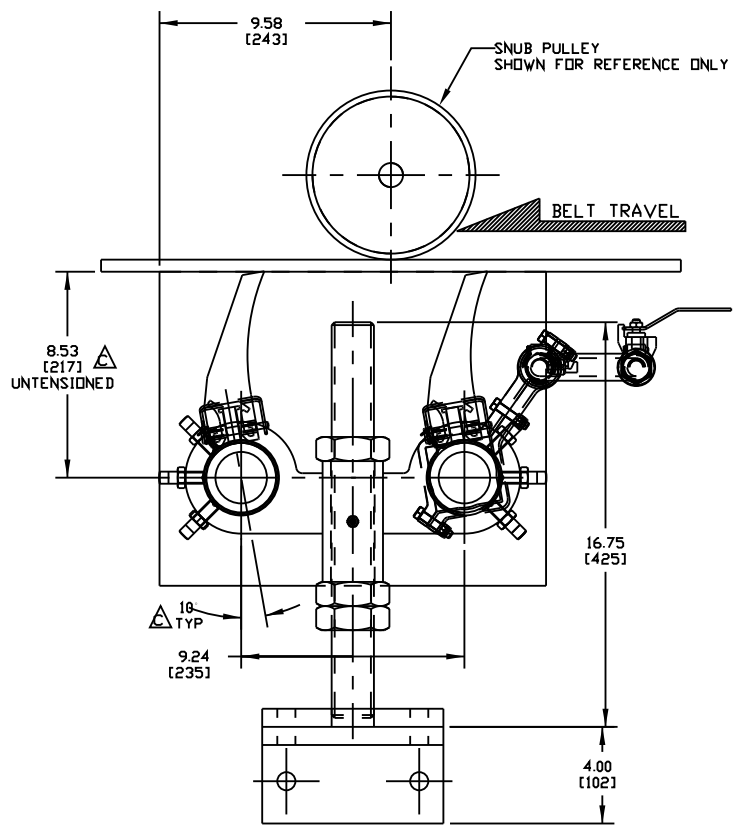
PART NO.	DIM 'A'	DIM 'B'	DIM 'C'	NUMBER SP. BAR NOZZLES
H204000-18-XXXX	16.00 [406]	72.00 [1829]	26.50 [673]	2
H204000-24-XXXX	22.00 [559]	72.00 [1829]	32.50 [826]	3
H204000-30-XXXX	28.00 [711]	84.00 [2134]	38.50 [978]	3
H204000-36-XXXX	34.00 [864]	84.00 [2134]	44.50 [1130]	4
H204000-42-XXXX	40.00 [1016]	96.00 [2438]	50.50 [1283]	5
H204000-48-XXXX	46.00 [1168]	96.00 [2438]	56.50 [1435]	6
H204000-54-XXXX	52.00 [1321]	108.00 [2743]	62.50 [1588]	6
H204000-60-XXXX	58.00 [1473]	108.00 [2743]	68.50 [1740]	7
H204000-66-XXXX	64.00 [1626]	120.00 [3048]	74.50 [1892]	8
H204000-72-XXXX	70.00 [1778]	120.00 [3048]	80.50 [2045]	9
H204000-84-XXXX	82.00 [2083]	132.00 [3353]	92.50 [2350]	11



CHUTEWALL CUTOUT DETAIL



OPTIONAL MOUNTING DETAIL
SCALE 1/4



- NOTES:
- 1) ALL DIMENSIONS ARE GIVEN IN INCHES [MM].
 - 2) ALL DIMENSIONS ARE FOR REFERENCE ONLY.
 - 3) IN THE PART NUMBER:
THE H204000 INDICATES A HEAVY DUTY SECONDARY WATER SCRAPER
THE FIRST TWO XX'S INDICATES THE BELT WIDTH.
THE NEXT THREE XXX'S INDICATE THE TENSIONER TYPE:
SS = SOLID MOUNT, 16" SOLID SPINDLE
DSS = DUAL SOLID MOUNT, 16" SOLID SPINDLE
THE LAST X INDICATES IF A WATER SPRAY BAR KIT IS INCLUDED:
BLANK = NO WATER SPRAY BAR KIT
W = WITH WATER SPRAY BAR KIT
 - 4) WHERE EXTREME OR UNUSUAL CONDITIONS EXIST, OR SPECIAL MAINFRAME LENGTHS ARE REQUIRED, CONTACT MARTIN.
 - 5) TENSIONER ASSEMBLY MAY BE BOLTED OR WELDED IN PLACE. MARTIN ENGINEERING RECOMMENDS BOLTING WHEN APPLICABLE FOR EASIER MAINTENANCE AND ACCESSIBILITY.
 - 6) REFER TO OPERATOR'S MANUAL M3703, FOR INSTALLATION AND TENSIONING INSTRUCTIONS.
 - 7) TENSIONER CAN BE MOUNTED TO EXISTING STRUCTURE WITHOUT USING THE ANGLE MOUNTING BRACKET.
 - 8) CLEANER IS SHOWN UNTENSIONED.

Copyright 2004 Martin Engineering. All rights reserved. Covered by U.S. and Foreign patents pending and issued. R and TM indicate trademarks of Martin Engineering.

MARTIN ENGINEERING-USA
NEPONSET, IL USA

NO.	DESCRIPTION	ECN	DATE	BY
C	CHGD DIM FROM 8.25 TO 8.53/ADDED DIM 10	12027	06/01/07	MJB
B	CHGD DIM FROM 6.00-7.50 TO 1.50-3.00	11607	03/16/06	RND
A	CHGD DIM FROM 6.00 - 11.00 TO 6.00 - 7.50 / ADDED P/N'S H204000-18-XXXX & H204000-24-XXXX TO CHART	-----	09/28/05	RND

TITLE: H204000 TERTIARY CLNR ASM W/TORSION MOUNT SOLID SPINDLE TENS

SALES DRAWING

REVISION

APPROVED JMM
DATE 06/15/05
SCALE 1/4

DRAWN RND
DATE 05/31/05
CHECKED
ENG. JAP
DATE 06/15/05
APPROVED JMM
DATE 06/15/05
SCALE 1/4

PR10050 S50024-D