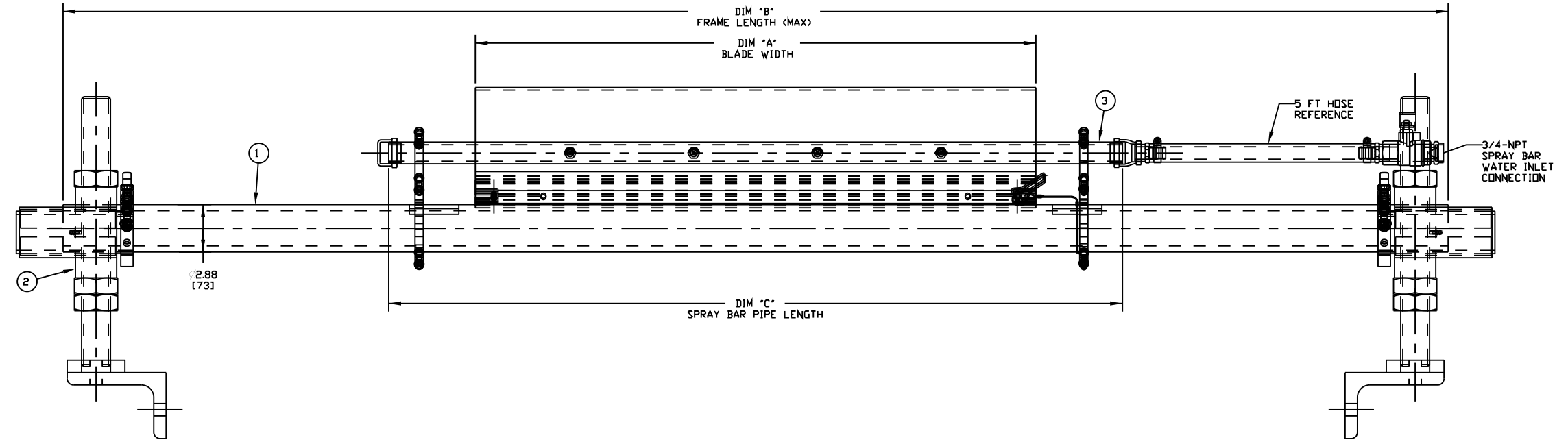
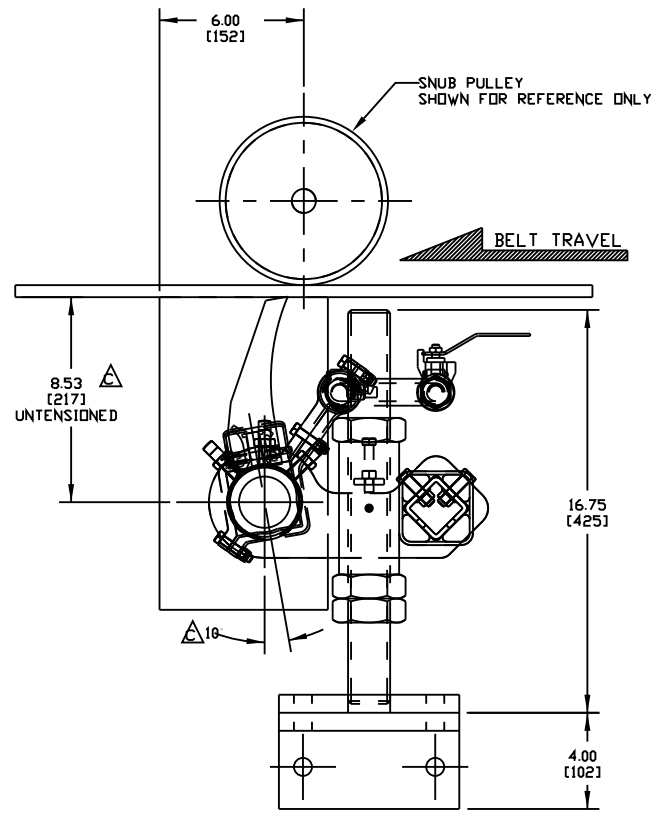
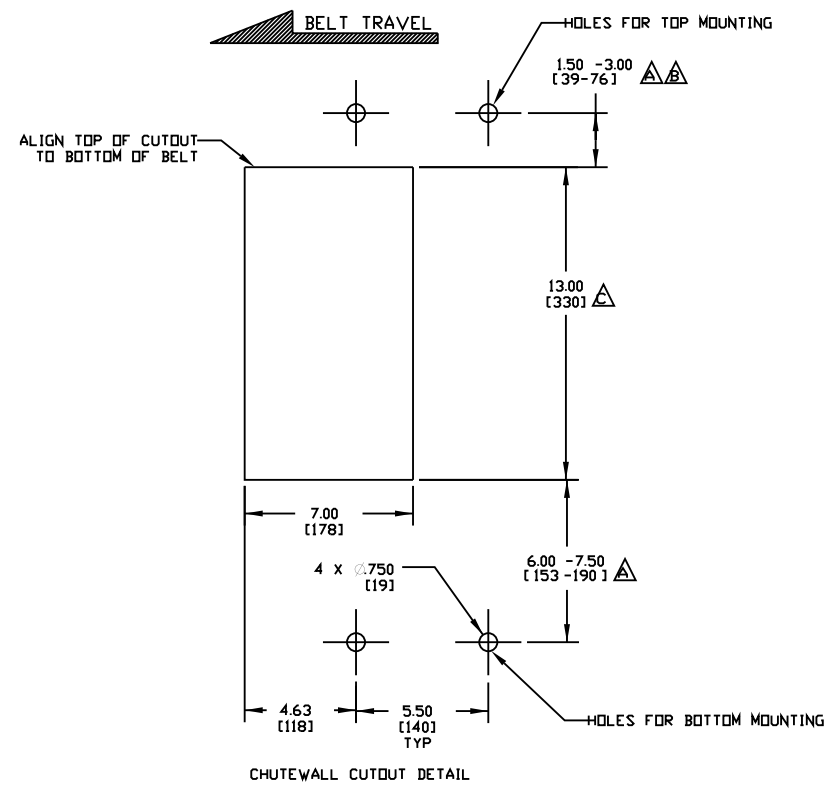


PART NO.	DIM 'A'	DIM 'B'	DIM 'C'	NUMBER SP BAR NOZZLES
H2D4000-18-XXXX	16.00 [406]	72.00 [1829]	26.50 [673]	2
H2D4000-24-XXXX	22.00 [559]	72.00 [1829]	32.50 [826]	3
H2D4000-30-XXXX	28.00 [711]	84.00 [2134]	38.50 [978]	3
H2D4000-36-XXXX	34.00 [864]	84.00 [2134]	44.50 [1130]	4
H2D4000-42-XXXX	40.00 [1016]	96.00 [2438]	50.50 [1283]	5
H2D4000-48-XXXX	46.00 [1168]	96.00 [2438]	56.50 [1435]	6
H2D4000-54-XXXX	52.00 [1321]	108.00 [2743]	62.50 [1588]	6
H2D4000-60-XXXX	58.00 [1473]	108.00 [2743]	68.50 [1740]	7
H2D4000-66-XXXX	64.00 [1626]	120.00 [3048]	74.50 [1892]	8

ITEM	QTY.	DESCRIPTION	PART NUMBER
1	1	H2D4000 TERTIARY CLEANER ASM	SEE CHART
2	1	TORSION MOUNT SOLID SPINDLE TENS	DR-3-TMSP
3	1	WATER SPRAY BAR KIT	34879-XXXHD



- NOTES:
- ALL DIMENSIONS ARE GIVEN IN INCHES [MM].
 - ALL DIMENSIONS ARE FOR REFERENCE ONLY.
 - IN THE PART NUMBER:
 THE H2D4000 INDICATES A HEAVY DUTY SECONDARY WATER SCRAPER
 THE FIRST TWO XX'S INDICATES THE BELT WIDTH.
 THE NEXT THREE XXX'S INDICATE THE TENSIONER TYPE:
 TA2 = TORSION MOUNT, 24" TOP ADJUSTING SPINDLE
 TA3 = TORSION MOUNT, 36" TOP ADJUSTING SPINDLE
 TS = TORSION MOUNT, 16" SOLID SPINDLE
 SA2 = SOLID MOUNT, 24" TOP ADJUSTING SPINDLE
 SA3 = SOLID MOUNT, 36" TOP ADJUSTING SPINDLE
 SS = SOLID MOUNT, 16" SOLID SPINDLE
 DSS = DUAL SOLID MOUNT, 16" SOLID SPINDLE
 THE LAST X INDICATES IF A WATER SPRAY BAR KIT IS INCLUDED:
 BLANK = NO WATER SPRAY BAR KIT
 W = WITH WATER SPRAY BAR KIT
 - WHERE EXTREME OR UNUSUAL CONDITIONS EXIST, OR SPECIAL MAINFRAME LENGTHS ARE REQUIRED, CONTACT MARTIN.
 - TENSIONER ASSEMBLY MAY BE BOLTED OR WELDED IN PLACE. MARTIN ENGINEERING RECOMMENDS BOLTING WHEN APPLICABLE FOR EASIER MAINTENANCE AND ACCESSIBILITY.
 - REFER TO OPERATOR'S MANUAL M3703, FOR INSTALLATION AND TENSIONING INSTRUCTIONS.
 - TENSIONER CAN BE MOUNTED TO EXISTING STRUCTURE WITHOUT USING THE ANGLE MOUNTING BRACKET.
 - CLEANER IS SHOWN UNTENSIONED.
 - TORSION MOUNT TENSIONER (DR-3-TMSP) CANNOT BE USED ON CLEANERS THAT ARE 72' AND ABOVE.

©Copyright 2014 Martin Engineering. All rights reserved. Covered by U.S. and foreign patents pending and issued. R and M indicate trademarks of Martin Engineering.

MARTIN ENGINEERING-USA
NEPONSET, IL USA

NO.	DESCRIPTION	ECN	DATE	BY
D	RWVD P/N H2D4000-72-XXXX & H2D4000-84-XXXX FROM CHART/ADDED NOTE "TORSION MOUNT TENSIONER"	12059	07/19/07	MJB
C	CHGD DIM FROM 8.25 TO 8.53 & 14.00 TO 13.00/ADDED DIM 18	12027	06/01/07	MJB
B	CHGD DIM FROM 6.00-7.50 TO 1.50-3.00	11607	03/16/06	RND
A	CHGD DIM FROM 6.00 - 11.00 TO 6.00 - 7.50 / ADDED P/N'S H2D4000-18-XXXX & H2D4000-24-XXXX TO CHART	-----	09/28/05	RND

TITLE	DATE	SCALE
H2D4000 TERTIARY CLNR ASM W/TORSION MOUNT SOLID SPINDLE TENS	05/24/05	1/4

SALES DRAWING	APPROVED	DATE
PRI0050	JMM	06/15/05