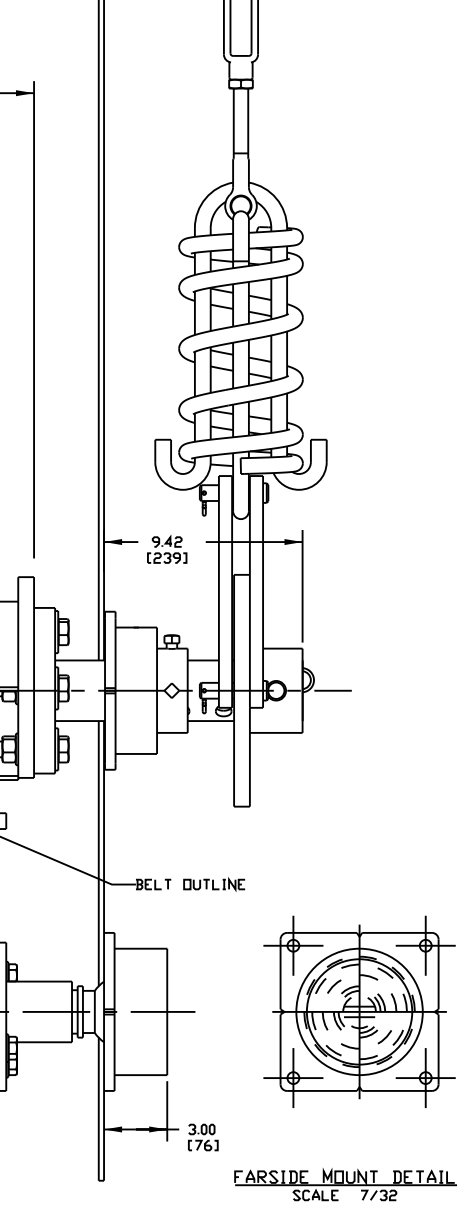
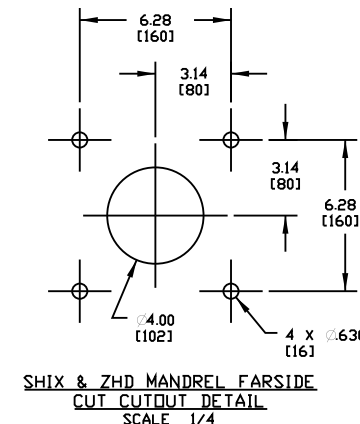
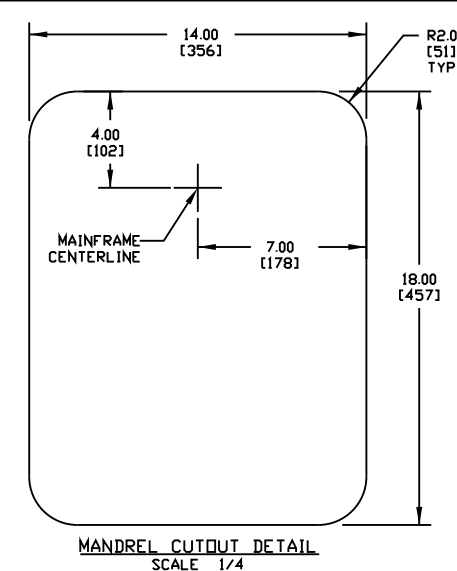
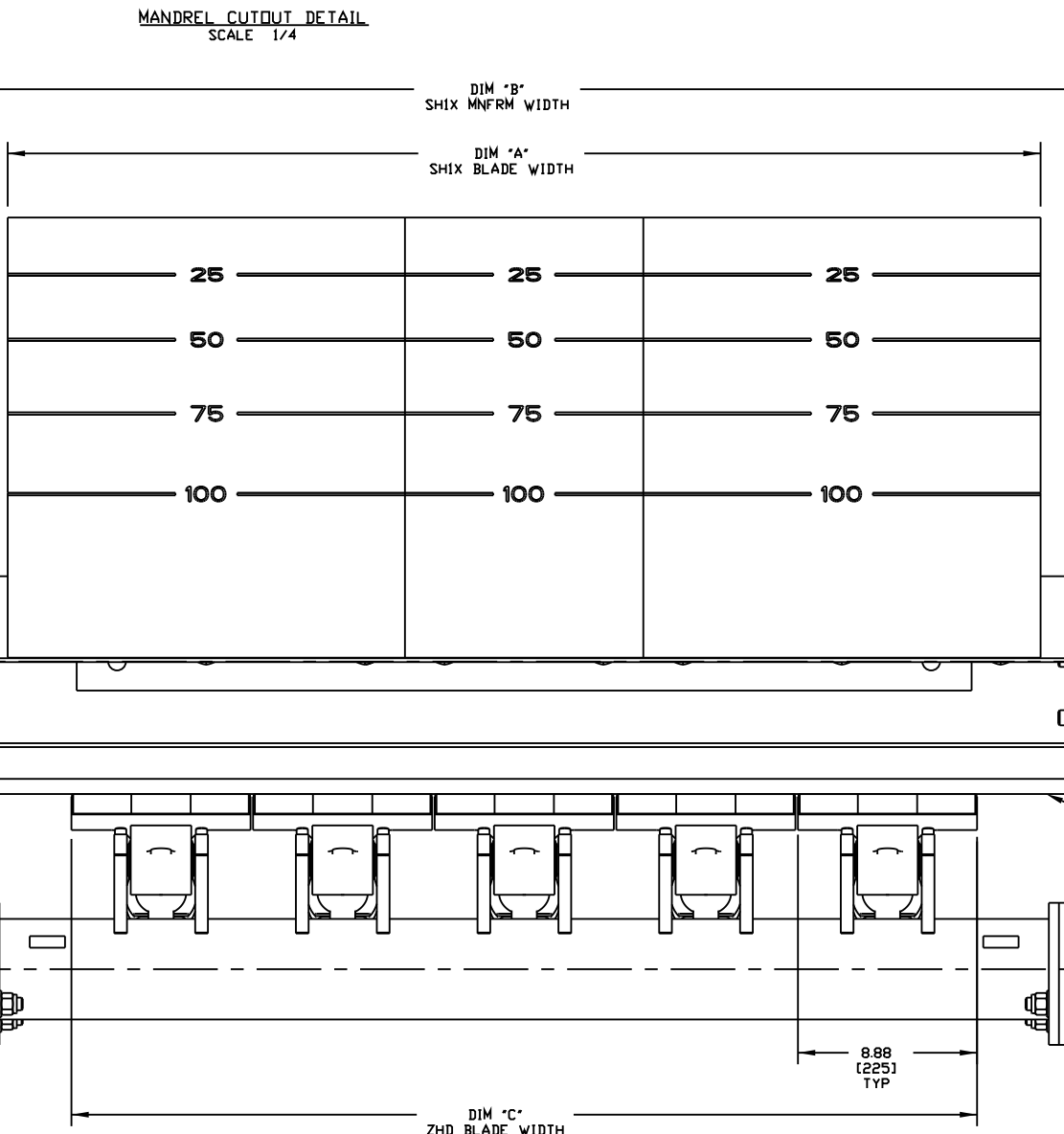
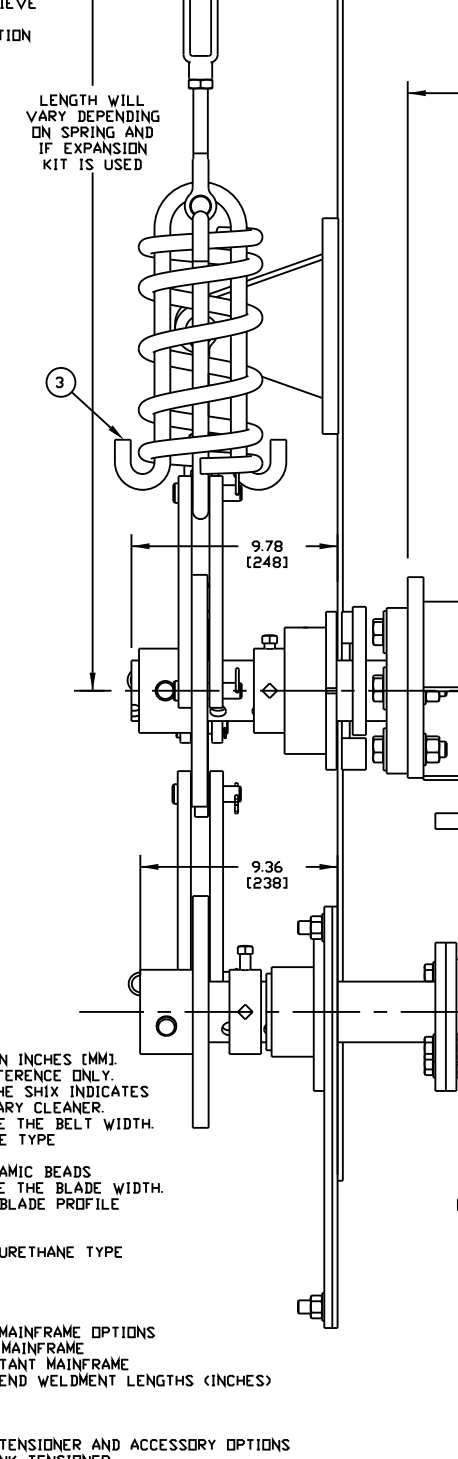
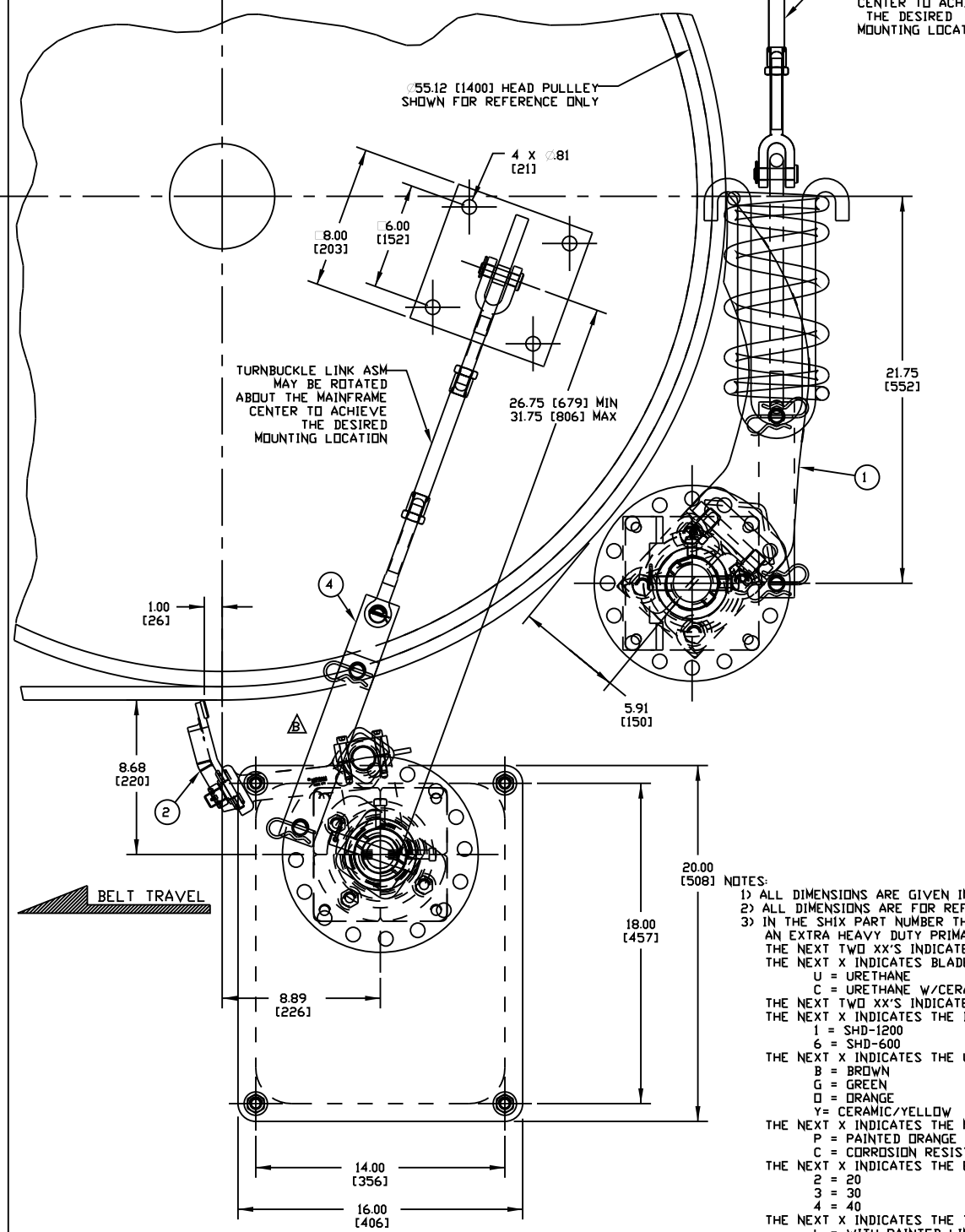


ASSEMBLY PART NUMBER	DIM "A" BLADE LENGTH	DIM "B" MNFRM LENGTH
SHIX-42X39XXXX	39.38 [1000]	44.81 [1138]
SHIX-48X43XXXX	43.31 [1100]	48.75 [1238]
SHIX-54X51XXXX	51.19 [1300]	56.63 [1438]
SHIX-60X59XXXX	59.06 [1500]	64.50 [1638]
SHIX-72X71XXXX	70.88 [1800]	76.31 [1938]
SHIX-84X79XXXX	78.75 [2000]	84.19 [2138]
SHIX-96X83XXXX	82.69 [2100]	88.13 [2239]
SHIX-ABX71XXXX	70.88 [1800]	103.88 [2639]
SHIX-ABX98XXXX	98.44 [2500]	103.88 [2639]
SHIX-C0XA2XXXX	102.38 [2600]	107.81 [2738]

PART NO.	DIM "C" BLADE WIDTH
36328-24	17.88 [454]
36328-30	26.88 [683]
36328-36	26.88 [683]
36328-42	35.88 [911]
36328-48	44.88 [1140]
36328-54	44.88 [1140]
36328-60	53.88 [1369]
36328-72	62.88 [1597]
36328-84	80.88 [2054]
36328-96	89.88 [2283]

ITEM	QTY.	DESCRIPTION	PART NUMBER
1	1	SHIX PRIMARY CLEANER ASM	SHIX-XXXXXXXXXX
2	1	ZHD SECONDARY CLEANER ASM	36328-XX
3	1	DUAL SPRING LINK TENSIONER ASM	35978-DXXMX
4	1	MANDREL MOUNT LINK TENSIONER ASM	36535-XX



- NOTES:
- WHERE EXTREME OR UNUSUAL CONDITIONS EXIST, OR SPECIAL MAINFRAME LENGTHS ARE REQUIRED, CONTACT MARTIN
  - THE SHIX PRECLEANER BLADES ARE DESIGNED TO REMOVE HEAVY CARRYBACK ONLY. DO NOT OVERTENSION.
  - BLADE COVERAGE WILL BE LESS THAN BELT WIDTH DUE TO POSSIBLE MISTRACKING OR DAMAGED EDGES OF BELT.
  - REQUIRED EFFECTIVE HEAD PULLEY DIAMETERS (HEAD PULLEY + LAGGING + BELT THICKNESS) ARE 47.24 [1200] MINIMUM THRU 70.87 [1800] MAXIMUM FOR THE SHIX-1200.
  - FRAME LENGTH IS SUPPLIED LONGER THAN REQUIRED, CUT IN FIELD TO DESIRED LENGTH.
  - TENSIONER ASSEMBLY MAY BE BOLTED OR WELDED IN PLACE. MARTIN ENGINEERING RECOMMENDS BOLTING WHEN APPLICABLE FOR EASIER MAINTENANCE AND ACCESSIBILITY.
  - REFER TO OPERATOR'S MANUAL'S, FOR INSTALLATION AND TENSIONING INSTRUCTIONS.
  - CLEANERS ARE SHOWN IN RECOMMENDED POSITIONS.

Copyright 2004 Martin Engineering. All rights reserved. Covered by U.S. and Foreign patents pending and issued. ® and TM indicate trademarks of Martin Engineering.

MARTIN ENGINEERING-USA  
NEPONSET, IL USA

TITLE	SHIX PRIMARY CLEANER AND ZHD SECONDARY CLEANER SPR LINK/MANDREL TENS	NO.	DESCRIPTION	REVISION
B	ROTATED AND RELOCATED TURNBUCKLE TO SECONDARY CLEANER (M00630)	04/21/10	RND	
A	TRAVEL OPTION "E" & "F" (TENSIONERS W/EXPANSION KIT) FROM THE TENSIONER AND ACCESSORY OPTIONS NOTE	06/04/09	MJB	

SALES DRAWING

M00630 S50025

SCALE 7/32