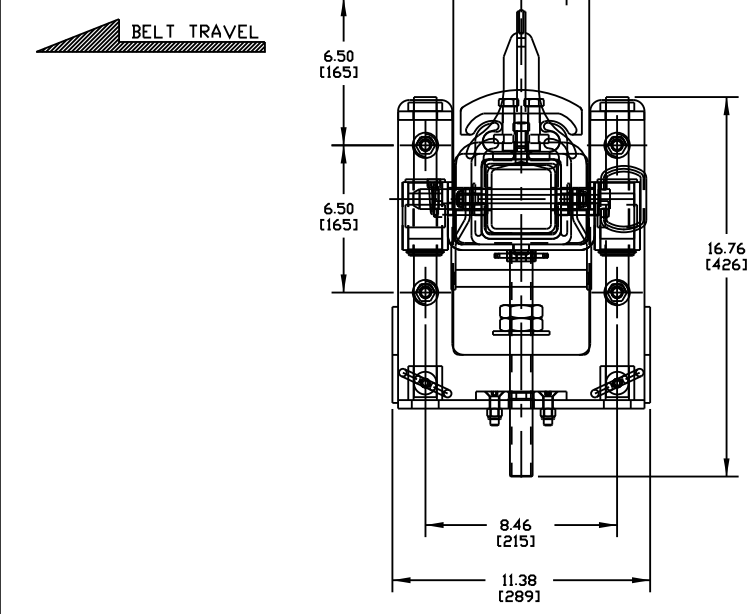
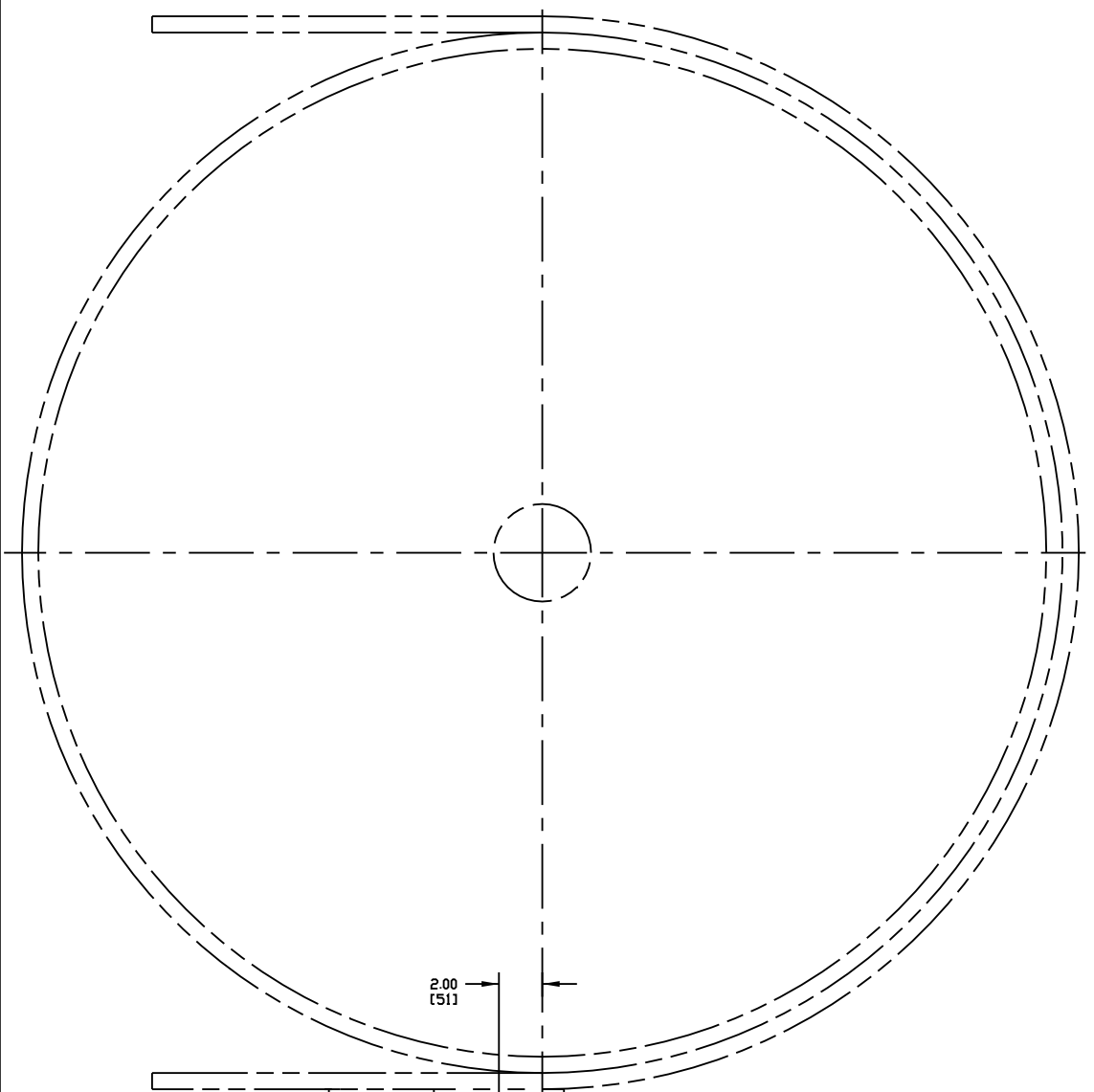


ASSEMBLY PART NO	BLADE TYPE	BLADE PART NO
DT2H-XXTXXXXXX	REVERSING TC	32494-T
DT2H-XXUXXXXXX	REVERSING URETHANE	32494-06U



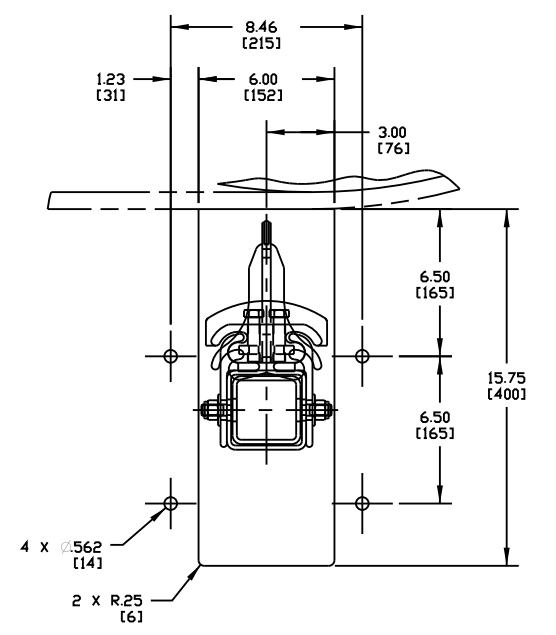
ASSEMBLY PART NO	DIM "A"	DIM "B"	DIM "C"	DIM "D"	DIM "E"	BLADE QTY
DT2H-18X12XXXX	12.00 [305]	27.00 [686]	36.16 [918]	49.50 [1257]	4.75 [121]	2
DT2H-18X18XXXX	18.00 [457]	27.00 [686]	36.16 [918]	49.50 [1257]	1.75 [44]	3
DT2H-24X18XXXX	18.00 [457]	33.00 [838]	42.16 [1071]	55.50 [1410]	4.75 [121]	3
DT2H-24X24XXXX	24.00 [610]	33.00 [838]	42.16 [1071]	55.50 [1410]	1.75 [44]	4
DT2H-30X24XXXX	24.00 [610]	39.00 [991]	48.16 [1223]	61.50 [1562]	4.75 [121]	4
DT2H-30X30XXXX	30.00 [762]	39.00 [991]	48.16 [1223]	61.50 [1562]	1.75 [44]	5
DT2H-36X30XXXX	30.00 [762]	45.00 [1143]	54.16 [1376]	67.50 [1715]	4.75 [121]	5
DT2H-36X36XXXX	36.00 [914]	45.00 [1143]	54.16 [1376]	67.50 [1715]	1.75 [44]	6
DT2H-42X36XXXX	36.00 [914]	51.00 [1295]	60.16 [1528]	73.50 [1867]	4.75 [121]	6
DT2H-42X42XXXX	42.00 [1067]	51.00 [1295]	60.16 [1528]	73.50 [1867]	1.75 [44]	7
DT2H-48X42XXXX	42.00 [1067]	57.00 [1448]	66.16 [1680]	79.50 [2019]	4.75 [121]	7
DT2H-48X48XXXX	48.00 [1219]	57.00 [1448]	66.16 [1680]	79.50 [2019]	1.75 [44]	8
DT2H-54X48XXXX	48.00 [1219]	63.00 [1600]	72.16 [1833]	85.50 [2172]	4.75 [121]	8
DT2H-54X54XXXX	54.00 [1372]	63.00 [1600]	72.16 [1833]	85.50 [2172]	1.75 [44]	9
DT2H-60X54XXXX	54.00 [1372]	69.00 [1753]	78.16 [1985]	91.50 [2324]	4.75 [121]	9
DT2H-60X60XXXX	60.00 [1524]	69.00 [1753]	78.16 [1985]	91.50 [2324]	1.75 [44]	10
DT2H-66X60XXXX	60.00 [1524]	75.00 [1905]	84.16 [2138]	97.50 [2477]	4.75 [121]	10
DT2H-66X66XXXX	66.00 [1676]	75.00 [1905]	84.16 [2138]	97.50 [2477]	1.75 [44]	11
DT2H-72X66XXXX	66.00 [1676]	81.00 [2057]	90.16 [2290]	103.50 [2629]	4.75 [121]	11
DT2H-84X78XXXX	78.00 [1981]	93.00 [2362]	102.16 [2595]	115.50 [2934]	4.75 [121]	13
DT2H-96X90XXXX	90.00 [2286]	105.00 [2667]	114.16 [2900]	127.50 [3239]	4.75 [121]	15
DT2H-114X108XXXX	108.00 [2743]	123.00 [3124]	132.16 [3357]	145.50 [3696]	4.75 [121]	18

- NOTES:
- 1) ALL DIMENSIONS ARE GIVEN IN INCHES (MM).
  - 2) ALL DIMENSIONS ARE FOR REFERENCE PURPOSES ONLY.
  - 3) BOLT OR WELD TENSIONER ASSEMBLY IN PLACE. BOLT TENSIONERS WHEN APPLICABLE FOR EASE OF MAINTENANCE AND ACCESSIBILITY.
  - 4) CENTER BLADES ON BELT SURFACE.
  - 5) WHERE EXTREME OR UNUSUAL CONDITIONS EXIST OR SPECIAL MAINFRAME LENGTHS ARE REQUIRED CONSULT MARTIN ENGINEERING FOR ASSISTANCE.
  - 6) REFER TO OPERATOR'S MANUAL M3699 FOR INSTALLATION INSTRUCTIONS.
  - 7) IF INSTALLED ON CROWN PULLEY, CLEANER MUST BE LOCATED 7.00 [178] FROM CENTERLINE.
  - 8) CLEANER MUST BE MOUNTED WITH BLADES PERPENDICULAR TO BELT SURFACE.

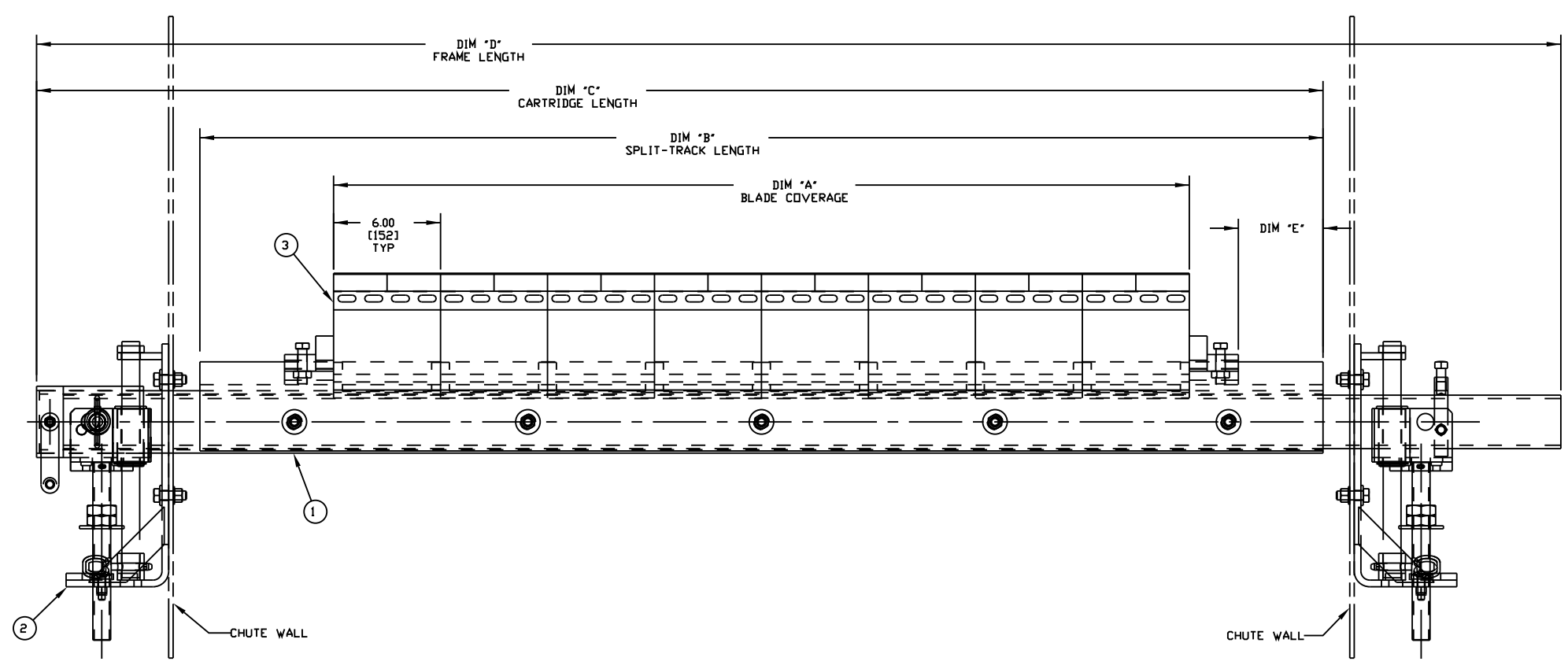
- NOTES CONTINUED:
- 9) THE FIRST TWO XX'S IN THE ASM P/N INDICATES BELT WIDTH. THE NEXT X INDICATES BLADE TYPE.
    - 0 = NO BLADES
    - A = INLINE TUNGSTEN CARBIDE BLADE
    - T = REVERSING TUNGSTEN CARBIDE BLADE
    - U = REVERSING URETHANE BLADE
  - THE NEXT TWO XX'S INDICATE BLADE COVERAGE.
    - 00 = NO BLADES
    - THE NEXT TWO XX'S INDICATE BLADE COLOR:
      - 00 = NO BLADES
      - BR = BROWN
      - GR = GREEN
      - OR = ORANGE
  - THE NEXT X INDICATES MAINFRAME TYPE:
    - P = PAINTED
  - THE LAST X INDICATES ACCESSORY OPTIONS:
    - 0 = NO TENSIONER
    - A = HEAVY DUTY INLINE/REV AIR TENSIONER
    - S = HEAVY DUTY INLINE/REV SPRING TENSIONER

ITEM	QTY.	DESCRIPTION	PART NUMBER
1	1	XHD DT SPLIT TRACK SECONDARY ASM	DT2H-XXXXXXX
2	1	XHD INLINE/REV SPRING TENSIONER	37806
3	S/C	REPLACEMENT REVERSING BLADE	SEE CHART

S/C = SEE CHART



CHUTE CUTOUT DETAIL  
SCALE 15/64



Copyright 2012 Martin Engineering. All rights reserved. Covered by U.S. and Foreign patents pending and issued. R and TM indicate trademarks of Martin Engineering.

MARTIN ENGINEERING-USA  
NEPONSET, IL USA

C	RMVD "D" & "E" BLADE OPTION FROM NOTES	-----	03/30/12	MJB	TITLE	XHD DURT TRACKER® SPLIT-TRACK SEC ASM W/REV BLD'S/SPR TENS	DRAWN RND	06/17/05
B	(DIM 54 TO 96 BELT WIDTHS) CHGD P/N FROM 37806-1 TO 37806 IN THE BDM/RMVD TENSIONER CHART	-----	12/31	MJB	SALES DRAWING		CHECKED	
A	CHGD ASM P/N'S FROM DT2S TO DT2H IN CHART	-----	12/06/05	RND			ENG. JAP	06/17/05
NO.	DESCRIPTION	ECN	DATE	BY			APPROVED JMM	06/20/05
	REVISION							SCALE 15/64