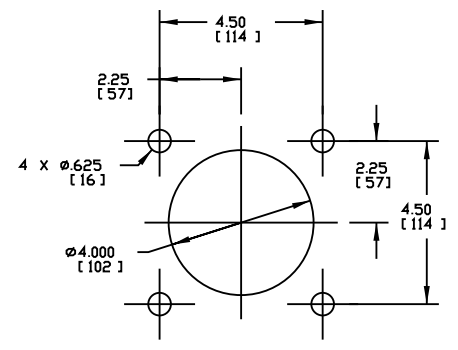
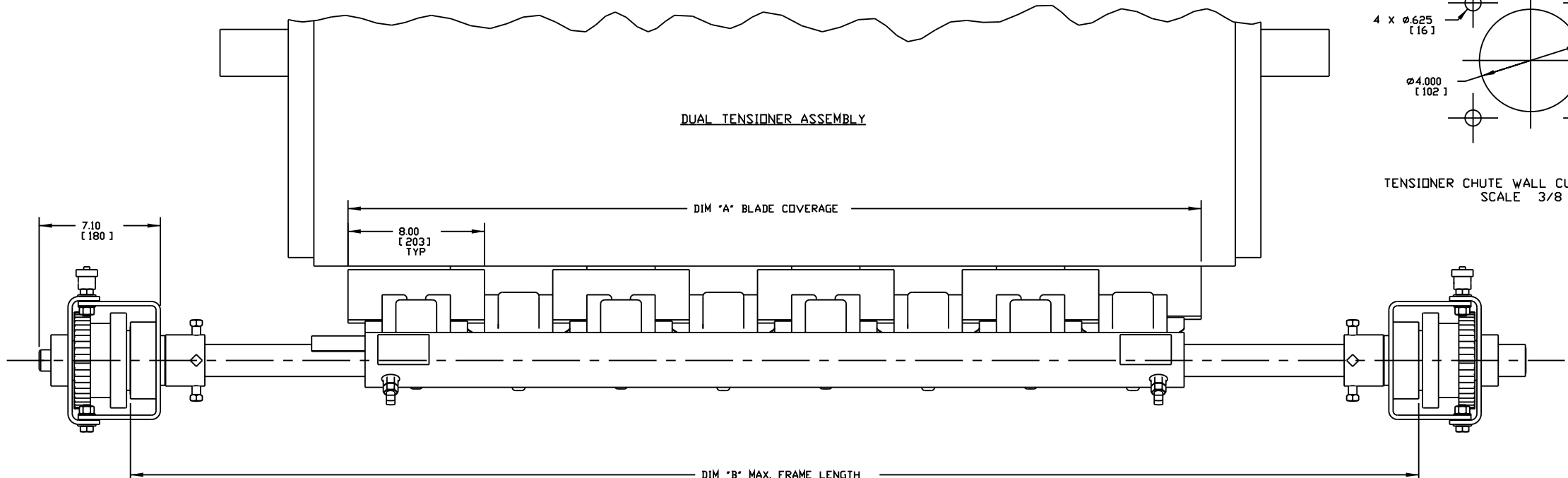
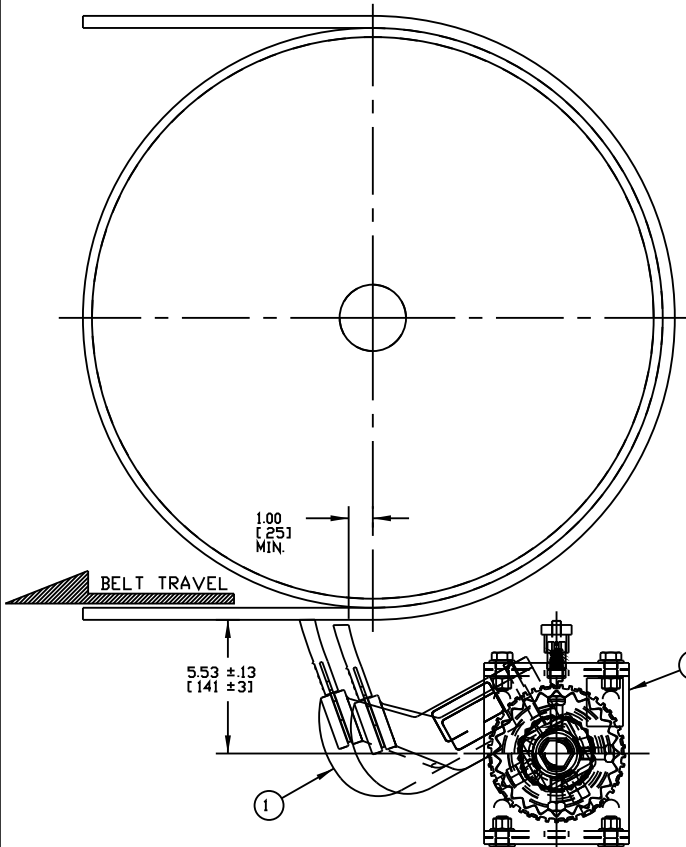


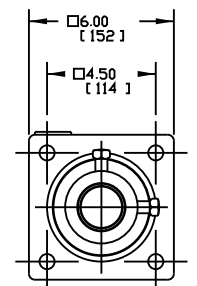
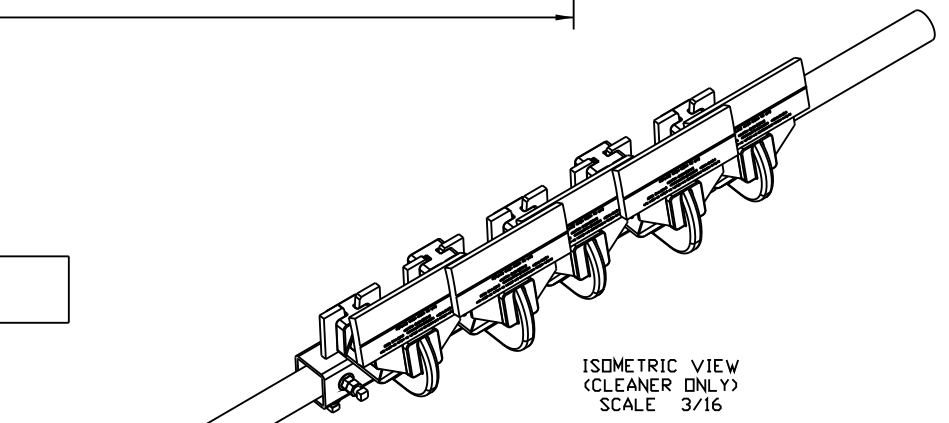
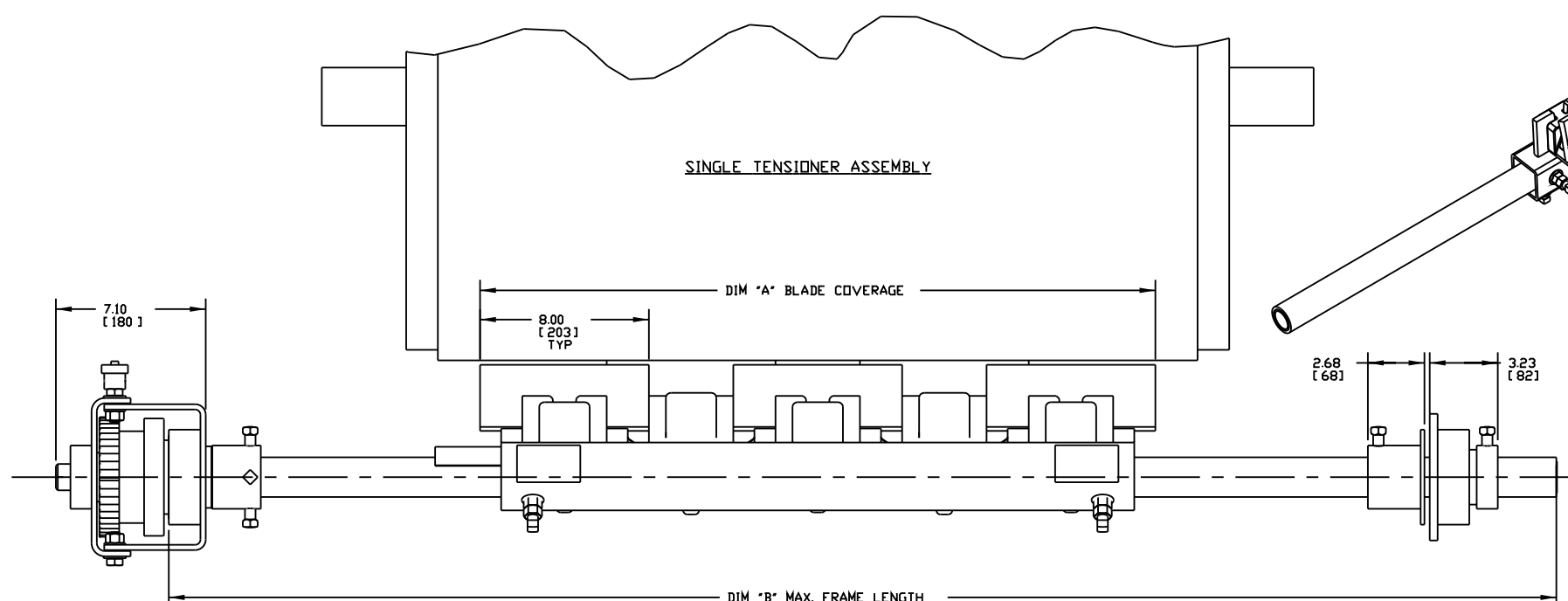
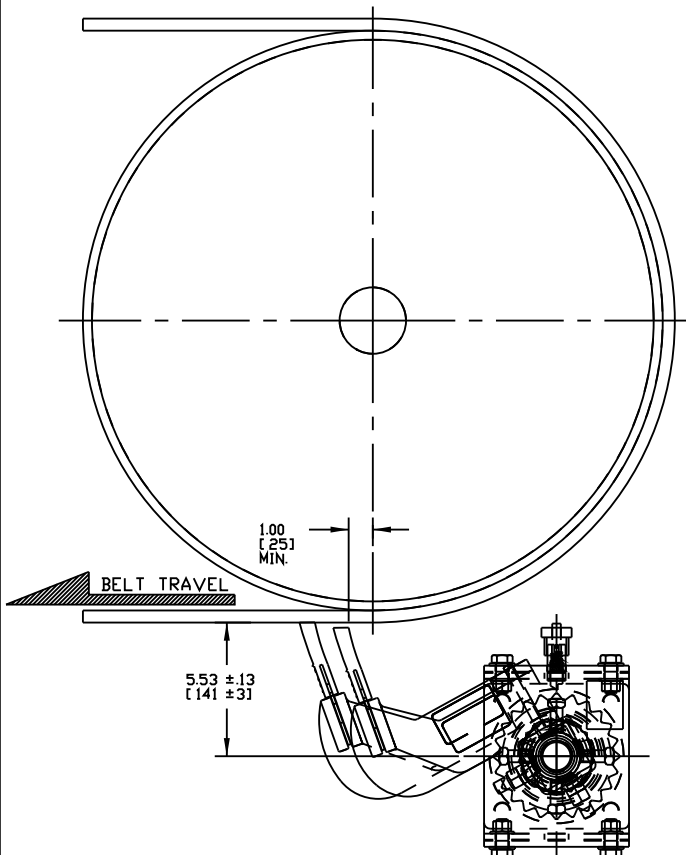
ASSEMBLY PART NO.	DIM "A" BLD COVERAGE	DIM "B" MAX FRAME LG	TENSIONER PART NO.	SHORT ARM QTY	LONG ARM QTY	BLADE QTY
37144-18UX-X	14.00 [356]	40.00 [1016]	31443	1	1	2
37144-24UX-X	20.00 [508]	46.00 [1168]	31443	2	1	3
37144-30UX-X	26.00 [660]	58.00 [1473]	31443	2	2	4
37144-36UX-X	32.00 [813]	64.00 [1626]	31443	3	2	5
37144-42UX-X	38.00 [965]	70.00 [1778]	31443	3	3	6
37144-48UX-X	44.00 [1118]	76.00 [1930]	31443	4	3	7
37144-54UX-X	50.00 [1270]	82.00 [2083]	31443-2R	4	4	8
37144-60UX-X	56.00 [1422]	94.00 [2388]	31443-2R	5	4	9
37144-66UX-X	62.00 [1575]	100.00 [2540]	31443-2R	5	5	10
37144-72UX-X	68.00 [1727]	106.00 [2692]	31443-2R	6	5	11
37144-78UX-X	74.00 [1880]	117.00 [2972]	31443-2R	6	6	12
37144-84UX-X	80.00 [2032]	123.00 [3124]	31443-2R	7	6	13
37144-96UX-X	92.00 [2337]	135.00 [3429]	31443-2R	8	7	15

BLADE CHART	
ASSEMBLY P/N	URETHANE BLADE MATERIAL AND INSERT DESCRIPTION
37144-XXUSS-X	ORANGE URETHANE BLD W/STL INSERT
37144-XXUMS-X	ORANGE URETHANE BLD W/MILD STL INSERT
37144-XXUBR-X	BROWN URETHANE BLD W/STL INSERT
37144-XXUGR-X	GREEN URETHANE BLD W/STL INSERT

ITEM	QTY.	DESCRIPTION	PART NUMBER
1	1	DURT HAWG® HAWG BONE™ SEC ASM	37144-XXUX-X
2	1	TWIST TENSIONER ASSEMBLY	SEE CHART



TENSIONER CHUTE WALL CUTOUT DETAIL
SCALE 3/8



NOTES:
 1) ALL DIMENSIONS ARE GIVEN IN INCHES (MM) AND ARE FOR REFERENCE ONLY.
 2) HAWG BONE® LONG AND SHORT ARMS ARE TO BE STAGGERED ON MAINFRAME AS SHOWN ALWAYS STARTING WITH A SHORT ARM.
 3) IN THE ASSEMBLY PART NUMBER THE FIRST TWO XX'S INDICATES BELT WIDTH, THE U INDICATES URETHANE BLADE TYPE, THE NEXT TWO XX'S INDICATE BLADE TYPE AND ARM COLOR (SEE CHART). THE LAST X INDICATES TWIST TENSIONER (T) INCLUDED. LEAVE BLANK FOR NO TENSIONER.
 4) WHERE EXTREME OR UNUSUAL CONDITIONS EXIST, OR SPECIAL MAINFRAME LENGTHS ARE REQUIRED, CONTACT MARTIN.

NOTES:
 5) BLADE COVERAGE WILL BE LESS THAN BELT WIDTH DUE TO POSSIBLE MISTRACKING OR DAMAGED EDGES OF BELT.
 6) TENSIONER ASSEMBLY MAY BE BOLTED OR WELDED IN PLACE. MARTIN ENGINEERING RECOMMENDS BOLTING WHEN APPLICABLE FOR EASIER MAINTENANCE AND ACCESSIBILITY.
 7) IN SEVERE APPLICATIONS THE TWIST TENSIONER ADAPTER MAY REQUIRE TO BE WELDED TO THE MAINFRAME.
 8) REFER TO OPERATOR'S MANUAL'S, FOR INSTALLATION AND TENSIONING INSTRUCTIONS.
 9) CLEANER IS SHOWN IN UNTENSIONED POSITION.
 10) FRAME IS ADJUSTABLE TO DESIRED LENGTH.

©Copyright 2008 Martin Engineering. All rights reserved. Covered by U.S. and Foreign patents pending and issued. R and TM indicate trademarks of Martin Engineering.

MARTIN ENGINEERING NEPONSET ILLINOIS USA

TITLE	DURT HAWG® HAWG BONE™ URETHANE SECONDARY ASM WITH TWIST TENSIONER	DRAWN	RND
DATE	02/07/06	CHECKED	
ENG.	JAP	DATE	02/08/06
APPROVED	JMM	DATE	02/08/06
SCALE	1/4		

NO.	DESCRIPTION	ECN	DATE	BY
	REVISION			