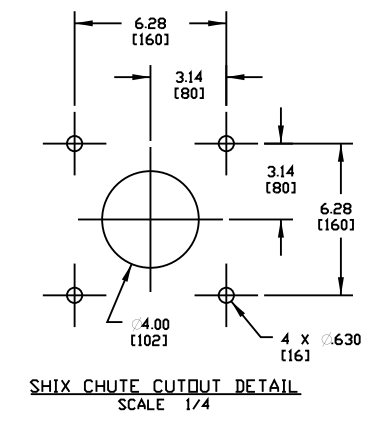
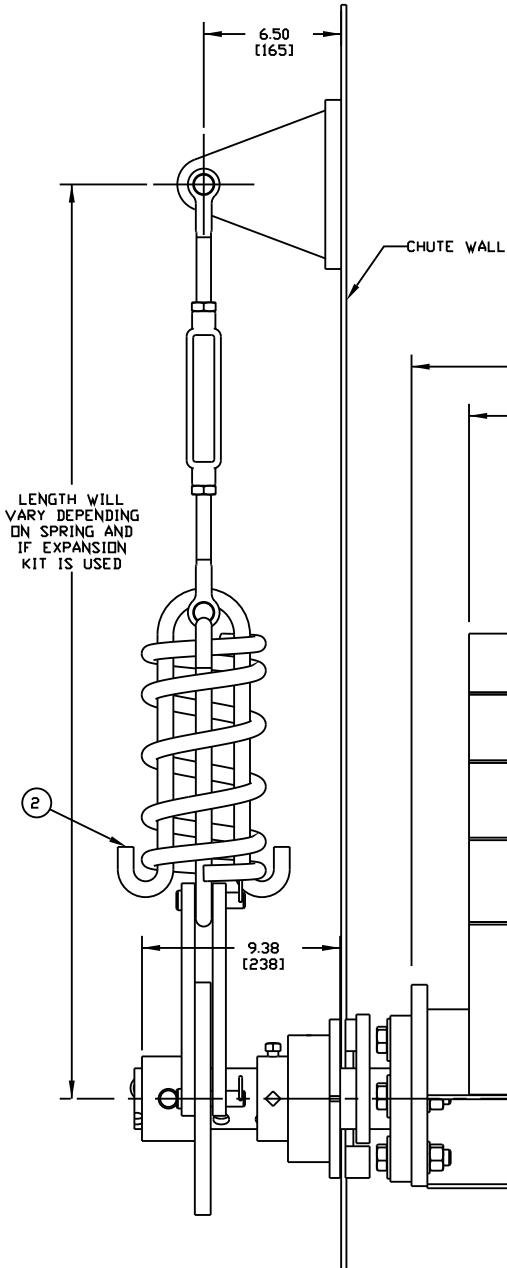
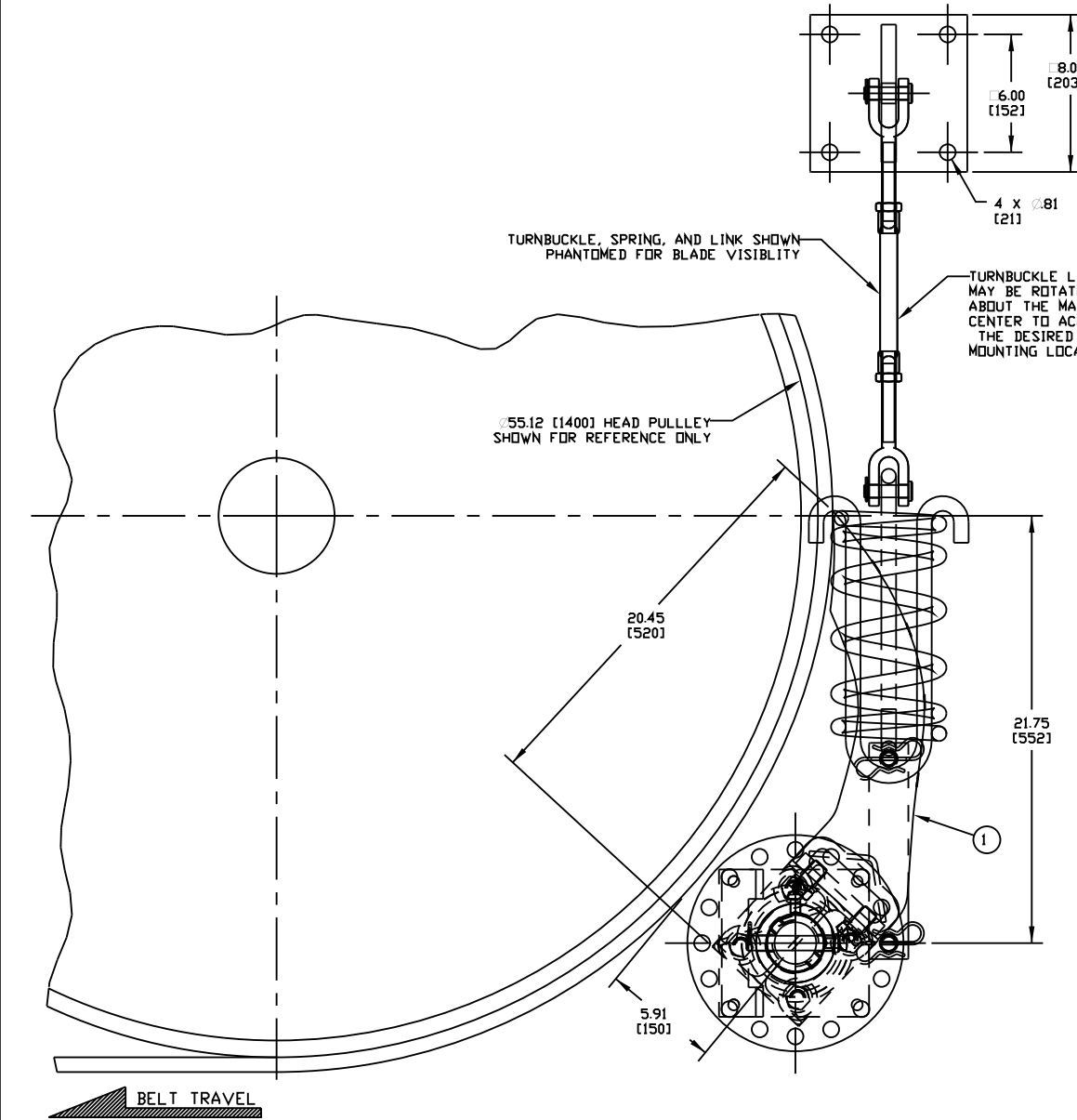
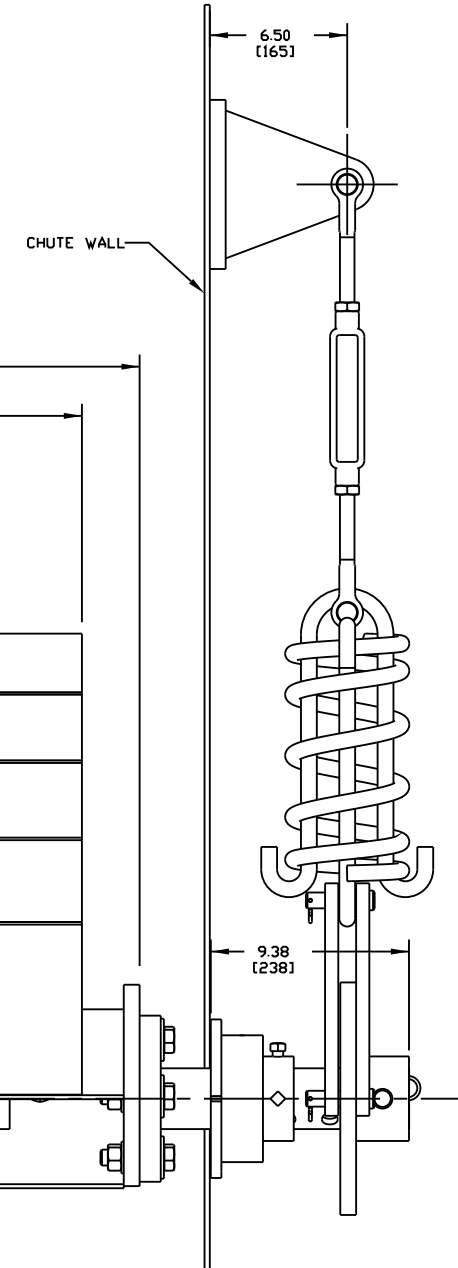


ITEM	QTY.	DESCRIPTION	PART NUMBER
1	1	SHIX PRIMARY CLEANER ASM	SHIX-XXXXXXXXXX
2	1	DUAL SPRING LINK TENSIONER ASM	35978-DXXMX

ASSEMBLY PART NUMBER	DIM "A" BLADE LENGTH	DIM "B" MNFRM LENGTH
SHIX-42X39XXXXX	39.38 [1000]	44.81 [1138]
SHIX-48X43XXXXX	43.31 [1100]	48.75 [1238]
SHIX-54X51XXXXX	51.19 [1300]	56.63 [1438]
SHIX-60X59XXXXX	59.06 [1500]	64.50 [1638]
SHIX-72X71XXXXX	70.88 [1800]	76.31 [1938]
SHIX-84X79XXXXX	78.75 [2000]	84.19 [2138]
SHIX-96X83XXXXX	82.69 [2100]	88.13 [2239]
SHIX-A8X71XXXXX	70.88 [1800]	103.88 [2639]
SHIX-A8X98XXXXX	98.44 [2500]	103.88 [2639]
SHIX-C0XA2XXXXX	102.38 [2600]	107.81 [2738]



DIM "B" SHIX MNFRM WIDTH	DIM "A" SHIX BLADE WIDTH
25	25
50	50
75	75
100	100



SHIX-54151XXXXX SHOWN (SHD-1200)

NOTES:
 1) ALL DIMENSIONS ARE GIVEN IN INCHES (MM).
 2) ALL DIMENSIONS ARE FOR REFERENCE ONLY.
 3) IN THE SHIX PART NUMBER THE SHIX INDICATES AN EXTRA HEAVY DUTY PRIMARY CLEANER. THE NEXT TWO XX'S INDICATE THE BELT WIDTH. THE NEXT X INDICATES THE BLADE TYPE.
 U = URETHANE
 C = URETHANE W/CERAMIC BEADS
 THE NEXT TWO XX'S INDICATE THE BLADE WIDTH. THE NEXT X INDICATES THE BLADE PROFILE.
 1 = SHD-1200
 6 = SHD-600
 THE NEXT X INDICATES THE URETHANE TYPE.
 B = BROWN
 G = GREEN
 O = ORANGE
 Y = CERAMIC/YELLOW
 THE NEXT X INDICATES THE MAINFRAME OPTIONS.
 P = PAINTED ORANGE MAINFRAME
 C = CORROSION RESISTANT MAINFRAME
 THE NEXT X INDICATES THE END WELDMENT LENGTHS (INCHES).
 2 = 20
 3 = 30
 4 = 40
 THE NEXT X INDICATES THE TENSIONER AND ACCESSORY OPTIONS.
 L = WITH PAINTED LINK TENSIONER
 C = WITH CORROSION RESISTANT LINK TENSIONER

NOTES:
 4) WHERE EXTREME OR UNUSUAL CONDITIONS EXIST, OR SPECIAL MAINFRAME LENGTHS ARE REQUIRED, CONTACT MARTIN.
 5) THE SHIX PRECLEANER BLADES ARE DESIGNED TO REMOVE HEAVY CARRYBACK ONLY. DO NOT OVERTENSION.
 6) BLADE COVERAGE WILL BE LESS THAN BELT WIDTH DUE TO POSSIBLE MISTRACKING OR DAMAGED EDGES OF BELT.
 7) REQUIRED EFFECTIVE HEAD PULLEY DIAMETERS (HEAD PULLEY + LAGGING + BELT THICKNESS) ARE 47.24 [1200] MINIMUM THRU 70.87 [1800] MAXIMUM FOR THE SHIX-1200.
 8) FRAME LENGTH IS SUPPLIED LONGER THAN REQUIRED, CUT IN FIELD TO DESIRED LENGTH.
 9) TENSIONER ASSEMBLY MAY BE BOLTED OR WELDED IN PLACE. MARTIN ENGINEERING RECOMMENDS BOLTING WHEN APPLICABLE FOR EASIER MAINTENANCE AND ACCESSIBILITY.
 10) REFER TO OPERATOR'S MANUAL'S FOR INSTALLATION AND TENSIONING INSTRUCTIONS.
 11) CLEANER IS SHOWN IN RECOMMENDED POSITION.

Copyright 2014 Martin Engineering. All rights reserved. Covered by US and foreign patents pending and issued. ® and TM indicate trademarks of Martin Engineering.

MARTIN ENGINEERING-USA
 NEPONSET, IL USA

TITLE	SHIX PRIMARY CLEANER (SHD-1200) W/SPR LINK TENSIONER	DRAWN	RND
DATE	08/02/06	CHECKED	
ENG.	MJB	DATE	08/02/06
APPROVED	JMM	DATE	08/03/06
SCALE	7/32		

A	CSHT 1) REV OPTION "E" & "F" (TENSIONERS W/EXPANSION KIT) FROM TENSIONER & ACCESSORY OPTIONS NOTE	12650	06/05/09	MJB
NO.	DESCRIPTION	ECN	DATE	BY
	REVISION			

SALES DRAWING
 M00668 S50039