

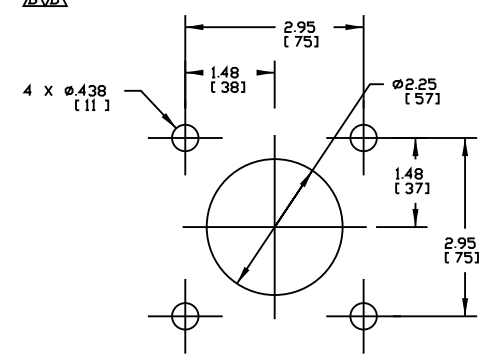
PART NO.	DIM "A" BLADE LENGTH	DIM "B" MNFRLM LENGTH
PVIS-18XX12XXXX	12.00 [305]	48.00 [1219]
PVIS-18XX16XXXX	16.00 [406]	48.00 [1219]
PVIS-24XX18XXXX	18.00 [457]	54.00 [1372]
PVIS-24XX22XXXX	22.00 [559]	54.00 [1372]
PVIS-30XX24XXXX	24.00 [610]	60.00 [1524]
PVIS-30XX28XXXX	28.00 [711]	60.00 [1524]
PVIS-36XX30XXXX	30.00 [762]	66.00 [1676]
PVIS-36XX34XXXX	34.00 [864]	66.00 [1676]
PVIS-42XX36XXXX	36.00 [914]	72.00 [1829]
PVIS-42XX40XXXX	40.00 [1016]	72.00 [1829]
PVIS-48XX42XXXX	42.00 [1067]	78.00 [1981]
PVIS-48XX46XXXX	46.00 [1168]	78.00 [1981]
PVIS-54XX48XXXX	48.00 [1219]	84.00 [2134]
PVIS-54XX52XXXX	52.00 [1321]	84.00 [2134]

ASSEMBLY PART NO.	BLADE COLOR
PVIS-XXXXXXBRXX	BROWN
PVIS-XXXXXXCLXX	TAN
PVIS-XXXXXXGRXX	GREEN
PVIS-XXXXXXNBXX	NAVY BLUE
PVIS-XXXXXXDRXX	ORANGE

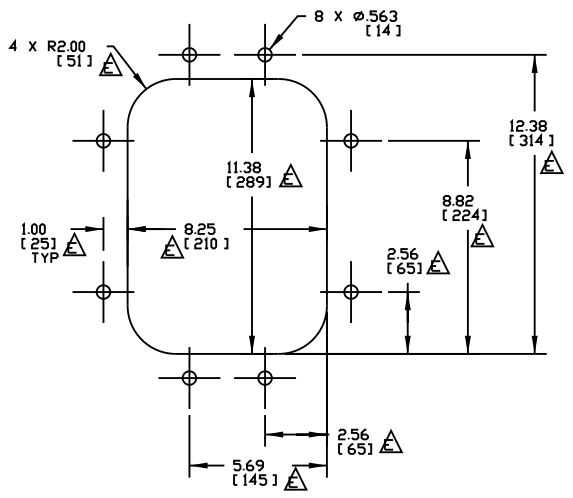
ITEM	QTY.	DESCRIPTION	PART NUMBER
1	1	MARTIN® PIT VIPER PRE-CLEANER ASM	PVIS-XXXXXXXXXX
2	1	MARTIN® SPRING CABLE TENS ASM	37944
3	1	MARTIN® LOW PROFILE STL DOOR 9X12	CYA-0912

NOTES:

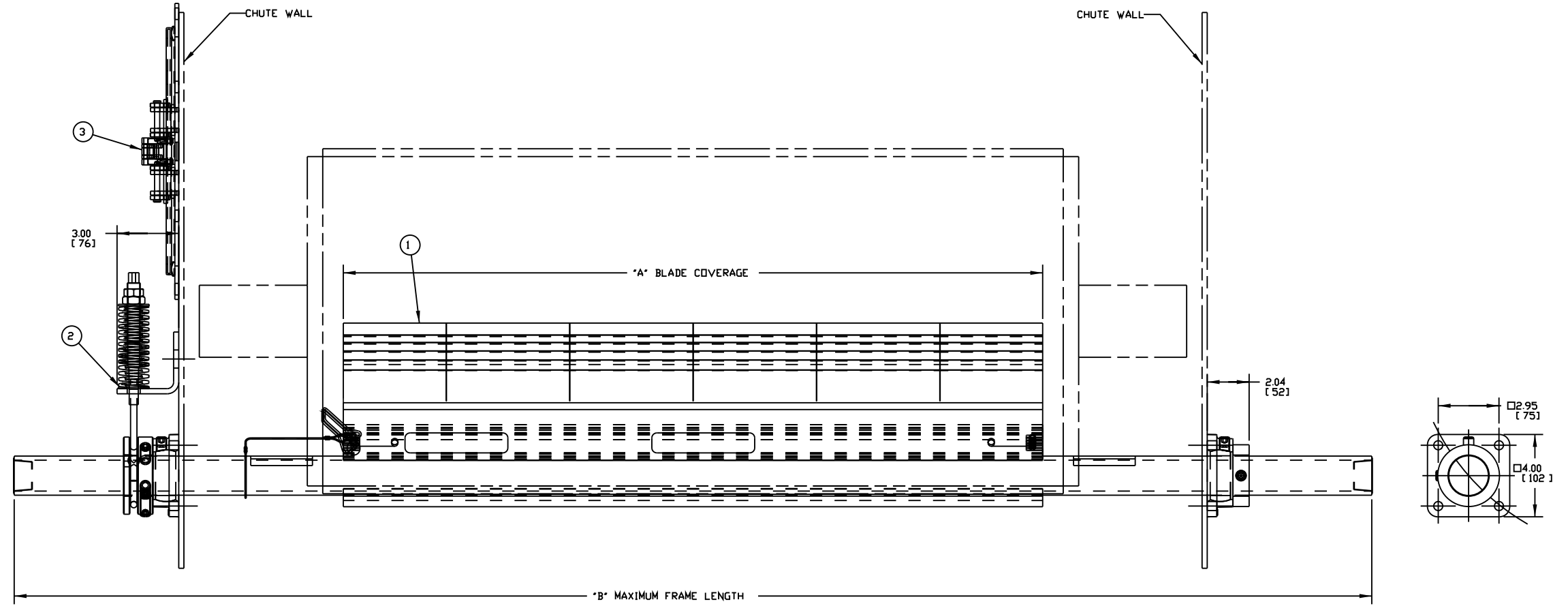
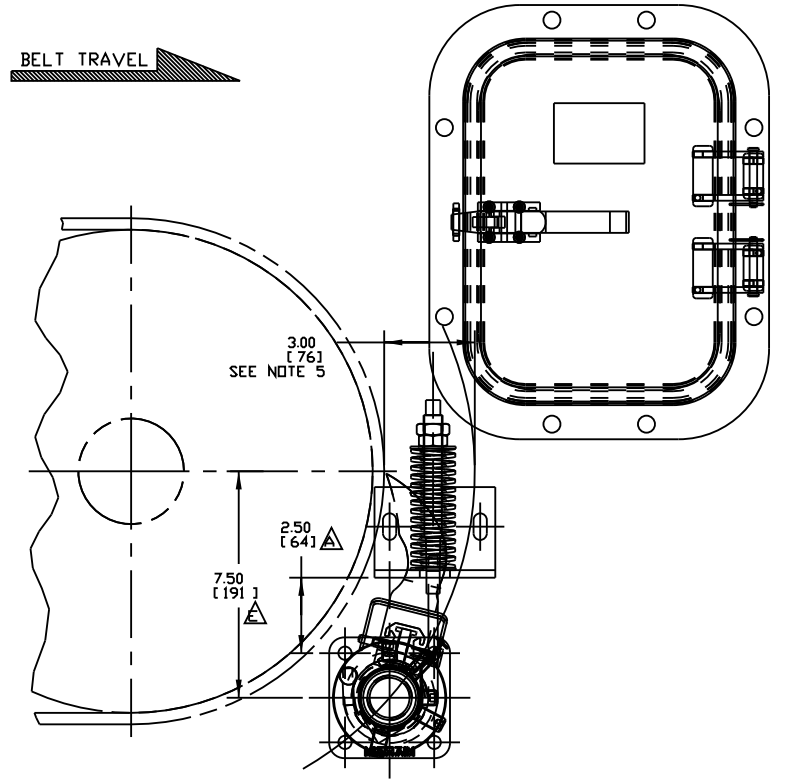
- ALL DIMENSIONS ARE GIVEN IN INCHES [MM] AND ARE FOR REFERENCE ONLY.
- WHERE EXTREME OR UNUSUAL CONDITIONS EXIST, OR SPECIAL MAINFRAME LENGTHS ARE REQUIRED, CONTACT MARTIN.
- THE PVIS PRECLEANER BLADES ARE DESIGNED TO REMOVE HEAVY CARRYBACK ONLY. DO NOT OVERTENSION.
- BLADE COVERAGE WILL BE LESS THAN BELT WIDTH DUE TO POSSIBLE MISTRACKING OR DAMAGED EDGES OF BELT.
- CLEANER CAN BE LOCATED ANYWHERE ALONG THE 3.00 [76] ARC AS LONG AS THE BLADE TIP IS BELOW THE HORIZONTAL CENTERLINE. THE CLEANER IS SHOWN IN THE RECOMMENDED POSITION.
- TENSIONER ASSEMBLY MAY BE BOLTED OR WELDED IN PLACE. MARTIN ENGINEERING RECOMMENDS BOLTING WHEN APPLICABLE FOR EASIER MAINTENANCE AND ACCESSIBILITY.
- REFER TO OPERATOR'S MANUAL'S M3734 & M3735, FOR INSTALLATION AND TENSIONING INSTRUCTIONS.
- IN THE P/N:
 - THE PVIS INDICATES A STANDARD DUTY PRE-CLEANER. THE FIRST TWO XX'S INDICATE BELT WIDTH. THE NEXT TWO XX'S INDICATE THE BLADE TYPE:
 - 11 = SOLID BLADE
 - 10 = SEGMENTED BLADE
 - THE NEXT TWO XX'S INDICATE THE BLADE COVERAGE:
 - 00 = NO BLADE.
 - NEXT TWO XX'S INDICATE THE BLADE URETHANE TYPE:
 - 00 = NO BLADE
 - BR = BROWN BLADE
 - CL = TAN BLADE
 - GR = GREEN BLADE
 - NB = NAVY BLUE BLADE
 - DR = ORANGE BLADE
 - THE NEXT X INDICATES THE MAINFRAME TYPE:
 - 0 = NO MAINFRAME.
 - P = STANDARD PAINTED MAINFRAME.
 - THE LAST X INDICATES THE ACCESSORY OPTIONS:
 - 0 = NO OPTIONS.
 - C = WITH SPRING CABLE TENSIONER.



TENSIONER CHUTEWALL CUTOUT DETAIL
(TYPICAL BOTH SIDES)
SCALE 5/8



DOOR CUTOUT DETAIL
SCALE 1/4



PVIS-36XX34XXXX SHOWN

Copyright 2010 Martin Engineering. All rights reserved. Covered by U.S. and Foreign patents pending and issued. R and TM indicate trademarks of Martin Engineering.

NO.	DESCRIPTION	ECN	DATE	BY
E	CHGD P/N FROM 34925-0912 TO CYA-0912 IN BEM/CHGD DIM FROM 7.00 TO 7.50, 4 X R18 TO 4 X R20, .75 TO 1.00, 2.01 TO 2.56, 5.94 TO 5.69, 8.75 TO 8.25, 11.88 TO 11.38, 2.82 TO 2.56, 9.07 TO 8.82 & 12.63 TO 12.38	12568	02/12/09	MJB
D	ADDED -48 & -54 SIZES TO CHART	----	03/04/08	JMP
C	ADDED P/N PVIS-XXXXXXBRXX & PVIS-XXXXXXGRXX TO THE CHART/ADDED BROWN AND GREEN BLADES TO NOTE (PRI0854)	----	08/24/07	MJB
B	ADDED OPTION TO SEGMENT BLADE / UPDATED NOTES / CHGD P/N'S FROM PVIS-XX1XXXXXX TO PVIS-XXXXXXXXXX (PRI0672)	----	02/07/07	RND
A	CHGD DIM FROM 3.50 TO 2.50	11800	11/22/06	MJB

MARTIN ENGINEERING NEPONSET ILLINOIS USA

TITLE: MARTIN® PIT VIPER SPRING CABLE TENSIONER 9X12 STEEL ACCESS DOOR

SALES DRAWING

REVISED

DATE: 08/17/06
CHECKED: JLD
DATE: 08/31/06
APPROVED: JMM
DATE: 08/31/06
SCALE: 5/16

PR10440 S50040