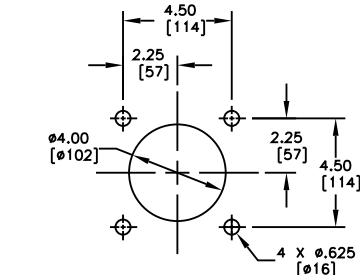
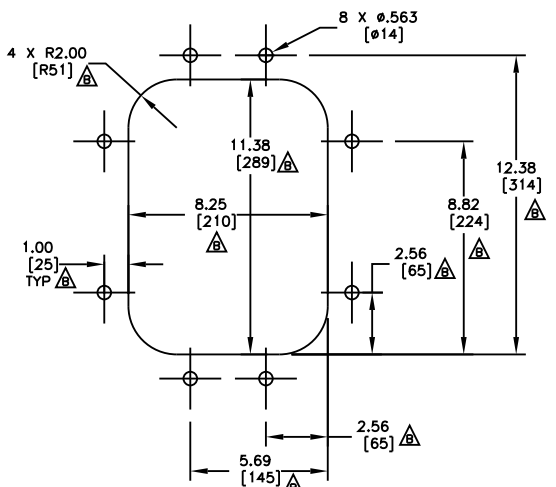
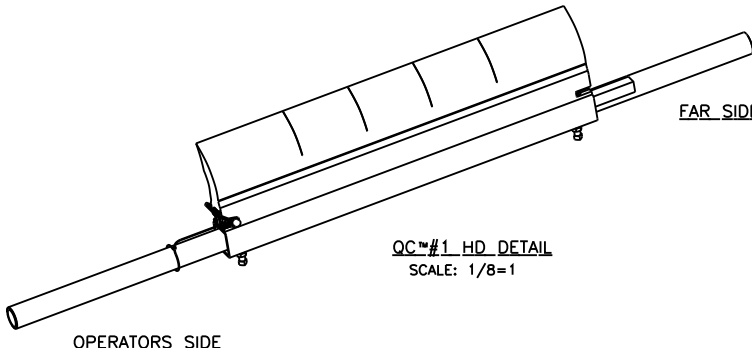
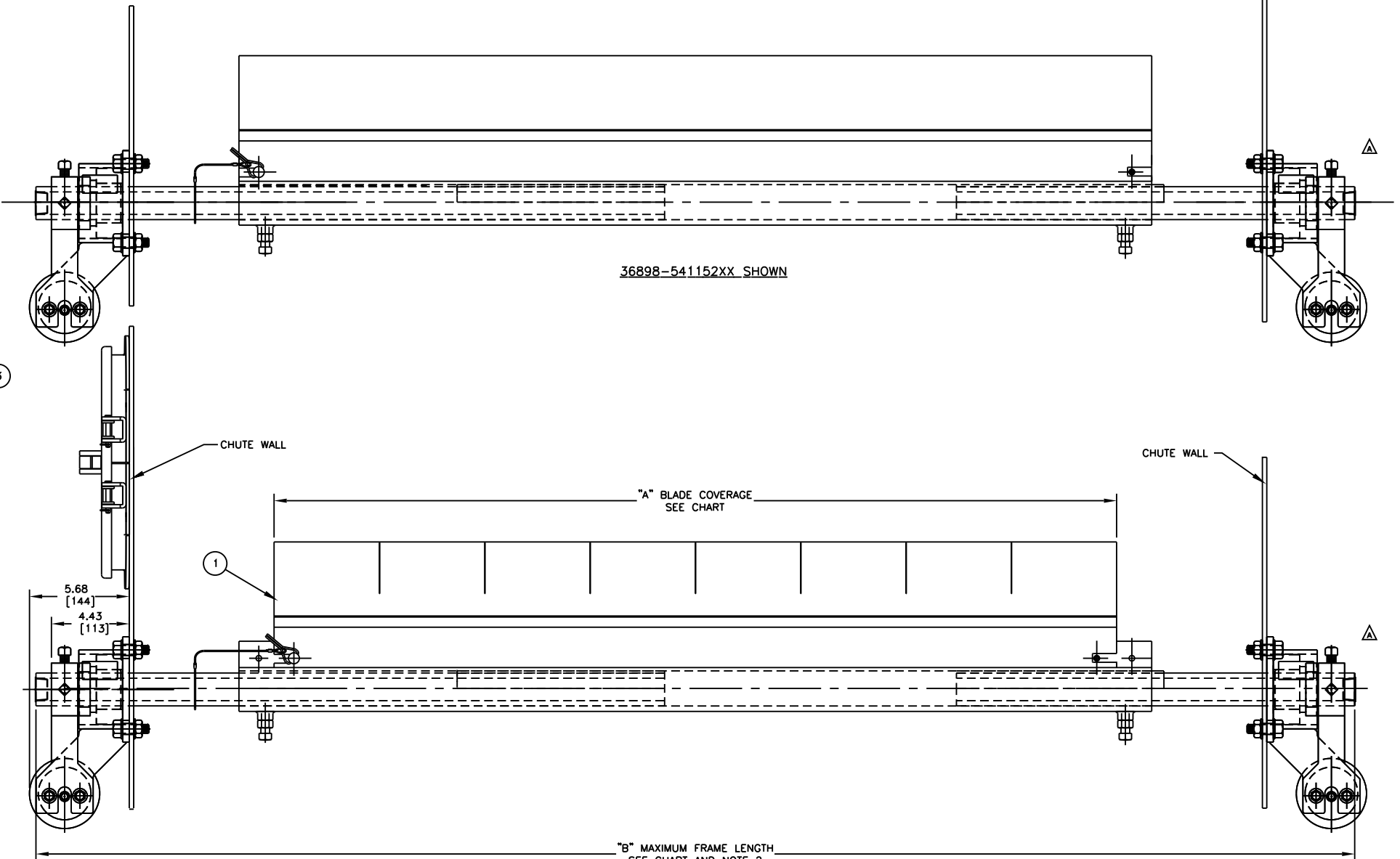
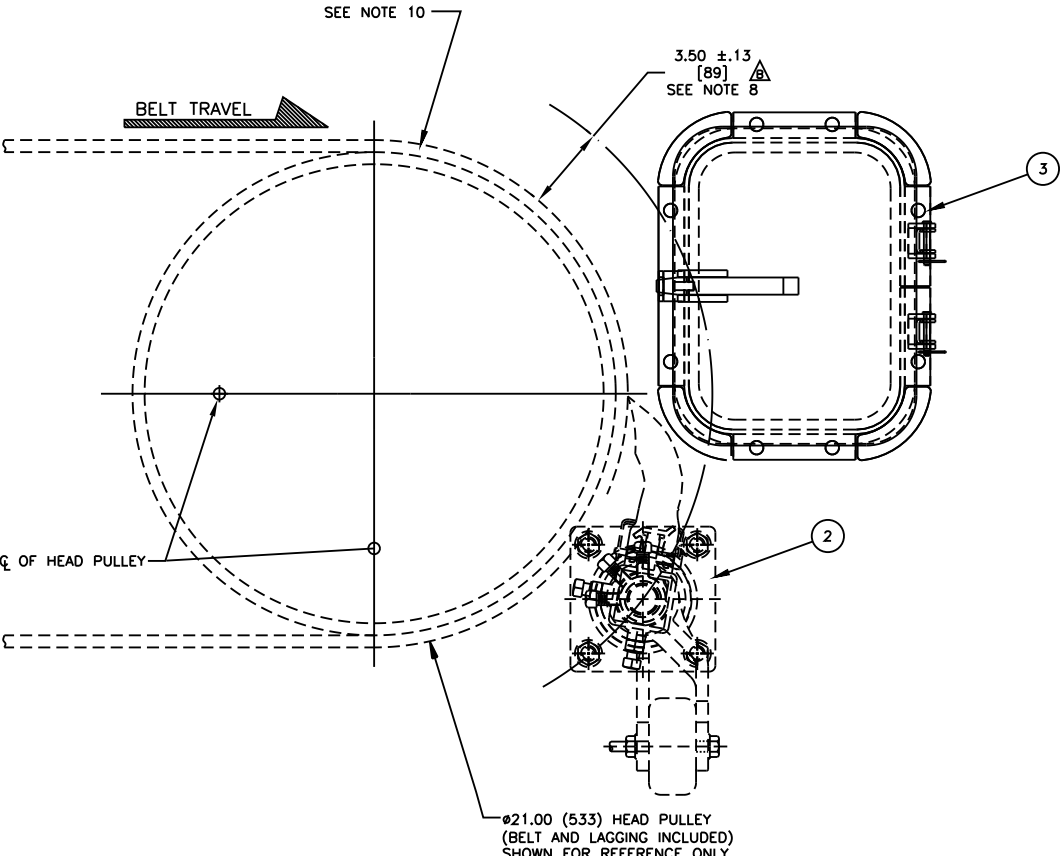


PART NUMBER	BELT WIDTH	DIMENSION "A" BLADE COVERAGE	DIMENSION "B" FRAME LENGTH
36898-54XX48XX	54.00 (1400-1600)	48.00 (1219)	86.00 (2184)
36898-54XX52XX	54.00 (1400-1600)	52.00 (1321)	86.00 (2184)
36898-60XX54XX	60.00 (1600-1800)	54.00 (1372)	98.00 (2489)
36898-60XX58XX	60.00 (1600-1800)	58.00 (1473)	98.00 (2489)
36898-66XX60XX	66.00 (1600-1800)	60.00 (1524)	104.00 (2642)
36898-66XX64XX	66.00 (1600-1800)	64.00 (1626)	104.00 (2642)
36898-72XX66XX	72.00 (1800-2000)	66.00 (1676)	110.00 (2794)
36898-72XX70XX	72.00 (1800-2000)	70.00 (1778)	110.00 (2794)
36898-84XX78XX	84.00 (2000-2200)	78.00 (1981)	123.00 (3124)
36898-84XX82XX	84.00 (2000-2200)	82.00 (2083)	123.00 (3124)
36898-96XX90XX	96.00 (2200-2400)	90.00 (2286)	135.00 (3429)
36898-96XX94XX	96.00 (2200-2400)	94.00 (2388)	135.00 (3429)



- NOTES:
- 1) ALL DIMENSIONS ARE GIVEN IN INCHES (MM) AND ARE FOR REFERENCE ONLY.
  - 2) FRAME IS ADJUSTABLE TO DESIRED LENGTH.
  - 3) FIRST XX INDICATES BELT WIDTH, THIRD X INDICATES BLADE WITHOUT SLITS, FOURTH X INDICATES BLADE WITHOUT SEGMENTS. THE NEXT TWO XX'S INDICATE BLADE WIDTH. THE REMAINING X'S INDICATE BLADE COLOR.  
EX: 36898-421036 = 42" BELT WITH 36" ORANGE BLADE W/O SLITS WITH SEGMENTS.  
36898-421040GR = 42" BELT WITH 40" GREEN BLADE W/O SLITS WITH SEGMENTS.  
36898-421136BR = 42" BELT WITH 36" BROWN BLADE W/O SLITS W/O SEGMENTS.  
36898-421140 = 42" BELT WITH 40" ORANGE BLADE W/O SLITS OR SEGMENTS.
  - 4) FOR BELT WIDTHS 48.00 (1219) AND UNDER, MARTIN ENGINEERING RECOMMENDS USING A SINGLE AIR PADDLE TENSIONER ASSEMBLY (P/N 32745). SEE S50043-S.
  - 5) WHERE EXTREME OR UNUSUAL CONDITIONS EXIST, OR SPECIAL MAINFRAME LENGTHS ARE REQUIRED, CONSULT MARTIN ENGINEERING FOR ASSISTANCE.
  - 6) AIR PADDLE TENSIONER ASSEMBLY MAY BE BOLTED OR WELDED IN PLACE. MARTIN ENGINEERING RECOMMENDS BOLTING WHEN APPLICABLE FOR EASIER MAINTENANCE AND ACCESSIBILITY.
  - 7) REFER TO OPERATOR'S MANUALS (M3263 AND M3618) FOR INSTALLATION INSTRUCTIONS.
  - 8) MARTIN ENGINEERING RECOMMENDS THE CLEANER BE LOCATED SO THAT THE BLADE TIP IS AT OR SLIGHTLY BELOW HORIZONTAL CENTERLINE OF HEAD PULLEY. CLEANER IS SHOWN BELOW IN RECOMMENDED WORKING POSITION.
  - 9) THE QC#1 HD PRE-CLEANER BLADE IS DESIGNED TO REMOVE INITIAL CARRYBACK ONLY. DO NOT OVER TENSION!
  - 10) THE QC#1 HD PRE-CLEANER BLADE IS DESIGNED FOR HEAD PULLEYS WITH A MINIMUM EFFECTIVE DIAMETER OF 12.00 (305).

ITEM	QTY.	DESCRIPTION	PART NUMBER
1	1	QC#1 HD BLADE MAINFRAME ASM	36898-XXXXX
2	1	SHOCKMOUNT AIR PADDLE TENSIONER	32745-2R
3	1	STEEL ACCESS DOOR ASM	CYA-0912



NO.	DESCRIPTION	ECN	DATE	BY
B	CHG P/N FROM 34955-0912 TO CYA-0912/CHG DIM FROM 7.00 TO 7.50, 4 X R1.81 TO 4 X R2.00, .75 TO 1.00, 2.81 TO 2.56, 5.94 TO 5.69, 8.75 TO 8.25, 11.88 TO 11.38, 2.82 TO 2.56, 9.01 TO 8.82 & 12.63 TO 12.38/RMV MOUNTING LOCATION CHART/CHG DIM FROM 4.00 TO 3.50 (12 THRU 15)	12821	03/18/10	MJB
A	UPDATED TENSIONER PICTORIAL TO DUAL TENSIONER	----	02/19/08	RND

© Copyright 2006 Martin Engineering. All rights reserved. Covered by U.S. and foreign patents pending and issued. ® and TM indicate trademarks of Martin Engineering.

**MARTIN ENGINEERING**  
NEPONSET ILLINOIS USA

TITLE	QC#1 HD ASM WITH SHOCKMOUNT AIR PADDLE TENSIONER ASM AND 9 X 12 STL ACCESS DOOR	DRAWN	JAP
NO.	SALES DRAWING	DATE	10/16/06
DESCRIPTION	REVISION	CHECKED	3/25
AutoCAD	MD0678	APPROVED	3/21
		DATE	10/16/06
		SCALE	1/4=1