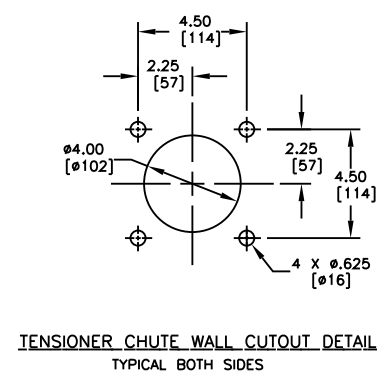
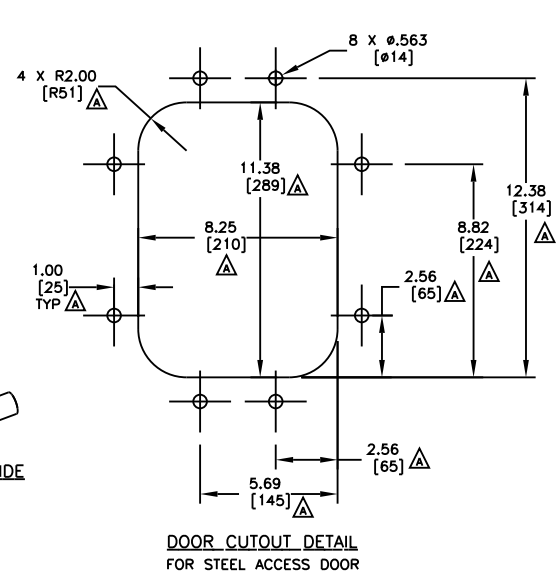
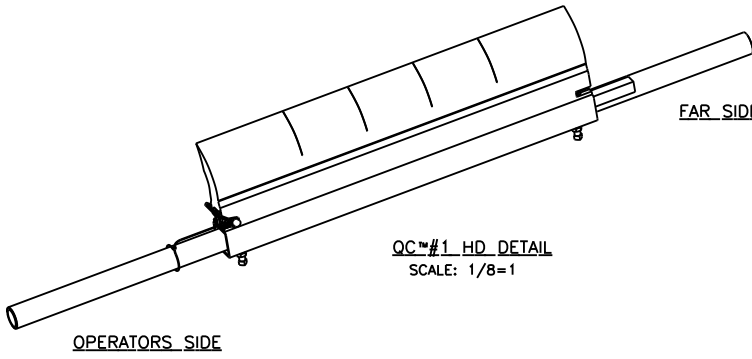
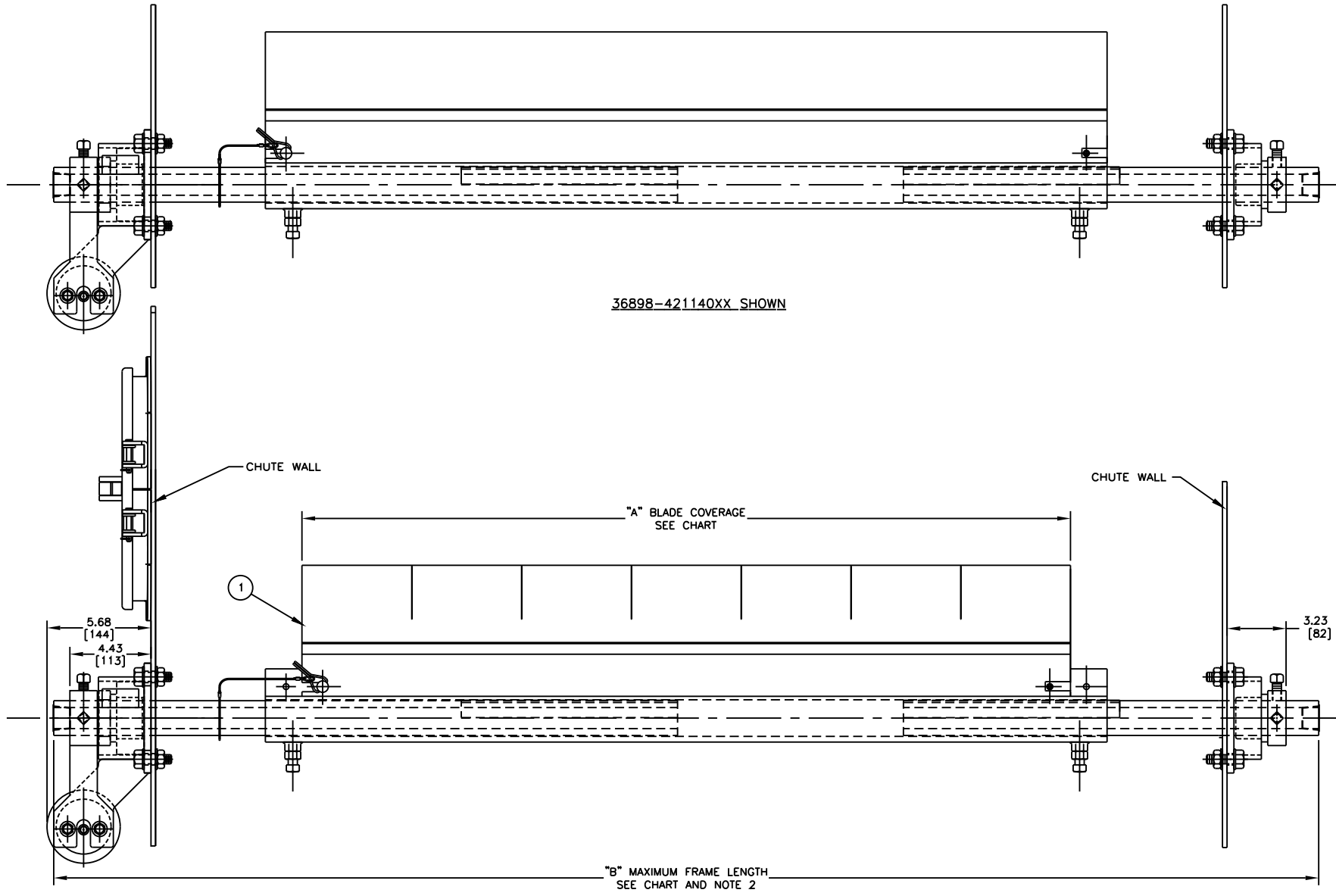
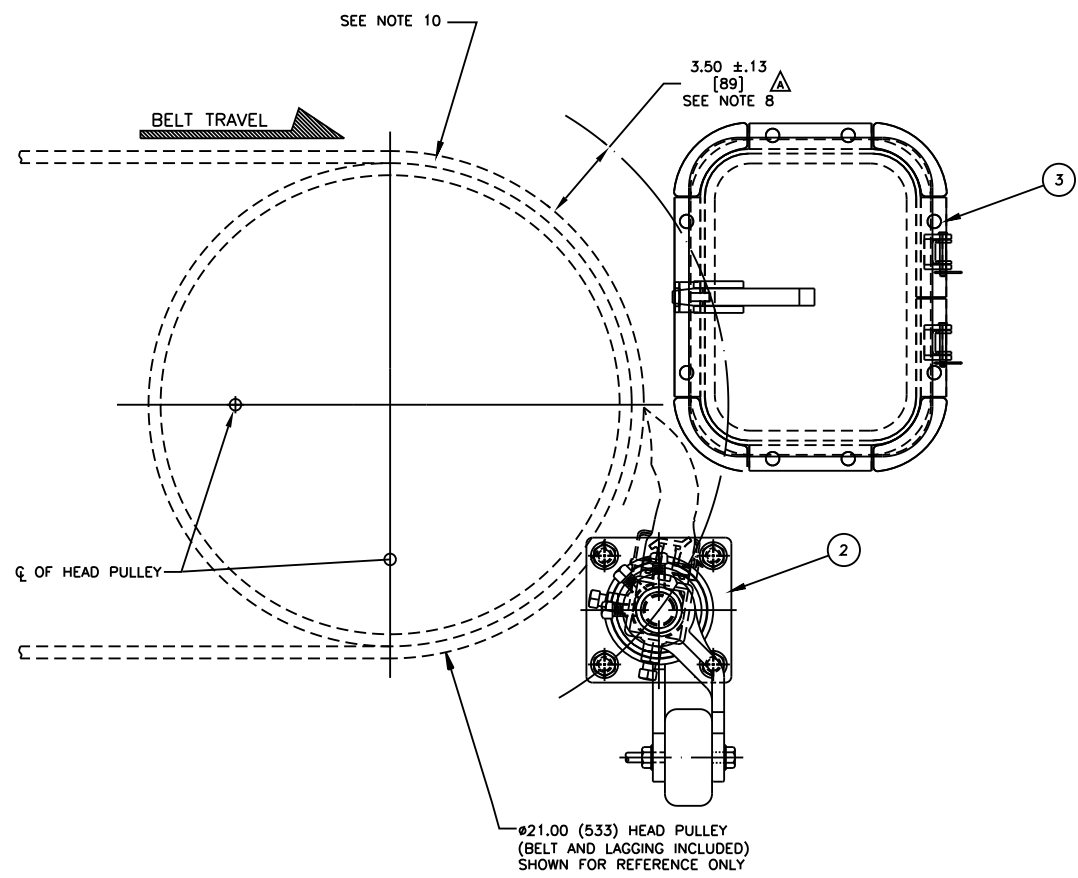
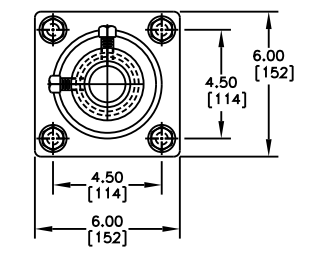


PART NUMBER	BELT WIDTH	DIMENSION "A" BLADE COVERAGE	DIMENSION "B" FRAME LENGTH
36898-18XX12XX	18.00 (400-500)	12.00 (305)	44.00 (1119)
36898-18XX16XX	18.00 (400-500)	16.00 (406)	44.00 (1119)
36898-24XX18XX	24.00 (500-650)	18.00 (457)	50.00 (1270)
36898-24XX22XX	24.00 (500-650)	22.00 (559)	50.00 (1270)
36898-30XX24XX	30.00 (650-800)	24.00 (610)	62.00 (1575)
36898-30XX28XX	30.00 (650-800)	28.00 (711)	62.00 (1575)
36898-36XX30XX	36.00 (800-1000)	30.00 (762)	68.00 (1727)
36898-36XX34XX	36.00 (800-1000)	34.00 (864)	68.00 (1727)
36898-42XX36XX	42.00 (1000-1200)	36.00 (914)	74.00 (1880)
36898-42XX40XX	42.00 (1000-1200)	40.00 (1016)	74.00 (1880)
36898-48XX42XX	48.00 (1200-1400)	42.00 (1067)	80.00 (2032)
36898-48XX46XX	48.00 (1200-1400)	46.00 (1168)	80.00 (2032)

ITEM	QTY.	DESCRIPTION	PART NUMBER
1	1	QC#1 HD BLADE MAINFRAME ASM	36898-XXXXX
2	1	SHOCKMOUNT AIR PADDLE TENSIONER	32745
3	1	STEEL ACCESS DOOR ASM	CYA-0912



- NOTES:
- 1) ALL DIMENSIONS ARE GIVEN IN INCHES (MM) AND ARE FOR REFERENCE ONLY.
  - 2) FRAME IS ADJUSTABLE TO DESIRED LENGTH.
  - 3) FIRST XX INDICATES BELT WIDTH, THIRD X INDICATES BLADE WITHOUT SLITS, FOURTH X INDICATES BLADE WITHOUT SEGMENTS. THE NEXT TWO XX'S INDICATE BLADE WIDTH. THE REMAINING X'S INDICATE BLADE COLOR.  
EX: 36898-421036 = 42" BELT WITH 36" ORANGE BLADE W/O SLITS WITH SEGMENTS.  
36898-421040GR = 42" BELT WITH 40" GREEN BLADE W/O SLITS WITH SEGMENTS.  
36898-421136BR = 42" BELT WITH 36" BROWN BLADE W/O SLITS W/O SEGMENTS.  
36898-421140 = 42" BELT WITH 40" ORANGE BLADE W/O SLITS OR SEGMENTS.
  - 4) FOR BELT WIDTHS 54.00 (1372) AND OVER, MARTIN ENGINEERING RECOMMENDS USING A DUAL AIR PADDLE TENSIONER ASSEMBLY (P/N 32745-2R). SEE S50043-D.
  - 5) WHERE EXTREME OR UNUSUAL CONDITIONS EXIST, OR SPECIAL MAINFRAME LENGTHS ARE REQUIRED, CONSULT MARTIN ENGINEERING FOR ASSISTANCE.
  - 6) AIR PADDLE TENSIONER ASSEMBLY MAY BE BOLTED OR WELDED IN PLACE. MARTIN ENGINEERING RECOMMENDS BOLTING WHEN APPLICABLE FOR EASIER MAINTENANCE AND ACCESSIBILITY.
  - 7) REFER TO OPERATOR'S MANUALS (M3263 AND M3618) FOR INSTALLATION INSTRUCTIONS.
  - 8) MARTIN ENGINEERING RECOMMENDS THE CLEANER BE LOCATED SO THAT THE BLADE TIP IS AT OR SLIGHTLY BELOW HORIZONTAL CENTERLINE OF HEAD PULLEY. CLEANER IS SHOWN BELOW IN RECOMMENDED WORKING POSITION.
  - 9) THE QC#1 HD PRE-CLEANER BLADE IS DESIGNED TO REMOVE INITIAL CARRYBACK ONLY. DO NOT OVER TENSION!
  - 10) THE QC#1 HD PRE-CLEANER BLADE IS DESIGNED FOR HEAD PULLEYS WITH A MINIMUM EFFECTIVE DIAMETER OF 12.00 (305).



36898-421036XX SHOWN  
HEAD PULLEY NOT SHOWN FOR CLARITY

© Copyright 2006 Martin Engineering. All rights reserved. Covered by U.S. and foreign patents pending and issued. ® and TM indicate trademarks of Martin Engineering.

**MARTIN ENGINEERING**  
NEPONSET ILLINOIS USA

TITLE	DATE	BY	ECN	DATE	BY
QC#1 HD ASM WITH SHOCKMOUNT AIR PADDLE TENSIONER ASM AND 9 X 12 STL ACCESS DOOR	10/16/06	MJB	12821	03/18/10	MJB
SALES DRAWING					
NO. 1	DESCRIPTION	ECN	DATE	BY	
AutoCAD	REVISION				

DRAWN	JAP	DATE	CHECKED
325		10/16/06	
325		10/16/06	
325		10/16/06	

SALES DRAWING: M00678  
S50043-S  
SCALE: 1/4=1