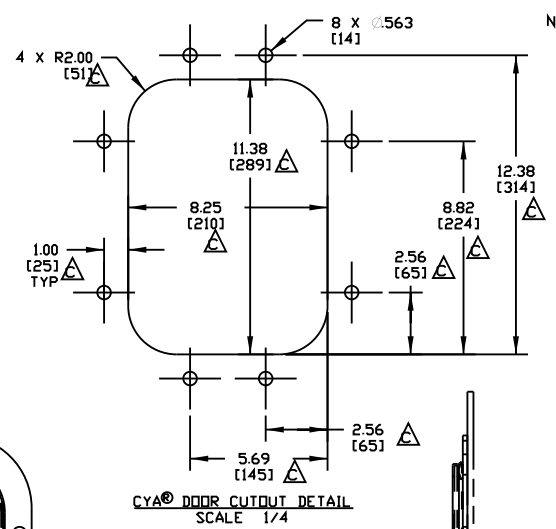


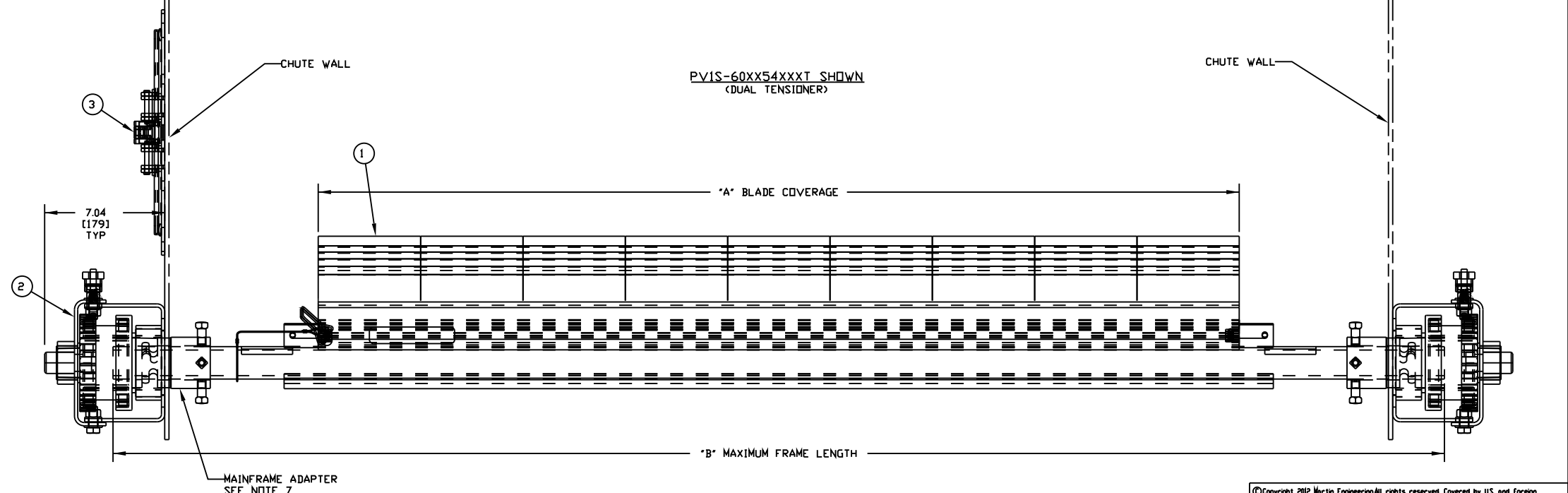
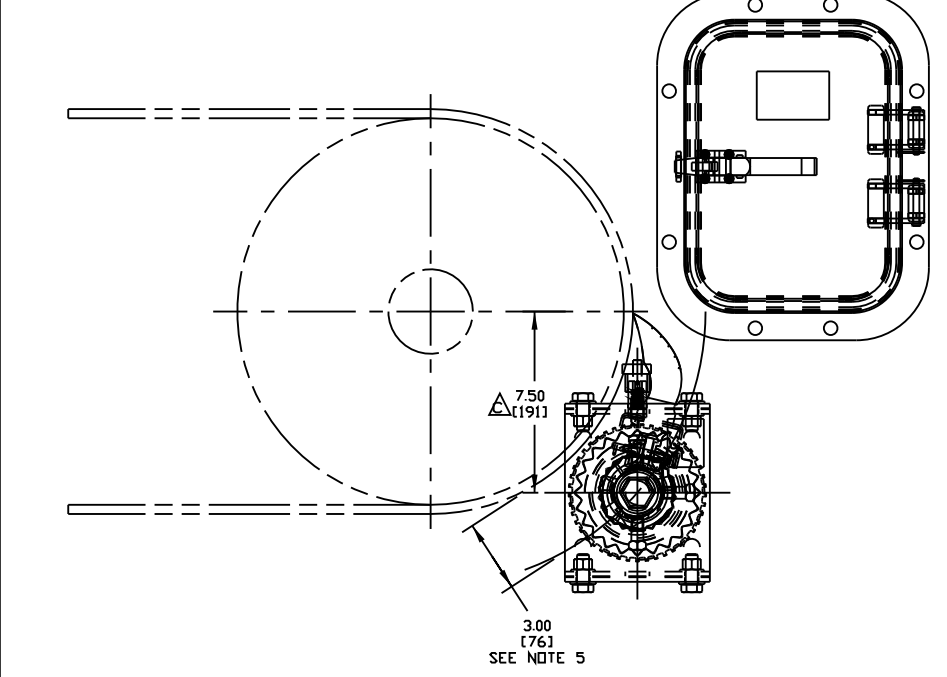
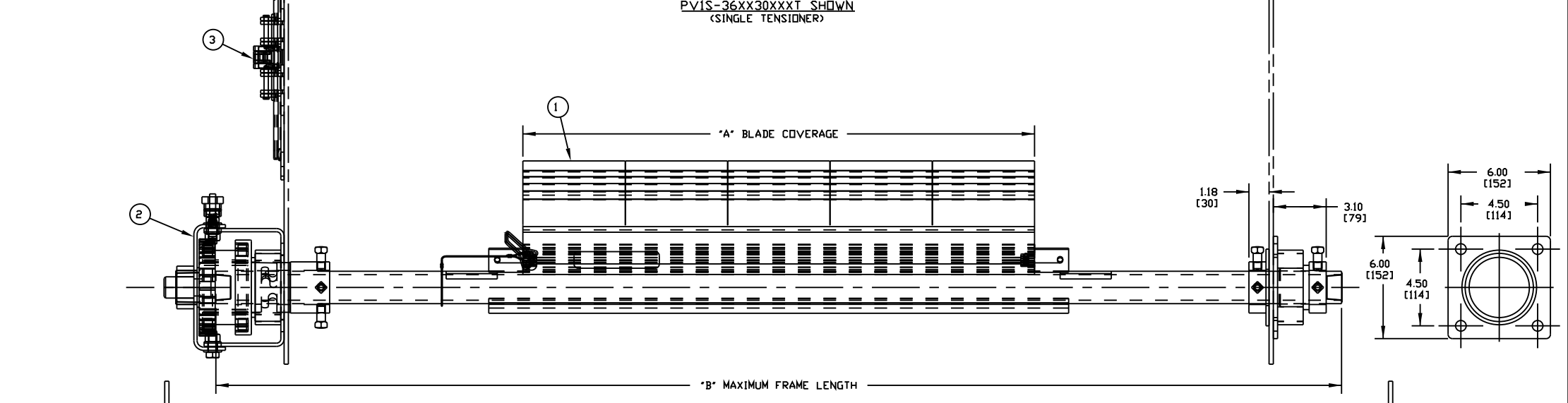
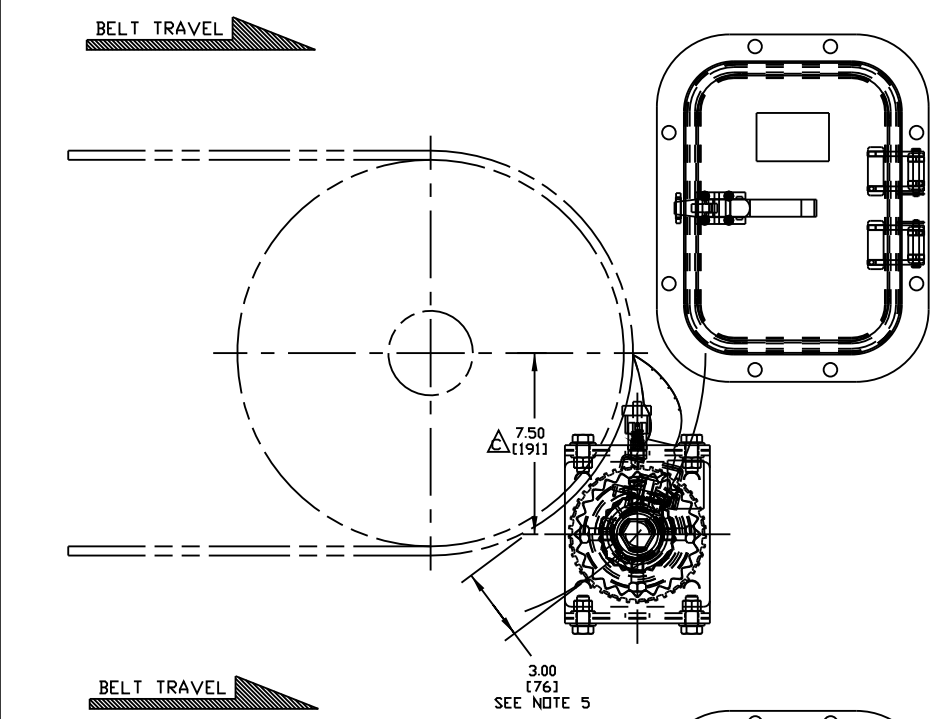
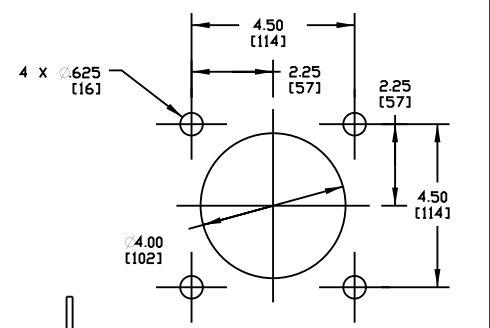
PART NO.	DIM "A" BLADE LENGTH	DIM "B" MNFRM LENGTH	P/N ITEM 2
PVIS-18XX12XXXX	12.00 [305]	48.00 [1219]	31443
PVIS-18XX16XXXX	16.00 [406]	48.00 [1219]	31443
PVIS-24XX18XXXX	18.00 [457]	54.00 [1372]	31443
PVIS-24XX22XXXX	22.00 [559]	54.00 [1372]	31443
PVIS-30XX24XXXX	24.00 [610]	60.00 [1524]	31443
PVIS-30XX28XXXX	28.00 [711]	60.00 [1524]	31443
PVIS-36XX30XXXX	30.00 [762]	66.00 [1676]	31443
PVIS-36XX34XXXX	34.00 [864]	66.00 [1676]	31443
PVIS-42XX36XXXX	36.00 [914]	72.00 [1829]	31443
PVIS-42XX40XXXX	40.00 [1016]	72.00 [1829]	31443
PVIS-48XX42XXXX	42.00 [1067]	78.00 [1981]	31443
PVIS-48XX46XXXX	46.00 [1168]	78.00 [1981]	31443
PVIS-54XX48XXXX	48.00 [1219]	84.00 [2134]	31443-2R
PVIS-54XX52XXXX	52.00 [1321]	84.00 [2134]	31443-2R
PVIS-60XX54XXXX	54.00 [1372]	90.00 [2286]	31443-2R
PVIS-60XX58XXXX	58.00 [1473]	90.00 [2286]	31443-2R
PVIS-72XX66XXXX	66.00 [1676]	102.00 [2591]	31443-2R
PVIS-72XX70XXXX	70.00 [1778]	102.00 [2591]	31443-2R



- NOTES:
- 1) ALL DIMENSIONS ARE GIVEN IN INCHES (MM) AND ARE FOR REFERENCE ONLY.
  - 2) WHERE EXTREME OR UNUSUAL CONDITIONS EXIST, OR SPECIAL MAINFRAME LENGTHS ARE REQUIRED, CONTACT MARTIN.
  - 3) THE PVIS PRECLEANER BLADES ARE DESIGNED TO REMOVE HEAVY CARRYBACK ONLY. DO NOT OVERTENSION.
  - 4) BLADE COVERAGE WILL BE LESS THAN BELT WIDTH DUE TO POSSIBLE MISTRACKING OR DAMAGED EDGES OF BELT.
  - 5) CLEANER CAN BE LOCATED ANYWHERE ALONG THE 3.00 [76] ARC AS LONG AS THE BLADE TIP IS BELOW THE HORIZONTAL CENTERLINE. THE CLEANER IS SHOWN IN THE RECOMMENDED POSITION.
  - 6) TENSIONER ASSEMBLY MAY BE BOLTED OR WELDED IN PLACE. MARTIN ENGINEERING RECOMMENDS BOLTING WHEN APPLICABLE FOR EASIER MAINTENANCE AND ACCESSIBILITY.
  - 7) IN SEVERE APPLICATIONS THE TWIST TENSIONER ADAPTER MAY REQUIRE TO BE WELDED TO THE MAINFRAME.
  - 8) REFER TO OPERATOR'S MANUAL'S FOR INSTALLATION AND TENSIONING INSTRUCTIONS.

- NOTES CONTINUED:
- 9) IN THE PVIS-XXIIXXXXX PART NUMBER:
    - THE PVIS INDICATES A STANDARD DUTY PRE-CLEANER.
    - THE FIRST TWO XX'S INDICATE BELT WIDTH.
    - THE NEXT TWO XX'S INDICATE THE BLADE TYPE.
      - 11 = SOLID BLADE
      - 10 = SEGMENTED BLADE
    - THE NEXT TWO XX'S INDICATE THE BLADE COVERAGE:
      - 00 = NO BLADE
      - 01 = NO BLADE
      - THE NEXT TWO XX'S INDICATE THE BLADE URETHANE TYPE:
        - BR = BROWN BLADE
        - CL = TAN BLADE
        - GR = GREEN BLADE
        - NB = NAVY BLUE BLADE
        - OR = ORANGE BLADE
    - THE NEXT X INDICATES THE MAINFRAME TYPE:
      - 0 = NO MAINFRAME
      - P = STANDARD PAINTED MAINFRAME
    - THE LAST X INDICATES THE ACCESSORY OPTIONS:
      - 0 = NO OPTIONS
      - C = WITH SPRING CABLE TENSIONER
      - T = WITH TENSIONER

ITEM	QTY.	DESCRIPTION	PART NUMBER
1	1	MARTIN® PV PERFORMANCE DUTY CLEANER	PVIS-XXXXXXXXXX
2	1	MARTIN® TWIST™ TENSIONER ASM	SEE CHART
3	1	MARTIN® LOW PROFILE STL DOOR 9X12	CYA-0912



©Copyright 2002 Martin Engineering. All rights reserved. Covered by U.S. and Foreign patents pending and issued. ® and TM indicate trademarks of Martin Engineering.

MARTIN ENGINEERING-USA  
NEPONSET, IL USA

NO.	DESCRIPTION	ECN	DATE	BY	SALES DRAWING
C	CHGD P/N FROM 34995-0912 TO CYA-0912 IN BOM/CHGD DIM FROM 7.00 TO 7.50, 4 X R1.81 TO 4 X R2.00, .75 TO 1.00, 2.81 TO 2.56, 5.94 TO 5.69, 8.75 TO 8.25, 11.88 TO 11.38, 2.82 TO 2.56, 9.07 TO 8.82 & 12.63 TO 12.38	12568	02/10/09	MJB	
B	ADDED BROWN AND GREEN BLADE OPTION TO NOTES (P/10054)	-----	08/24/07	MJB	
A	ADDED OPTION TO SEGMENT BLADE / UPDATED NOTES / CHGD P/N'S FROM PVIS-XXIXXXXXX TO PVIS-XXXXXXXXXX (P/10672)	-----	02/07/07	RND	

TITLE	DRAWN	RND
MARTIN® PV PERFORMANCE DUTY W/TWIST TENSIONER & 9 X 12 STEEL ACCESS DOOR	DATE	01/09/07
	CHECKED	
	ENG.	MJB
	DATE	01/10/07
	APPROVED	DM
	DATE	01/10/07
	SCALE	1/4