

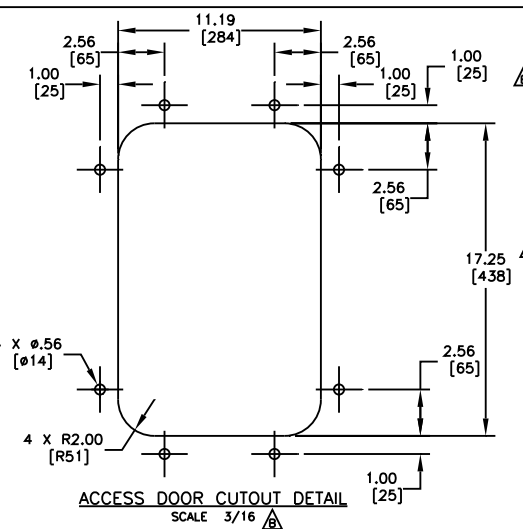
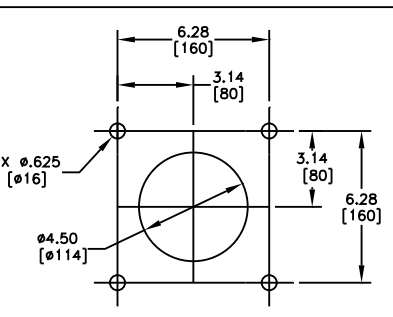
PART NO.	BELT WIDTH	DIM "A" FRAME LENGTH	DIM "B" BLADE COVERAGE	AIR PRESSURE PSI [kPa]	TENSIONER P/N
35899-18X12XX	18.00 [400-500]	66.00 [1676]	12.00 [457]	18 [124]	32135
35899-24X18XX	24.00 [500-650]	72.00 [1829]	18.00 [610]	19 [131]	32135
35899-30X24XX	30.00 [650-800]	78.00 [1981]	24.00 [762]	26 [179]	32135
35899-36X30XX	36.00 [800-1000]	84.00 [2134]	30.00 [914]	32 [221]	32135
35899-42X36XX	42.00 [1000-1200]	90.00 [2286]	36.00 [1067]	38 [262]	32135
35899-48X42XX	48.00 [1200-1400]	96.00 [2438]	42.00 [1067]	31 [214]	32135-2R
35899-54X48XX	54.00 [1400-1600]	102.00 [2591]	48.00 [1219]	31 [214]	32135-2R
35899-60X54XX	60.00 [1600-1800]	108.00 [2743]	54.00 [1372]	40 [276]	32135-2R
35899-66X60XX	66.00 [1800-2000]	114.00 [2896]	60.00 [1524]	40 [276]	32135-2R
35899-72X66XX	72.00 [1800-2000]	120.00 [3048]	66.00 [1676]	45 [310]	32135-2R

MOUNTING LOCATION CHART	
DIM "C" HEAD PULLEY DIAMETER *	DIM "D"
16 [400]	5.75 [146]
20 [500]	5.50 [140]
24 [600]	5.25 [133]
28 [700]	5.00 [127]
30-120 [750-3000]	4.75 [120]

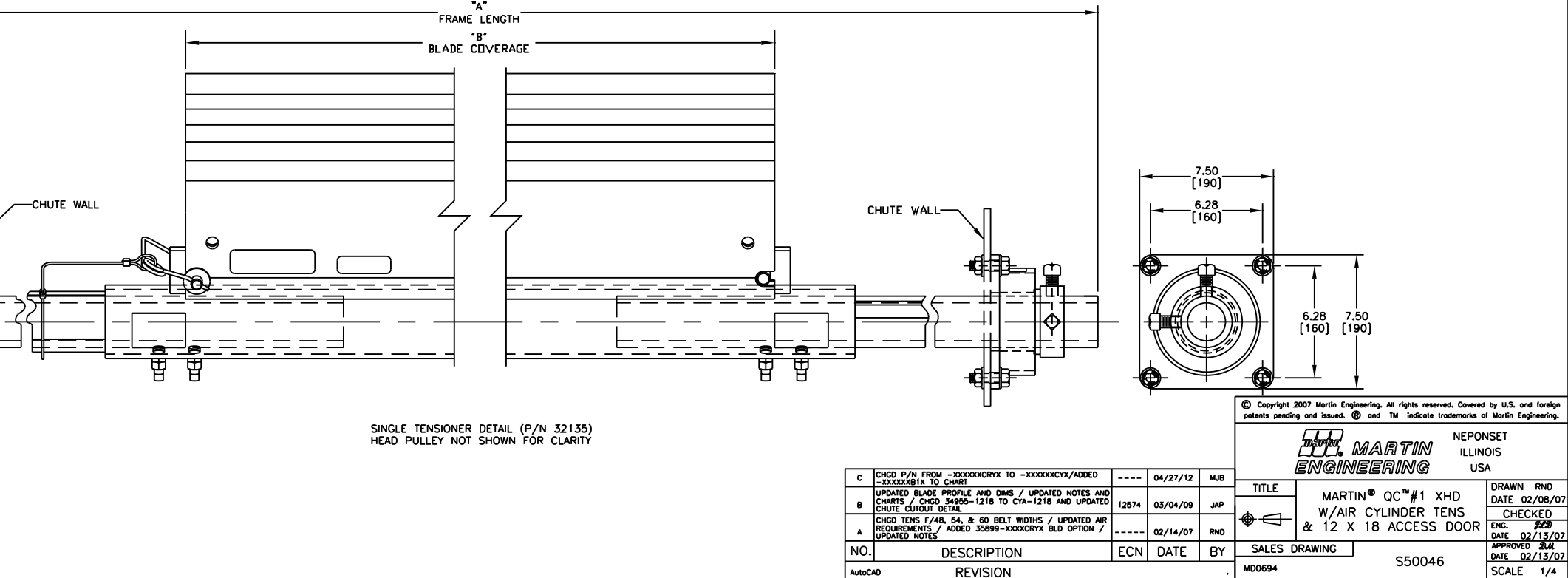
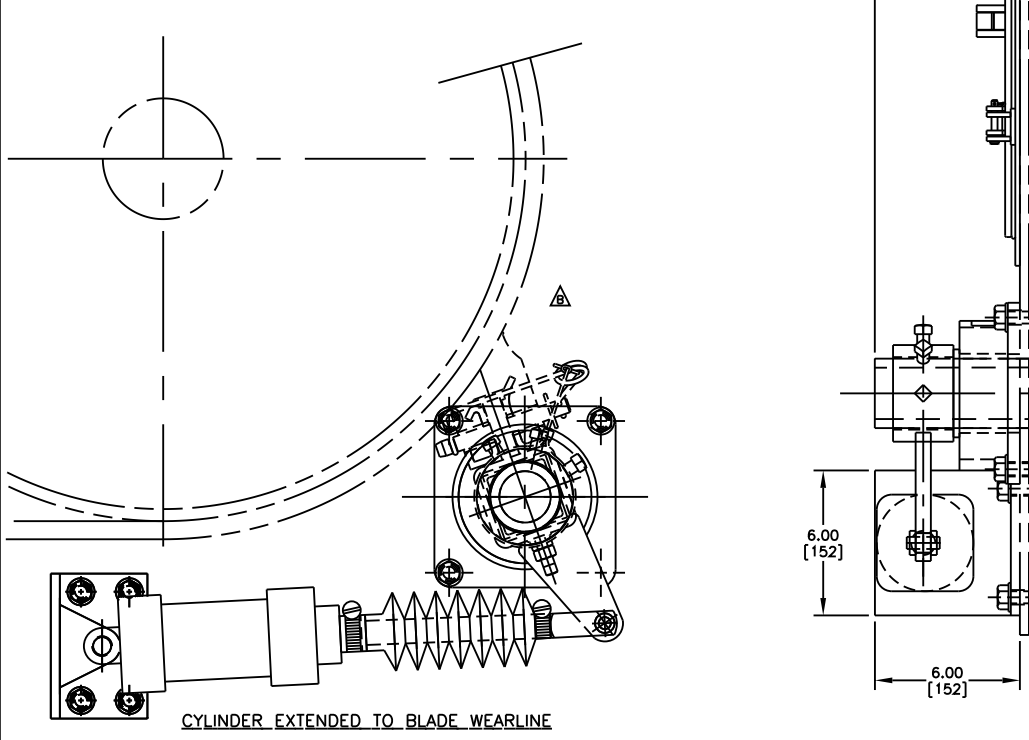
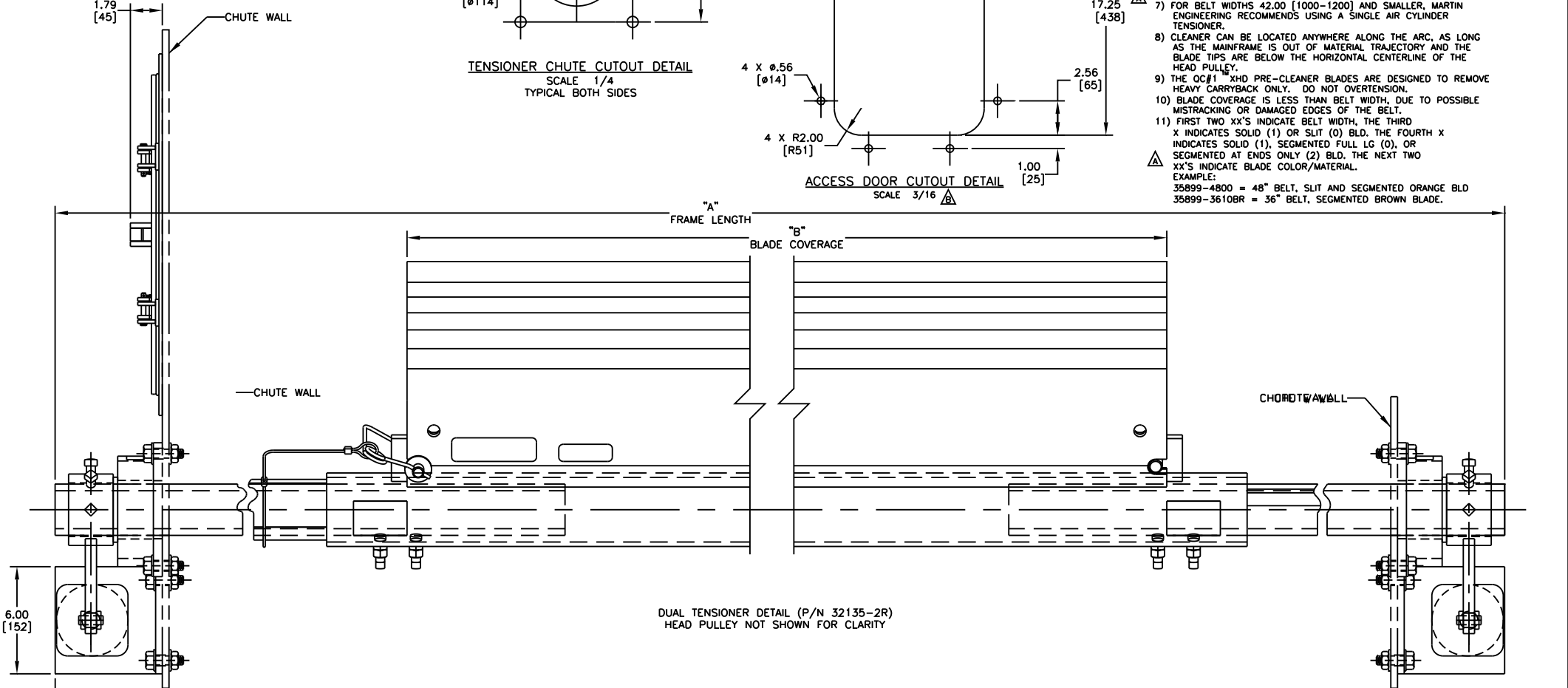
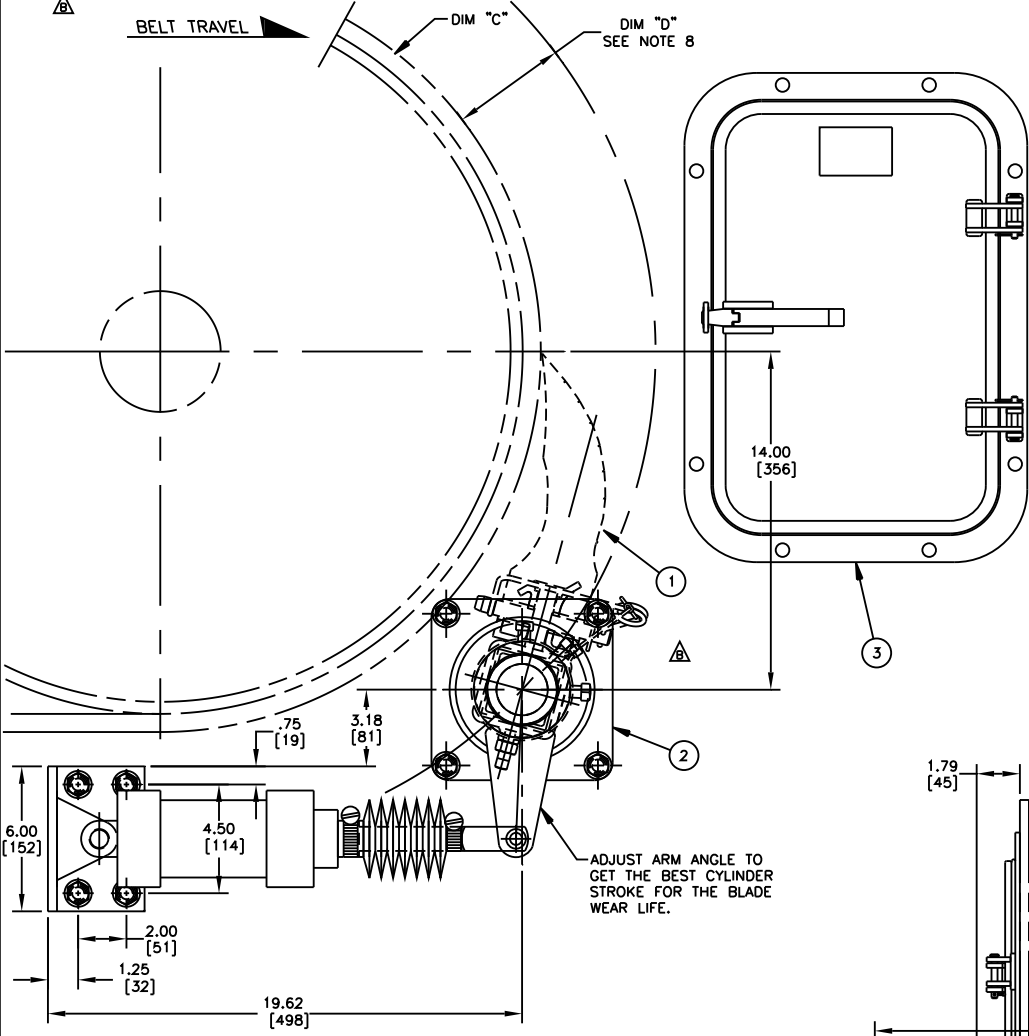
* INCLUDES BELT AND LAGGING

ASSEMBLY PART NO.	COLOR
35899-XXXXXXX	ORANGE
35899-XXXXXXBIX	BLACK
35899-XXXXXXBRX	BROWN
35899-XXXXXXCLX	CLEAR
35899-XXXXXXGRX	GREEN
35899-XXXXXXNBX	NAVY BLUE
35899-XXXXXXCYX	YELLOW W/BEADS
35899-XXXXXXYLX	YELLOW

▲ ONLY OFFERED IN SEGMENTED (10)



- | ITEM | QTY. | DESCRIPTION | PART NUMBER |
|------|------|------------------------------------|-------------|
| 1 | 1 | MARTIN® QC™ #1 XHD CLEANER ASM | SEE CHART |
| 2 | 1 | MARTIN® XHD AIR CYLINDER TENSIONER | SEE CHART |
| 3 | 1 | MARTIN® LOW PROFILE ACCESS DOOR | CYA-1218 |
- NOTES:
- 1) ALL DIMENSIONS ARE GIVEN IN INCHES [MM].
 - 2) ALL DIMENSIONS ARE FOR REFERENCE ONLY.
 - 3) FOR EASY ACCESSIBILITY AND MAINTENANCE, MARTIN ENGINEERING RECOMMENDS BOLTING CLEANER TO EXISTING STRUCTURE WHEN APPLICABLE.
 - 4) CLEANER IS SHOWN IN RECOMMENDED WORKING POSITION.
 - 5) WHERE EXTREME OR UNUSUAL CONDITIONS EXIST, OR SPECIAL MAINFRAME LENGTHS ARE REQUIRED CONTACT MARIN ENGINEERING.
 - 6) REFER TO OPERATOR'S MANUAL M3504 & M3512 FOR INSTALLATION INSTRUCTIONS.
 - 7) FOR BELT WIDTHS 42.00 [1000-1200] AND SMALLER, MARTIN ENGINEERING RECOMMENDS USING A SINGLE AIR CYLINDER TENSIONER.
 - 8) CLEANER CAN BE LOCATED ANYWHERE ALONG THE ARC, AS LONG AS THE MAINFRAME IS OUT OF MATERIAL TRAJECTORY AND THE BLADE TIPS ARE BELOW THE HORIZONTAL CENTERLINE OF THE HEAD PULLEY.
 - 9) THE QC#1 XHD PRE-CLEANER BLADES ARE DESIGNED TO REMOVE HEAVY CARRYBACK ONLY. DO NOT OVERTENSION.
 - 10) BLADE COVERAGE IS LESS THAN BELT WIDTH, DUE TO POSSIBLE MISTRACKING OR DAMAGED EDGES OF THE BELT.
 - 11) FIRST TWO XX'S INDICATE BELT WIDTH, THE THIRD X INDICATES SOLID (1) OR SLIT (0) BLD. THE FOURTH X INDICATES SOLID (1), SEGMENTED FULL LG (0), OR SEGMENTED AT ENDS ONLY (2) BLD. THE NEXT TWO XX'S INDICATE BLADE COLOR/MATERIAL.
- EXAMPLE:
35899-4800 = 48" BELT, SLIT AND SEGMENTED ORANGE BLD
35899-3610BR = 36" BELT, SEGMENTED BROWN BLADE.



NO.	DESCRIPTION	ECN	DATE	BY
C	CHGD P/N FROM -XXXXXXCRX TO -XXXXXXCYX/ADDED -XXXXXXBIX TO CHART	----	04/27/12	MJB
B	UPDATED BLADE PROFILE AND DIMS / UPDATED NOTES AND CHARTS / CHGD 34855-1218 TO CYA-1218 AND UPDATED CHUTE CUTOUT DETAIL	12574	03/04/09	JAP
A	CHGD TENS F/48, 54, & 60 BELT WIDTHS / UPDATED AIR REQUIREMENTS / ADDED 35899-XXXXXXCRX BLD OPTION / UPDATED NOTES	----	02/14/07	RND

AutoCAD

TITLE	MARTIN® QC™ #1 XHD W/AIR CYLINDER TENS & 12 X 18 ACCESS DOOR	DRAWN RND	DATE 02/08/07
SALES DRAWING		CHECKED	DATE 02/13/07
NO. M00694	REVISION	APPROVED	DATE 02/13/07
		SCALE	1/4

Copyright 2007 Martin Engineering. All rights reserved. Covered by U.S. and foreign patents pending and issued. ® and TM indicate trademarks of Martin Engineering.

MARTIN ENGINEERING
NEPONSET ILLINOIS USA