

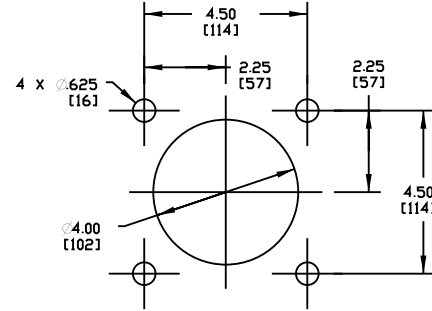
PART NO.	DIM "A" BLADE LENGTH	DIM "B" MNF RM LENGTH
PVIS-18XX12XXXX	12.00 [305]	48.00 [1219]
PVIS-18XX16XXXX	16.00 [406]	48.00 [1219]
PVIS-24XX18XXXX	18.00 [457]	54.00 [1372]
PVIS-24XX22XXXX	22.00 [559]	54.00 [1372]
PVIS-30XX24XXXX	24.00 [610]	60.00 [1524]
PVIS-30XX28XXXX	28.00 [711]	60.00 [1524]
PVIS-36XX30XXXX	30.00 [762]	66.00 [1676]
PVIS-36XX34XXXX	34.00 [864]	66.00 [1676]
PVIS-42XX36XXXX	36.00 [914]	72.00 [1829]
PVIS-42XX40XXXX	40.00 [1016]	72.00 [1829]
PVIS-48XX42XXXX	42.00 [1067]	78.00 [1981]
PVIS-48XX46XXXX	46.00 [1168]	78.00 [1981]
PVIS-54XX48XXXX	48.00 [1219]	84.00 [2134]
PVIS-54XX52XXXX	52.00 [1321]	84.00 [2134]

ASSEMBLY PART NO.	BLADE COLOR
PVIS-XXXXXXBRXX	BROWN
PVIS-XXXXXXCLXX	TAN
PVIS-XXXXXXGRXX	GREEN
PVIS-XXXXXXNBXX	NAVY BLUE
PVIS-XXXXXXDRXX	ORANGE

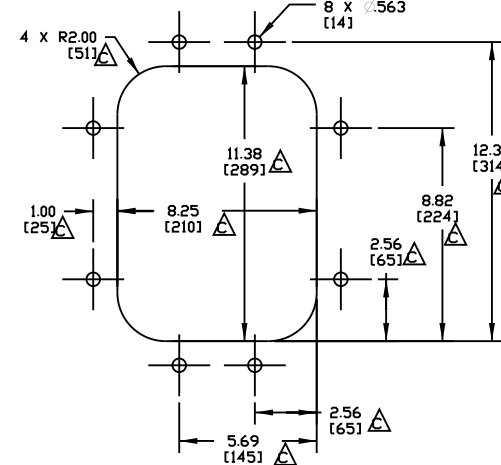
ITEM	QTY.	DESCRIPTION	PART NUMBER
1	1	MARTIN® PV PERFORMANCE DUTY CLEANER	PVIS-XXXXXXXXXX
2	1	MARTIN® SPRING CABLE TENS ASM	37944
3	1	MARTIN® LOW PROFILE STL DOOR 9X12	CYA-0912
4	1	CABLE TENSIONER ADAPTER MOUNT KIT	38100

NOTES:

- ALL DIMENSIONS ARE GIVEN IN INCHES [MM] AND ARE FOR REFERENCE ONLY.
- WHERE EXTREME OR UNUSUAL CONDITIONS EXIST, OR SPECIAL MAINFRAME LENGTHS ARE REQUIRED, CONTACT MARTIN.
- THE PVIS PRECLEANER BLADES ARE DESIGNED TO REMOVE HEAVY CARRYBACK ONLY. DO NOT OVERTENSION.
- BLADE COVERAGE WILL BE LESS THAN BELT WIDTH DUE TO POSSIBLE MISTRACKING OR DAMAGED EDGES OF BELT. CLEANER CAN BE LOCATED ANYWHERE ALONG THE 3.00 [76] ARC AS LONG AS THE BLADE TIP IS BELOW THE HORIZONTAL CENTERLINE. THE CLEANER IS SHOWN IN THE RECOMMENDED POSITION.
- TENSIONER ASSEMBLY MAY BE BOLTED OR WELDED IN PLACE. MARTIN ENGINEERING RECOMMENDS BOLTING WHEN APPLICABLE FOR EASIER MAINTENANCE AND ACCESSIBILITY.
- REFER TO OPERATOR'S MANUAL'S M3734 & M3735, FOR INSTALLATION AND TENSIONING INSTRUCTIONS.
- IN THE P/N:
 - THE PVIS INDICATES A STANDARD DUTY PRE-CLEANER. THE FIRST TWO XX'S INDICATE BELT WIDTH. THE NEXT TWO XX'S INDICATE THE BLADE TYPE.
 - 11 = SOLID BLADE
 - 10 = SEGMENTED BLADE
 - THE NEXT TWO XX'S INDICATE THE BLADE COVERAGE:
 - 00 = NO BLADE
 - THE NEXT TWO XX'S INDICATE THE BLADE URETHANE TYPE:
 - 00 = NO BLADE
 - BR = BROWN BLADE
 - CL = TAN BLADE
 - GR = GREEN BLADE
 - NB = NAVY BLUE BLADE
 - DR = ORANGE BLADE
 - THE NEXT X INDICATES THE MAINFRAME TYPE:
 - 0 = NO MAINFRAME
 - P = STANDARD PAINTED MAINFRAME
 - THE LAST X INDICATES THE ACCESSORY OPTIONS:
 - 0 = NO OPTIONS
 - C = WITH SPRING CABLE TENSIONER

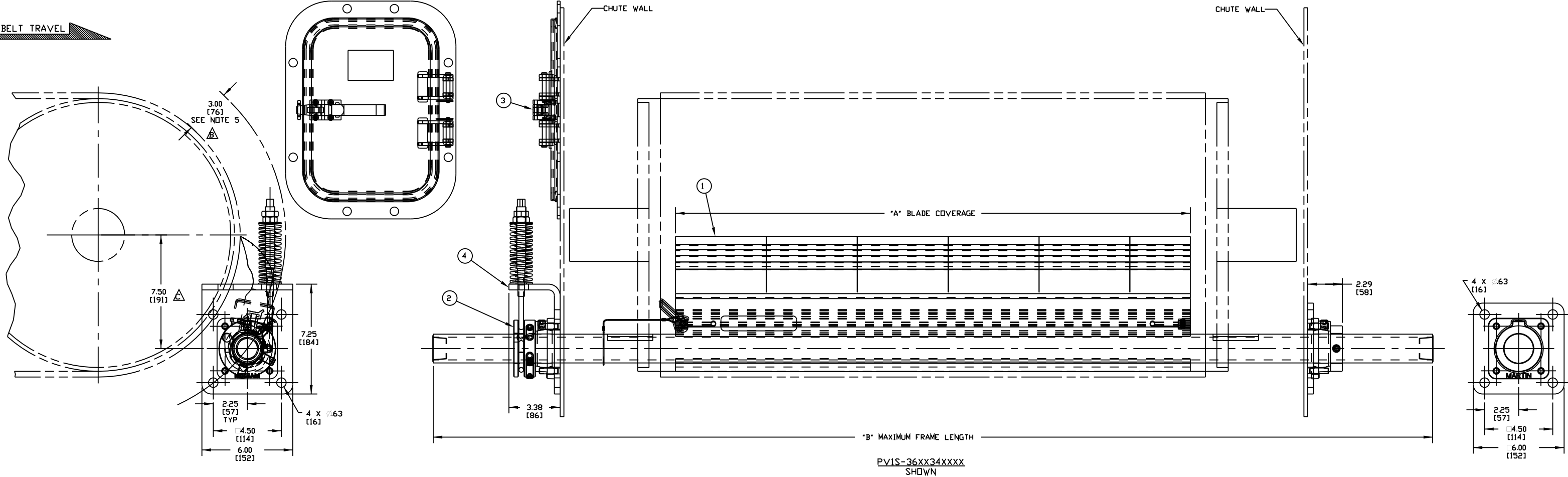


TENSIONER CHUTEWALL CUTOUT DETAIL
(TYPICAL BOTH SIDES)
SCALE 3/8



DOOR CUTOUT DETAIL
SCALE 1/4

BELT TRAVEL



PVIS-36XX34XXXX
SHOWN

©Copyright 2012 Martin Engineering. All rights reserved. Covered by U.S. and Foreign patents pending and issued. ® and TM indicate trademarks of Martin Engineering.

MARTIN ENGINEERING-USA
NEPINSSET, IL USA

NO.	DESCRIPTION	ECN	DATE	BY	SALES DRAWING	APPROVED DM	DATE	SCALE
C	CHGD P/N FROM 34995-0912 TO CYA-0912 IN BDM/CHGD DIM FROM 7.00 TO 7.50, 4 X R181 TO 4 X R200, .75 TO 1.00, 2.81 TO 2.56, 5.94 TO 5.69, 8.75 TO 8.25, [188] TO [1138], 2.92 TO 2.94, 9.07 TO 8.82 & [263] TO [223]	12568	02/10/09	MJB				
B	CHGD DIM FROM 2.75 TO 3.00 IN ARC AND IN NOTES	----	04/22/08	MJB				
A	ADDED P/N PVIS-XXXXXXBRXX & PVIS-XXXXXXGRXX TO THE CHART/ADDED BROWN & GREEN BLADES TO NOTE (P/10654)	----	08/24/07	MJB				
TITLE						MARTIN® PV PERFORMANCE DUTY WITH ADAPTER MOUNT KIT TO CONVERT FROM INTERNAL SPRING TO CABLE TENSIONER	DRAWN JAP DATE 02/19/07 CHECKED ENG. JAP DATE 02/19/07	
REVISION						SALES DRAWING	APPROVED DM DATE 02/19/07 SCALE 5/16	
						PRI0680	S50047	