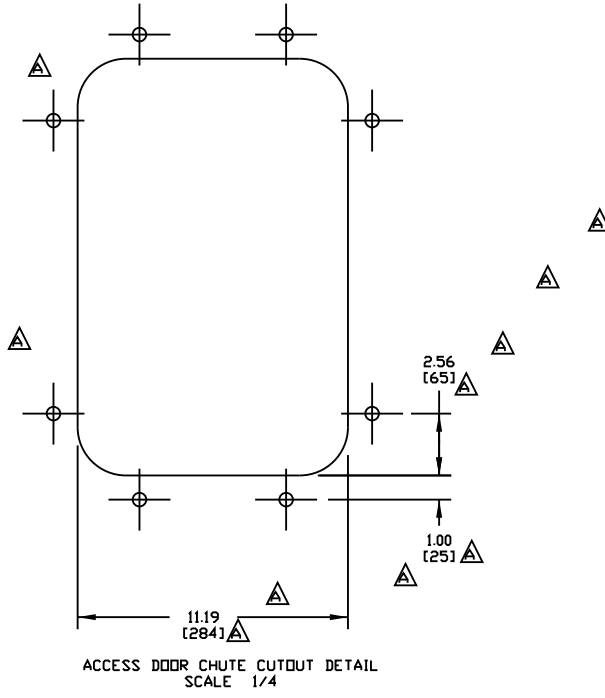
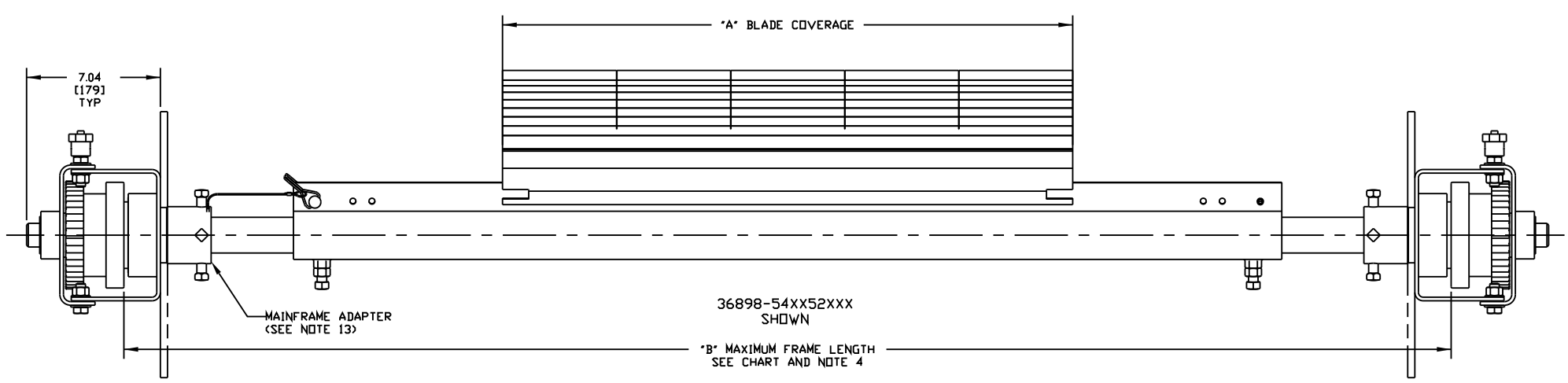
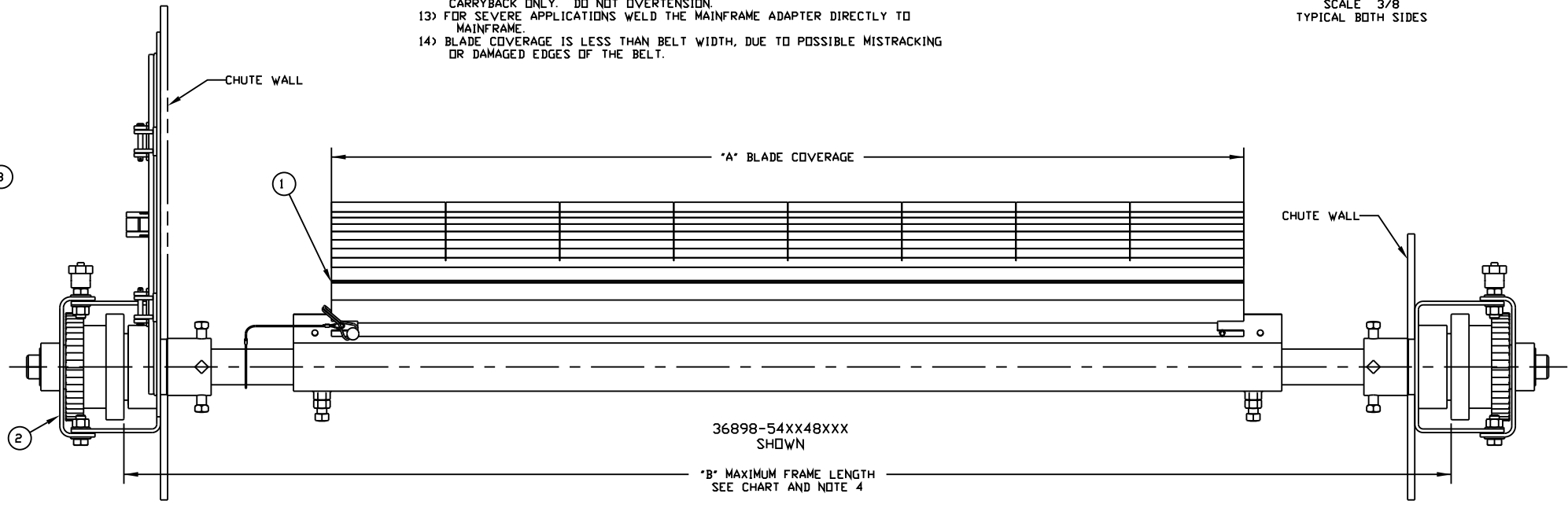
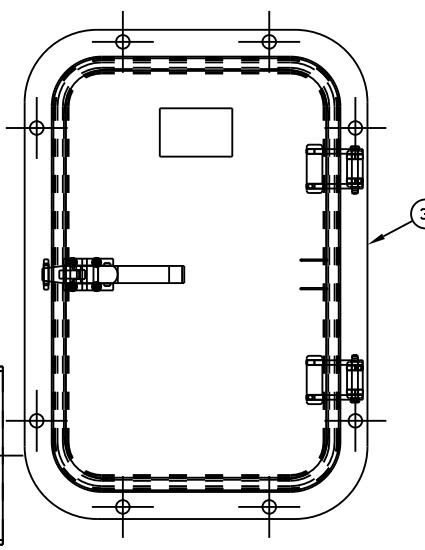
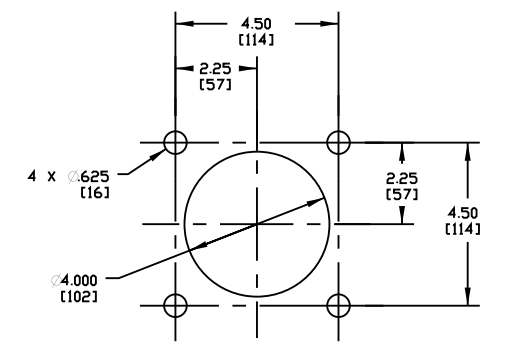
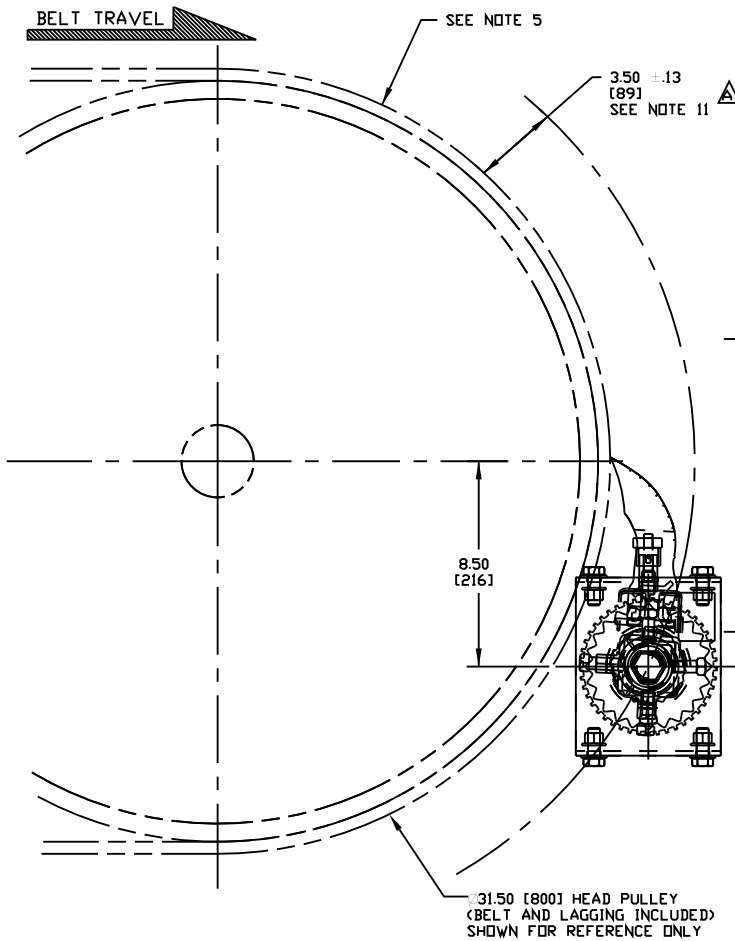


PART NO.	BELT WIDTH	DIM "A" BLADE COVERAGE	DIM "B" FRAME LENGTH
36898-54XX48XXX	54.00 [1400-1600]	48.00 [1219]	86.00 [2184]
36898-54XX52XXX	54.00 [1400-1600]	52.00 [1321]	86.00 [2184]
36898-60XX54XXX	60.00 [1600-1800]	54.00 [1372]	98.00 [2489]
36898-60XX58XXX	60.00 [1600-1800]	58.00 [1473]	98.00 [2489]
36898-66XX60XXX	66.00 [1600-1800]	60.00 [1524]	104.00 [2642]
36898-66XX64XXX	66.00 [1600-1800]	64.00 [1626]	104.00 [2642]
36898-72XX66XXX	72.00 [1800-2000]	66.00 [1676]	110.00 [2794]
36898-72XX70XXX	72.00 [1800-2000]	70.00 [1778]	110.00 [2794]
36898-78XX72XXX	78.00 [1800-2000]	72.00 [1829]	117.00 [2972]
36898-78XX76XXX	78.00 [1800-2000]	76.00 [1930]	117.00 [2972]
36898-84XX78XXX	84.00 [2000-2200]	78.00 [1981]	123.00 [3124]
36898-84XX82XXX	84.00 [2000-2200]	82.00 [2083]	123.00 [3124]
36898-90XX84XXX	90.00 [2200-2400]	84.00 [2134]	129.00 [3277]
36898-96XX90XXX	96.00 [2200-2400]	90.00 [2286]	135.00 [3429]
36898-96XX94XXX	96.00 [2200-2400]	94.00 [2388]	135.00 [3429]

ASSEMBLY PART NO.	COLOR
36898-XXXXXXX	ORANGE
36898-XXXXXXBRX	BROWN
36898-XXXXXXCLX	TAN
36898-XXXXXXGRX	GREEN
36898-XXXXXXNBX	NAVY BLUE

- NOTES:
- ALL DIMENSIONS ARE GIVEN IN INCHES (MM).
  - ALL DIMENSIONS ARE FOR REFERENCE ONLY.
  - IN THE 36898-XXXXXXX PART NUMBER THE FIRST TWO XX'S INDICATE THE BELT WIDTH. THE THIRD X INDICATES A BLADE WITH (0) OR WITHOUT (1) SLITS. THE NEXT X INDICATES A BLADE WITH (0) OR WITHOUT (1) SEGMENTS. THE NEXT TWO XX'S INDICATE BLADE COLOR. THE NEXT TWO XX'S INDICATE BLADE COLOR. THE LAST X INDICATES IF A TENSIONER IS INCLUDED.
- EXAMPLES:
- 36898-361134BRT = 36" BELT WIDTH, 34" BROWN BLADE W/O SLITS AND SEGMENTS, WITH A TWIST TENSIONER.
- 36898-361030 = 36" BELT WIDTH, 30" ORANGE BLADE W/O SLITS AND WITH SEGMENTS.
- 36898-361130GRT = 36" BELT WIDTH, 30" GREEN BLADE W/O SLITS WITHOUT SEGMENTS, WITH A TWIST TENSIONER.
- FRAME IS ADJUSTABLE TO DESIRED LENGTH.
  - THE PRE-CLEANER BLADE IS DESIGNED FOR HEAD PULLEY'S WITH A MINIMUM EFFECTIVE DIAMETER OF 12.00 (305).
  - CLEANER IS SHOWN IN RECOMMENDED WORKING POSITION.
  - WHERE EXTREME OR UNUSUAL CONDITIONS EXIST, OR SPECIAL MAINFRAME LENGTHS ARE REQUIRED CONTACT MARTIN ENGINEERING.
  - TWIST TENSIONER MAY BE BOLTED OR WELDED IN PLACE. MARTIN ENGINEERING RECOMMENDS BOLTING WHEN APPLICABLE FOR EASIER MAINTENANCE AND ACCESSIBILITY.
  - REFER TO OPERATOR'S MANUALS M3618, & M3296 FOR COMPLETE INSTALLATION INSTRUCTIONS.
  - FOR BELT WIDTHS 48.00 (1200-1400) AND SMALLER, MARTIN ENGINEERING RECOMMENDS USING A SINGLE TWIST TENSIONER (P/N 31443). SEE S50048-S.
  - CLEANER CAN BE LOCATED ANYWHERE ALONG THE ARC, AS LONG AS THE MAINFRAME IS OUT OF MATERIAL TRAJECTORY AND THE BLADE TIPS ARE BELOW THE HORIZONTAL CENTERLINE OF THE HEAD PULLEY.
  - THE QC #1 HD PRE-CLEANER BLADES ARE DESIGNED TO REMOVE HEAVY CARRYBACK ONLY. DO NOT OVERTENSION.
  - FOR SEVERE APPLICATIONS WELD THE MAINFRAME ADAPTER DIRECTLY TO MAINFRAME.
  - BLADE COVERAGE IS LESS THAN BELT WIDTH, DUE TO POSSIBLE MISTRACKING OR DAMAGED EDGES OF THE BELT.

ITEM	QTY.	DESCRIPTION	PART NUMBER
1	1	QC#1 HD PRE-CLEANER ASSEMBLY	36898-XXXXXXX
2	1	DUAL TWIST TENSIONER ASSEMBLY	31443-2R
3	1	STEEL ACCESS DOOR ASSEMBLY	CYA-1218



Copyright 2013 Martin Engineering. All rights reserved. Covered by U.S. and Foreign patents pending and issued. R and TM indicate trademarks of Martin Engineering.

MARTIN ENGINEERING-USA  
NEPONSET, IL USA

TITLE	QC#1 HD PRE-CLEANER ASM W/TWIST TENSIONER 12X18 STL ACCESS DOOR	DRAWN	RND
DATE	04/18/07	CHECKED	JLD
DATE	04/19/07	APPROVED	DM
DATE	04/19/07	SCALE	1/4

NO.	DESCRIPTION	ECN	DATE	BY	SALES DRAWING
A	CHG P/N FROM 3495-1218 TO CYA-1218/CHG DIM FROM 11.69 TO 11.19, 10.50 TO 10.25, 17.50 TO 17.25, 14.94 TO 14.69, 2.81 TO 2.56 (2), 8.88 TO 8.63, 7.5 TO 7.00 (2) & 4 X R1.81 TO 4 X R2.00/RHY MOUNTING LOCATION CHART/CHG DIM FROM 4.00 TO 3.50 (18 THRU 15)	12021	03/18/10	MJB	

NO. 00708 DESCRIPTION REVISION ECN DATE BY SALES DRAWING

S50048-D