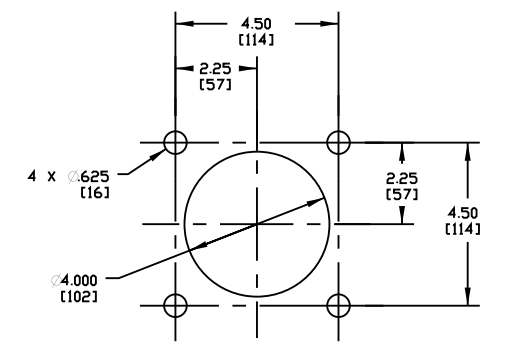
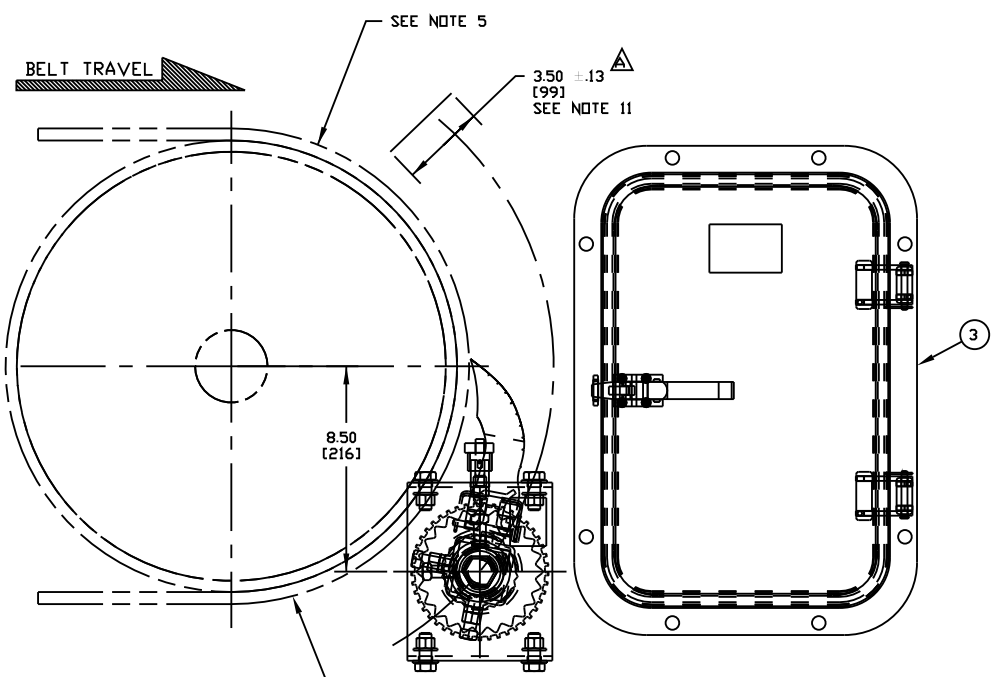


PART NO.	BELT WIDTH	DIM "A" BLADE COVERAGE	DIM "B" FRAME LENGTH
36898-18X12XXX	18.00 [400-500]	12.00 [305]	44.00 [1118]
36898-18X16XXX	18.00 [400-500]	16.00 [406]	44.00 [1118]
36898-24X18XXX	24.00 [500-650]	18.00 [457]	50.00 [1270]
36898-24X22XXX	24.00 [500-650]	22.00 [559]	50.00 [1270]
36898-30X24XXX	30.00 [650-800]	24.00 [610]	62.00 [1575]
36898-30X28XXX	30.00 [650-800]	28.00 [711]	62.00 [1575]
36898-36X30XXX	36.00 [800-1000]	30.00 [762]	68.00 [1727]
36898-36X34XXX	36.00 [800-1000]	34.00 [864]	68.00 [1727]
36898-42X36XXX	42.00 [1000-1200]	36.00 [914]	74.00 [1880]
36898-42X40XXX	42.00 [1000-1200]	40.00 [1016]	74.00 [1880]
36898-48X42XXX	48.00 [1200-1400]	42.00 [1067]	80.00 [2032]
36898-48X46XXX	48.00 [1200-1400]	46.00 [1168]	80.00 [2032]

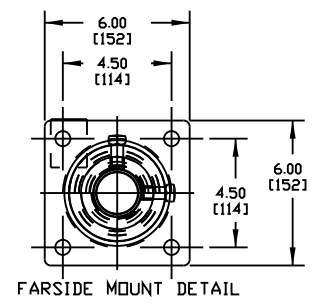
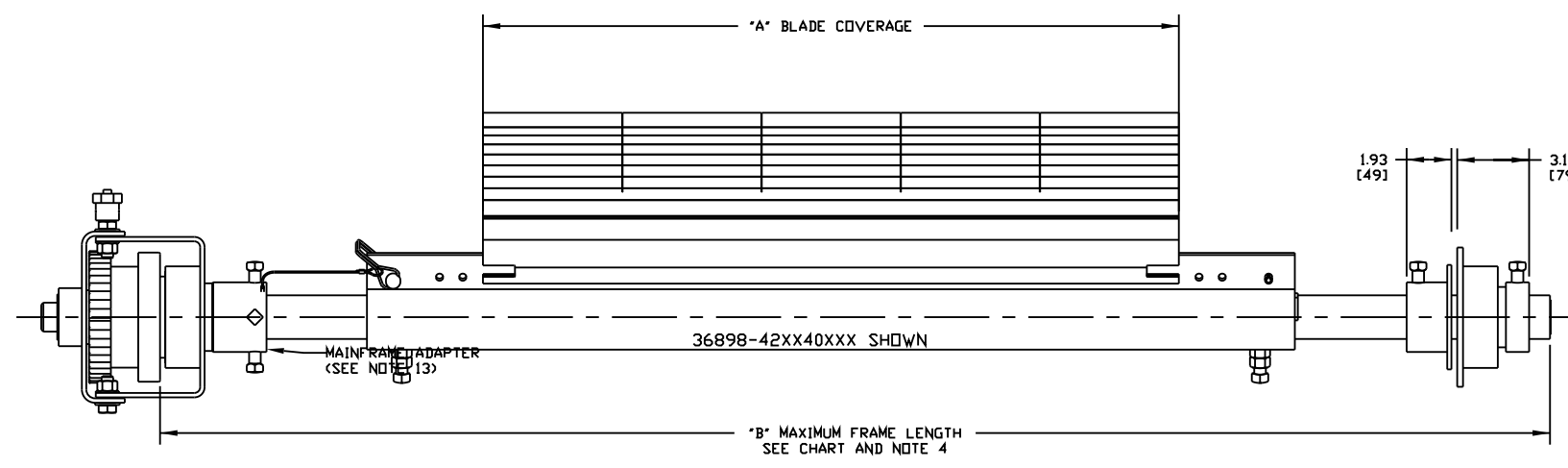
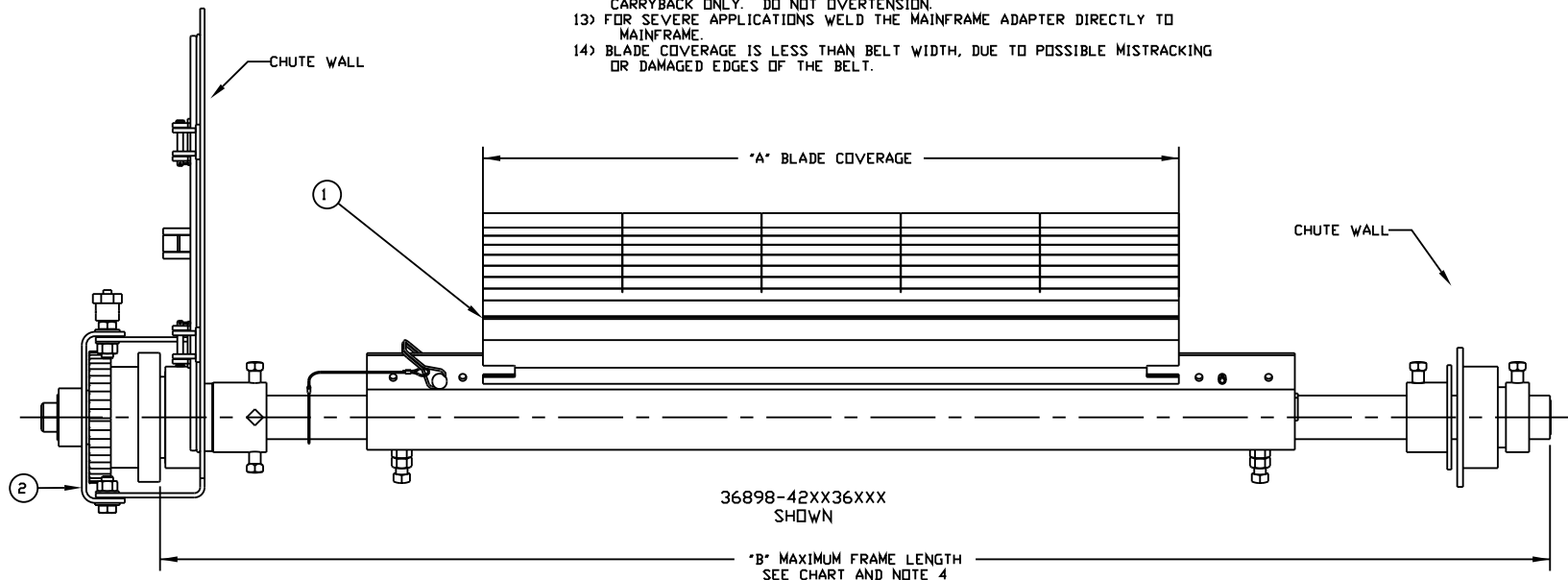
ASSEMBLY PART NO.	COLOR
36898-XXXXXXX	ORANGE
36898-XXXXXXBRX	BROWN
36898-XXXXXXCLX	TAN
36898-XXXXXXGRX	GREEN
36898-XXXXXXNBX	NAVY BLUE

- NOTES:
- ALL DIMENSIONS ARE GIVEN IN INCHES (MM).
  - ALL DIMENSIONS ARE FOR REFERENCE ONLY.
  - IN THE 36898-XXXXXXX PART NUMBER THE FIRST TWO XX'S INDICATE THE BELT WIDTH. THE THIRD X INDICATES A BLADE WITH (0) OR WITHOUT (1) SLITS. THE NEXT X INDICATES A BLADE WITH (0) OR WITHOUT (1) SEGMENTS. THE NEXT TWO XX'S INDICATE BLADE COVERAGE. THE NEXT TWO XX'S INDICATE BLADE COLOR. THE LAST X INDICATES IF A TENSIONER IS INCLUDED.
- EXAMPLES:
- 36898-361134BRT = 36" BELT WIDTH, 34" BROWN BLADE W/D SLITS AND SEGMENTS, WITH A TWIST TENSIONER.
  - 36898-361030 = 36" BELT WIDTH, 30" ORANGE BLADE W/D SLITS AND WITH SEGMENTS.
  - 36898-361130GRT = 36" BELT WIDTH, 30" GREEN BLADE W/D SLITS WITHOUT SEGMENTS, WITH A TWIST TENSIONER.
- FRAME IS ADJUSTABLE TO DESIRED LENGTH.
  - THE PRE-CLEANER BLADE IS DESIGNED FOR HEAD PULLEY'S WITH A MINIMUM EFFECTIVE DIAMETER OF 12.00 (305).
  - CLEANER IS SHOWN IN RECOMMENDED WORKING POSITION.
  - WHERE EXTREME OR UNUSUAL CONDITIONS EXIST, OR SPECIAL MAINFRAME LENGTHS ARE REQUIRED CONTACT MARTIN ENGINEERING.
  - TWIST TENSIONER MAY BE BOLTED OR WELDED IN PLACE. MARTIN ENGINEERING RECOMMENDS BOLTING WHEN APPLICABLE FOR EASIER MAINTENANCE AND ACCESSIBILITY.
  - REFER TO OPERATOR'S MANUALS M3618, & M3296 FOR COMPLETE INSTALLATION INSTRUCTIONS.
  - FOR BELT WIDTHS 54.00 (1400-1600) AND LARGER, MARTIN ENGINEERING RECOMMENDS USING A DUAL TWIST TENSIONER (P/N 31443-2R). SEE S50048-D.
  - CLEANER CAN BE LOCATED ANYWHERE ALONG THE ARC, AS LONG AS THE MAINFRAME IS OUT OF MATERIAL TRAJECTORY AND THE BLADE TIPS ARE BELOW THE HORIZONTAL CENTERLINE OF THE HEAD PULLEY.
  - THE QC #1 HD PRE-CLEANER BLADES ARE DESIGNED TO REMOVE HEAVY CARRYBACK ONLY. DO NOT OVERTENSION.
  - FOR SEVERE APPLICATIONS WELD THE MAINFRAME ADAPTER DIRECTLY TO MAINFRAME.
  - BLADE COVERAGE IS LESS THAN BELT WIDTH, DUE TO POSSIBLE MISTRACKING OR DAMAGED EDGES OF THE BELT.

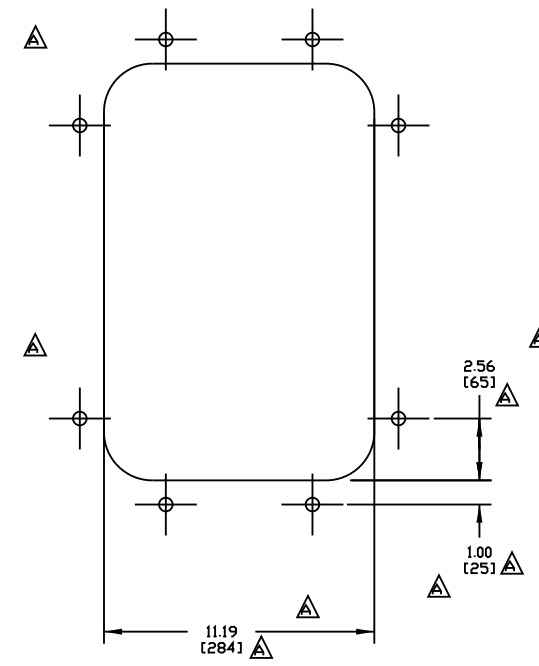
ITEM	QTY.	DESCRIPTION	PART NUMBER
1	1	QC#1 HD PRE-CLEANER ASSEMBLY	36898-XXXXXXX
2	1	TWIST TENSIONER ASSEMBLY	31443
3	1	STEEL ACCESS DOOR ASSEMBLY	CYA-1218



TENSIONER CHUTE CUTOUT DETAIL  
SCALE 3/8  
TYPICAL BOTH SIDES



FARSIDE MOUNT DETAIL



ACCESS DOOR CHUTE CUTOUT DETAIL  
SCALE 1/4

Copyright 2013 Martin Engineering. All rights reserved. Covered by U.S. and Foreign patents pending and issued. R and TM indicate trademarks of Martin Engineering.

MARTIN ENGINEERING-USA  
NEPONSET, IL USA

TITLE	QC#1 HD PRE-CLEANER ASM W/TWIST TENSIONER 12X18 STL ACCESS DOOR	DRAWN	RND
DATE	04/18/07	CHECKED	JLD
ENG.	04/19/07	APPROVED	DM
DATE	04/19/07	SCALE	1/4

NO.	DESCRIPTION	ECN	DATE	BY	SALES DRAWING
A	CHG P/N FROM 34995-1218 TO CYA-1218/CHG DIM FROM 11.69 TO 11.19, 10.50 TO 10.25, 17.50 TO 17.25, 14.94 TO 14.69, 2.81 TO 2.56 (2), 8.88 TO 8.63, 7.5 TO 7.00 (2) & 4 X R1.81 TO 4 X R2.00/RNY MOUNTING LOCATION CHART/CHG DIM FROM 4.00 TO 3.50 (18 THRU 15)	12021	03/18/10	MJB	

NO. 00708 DESCRIPTION REVISION

S50048-S