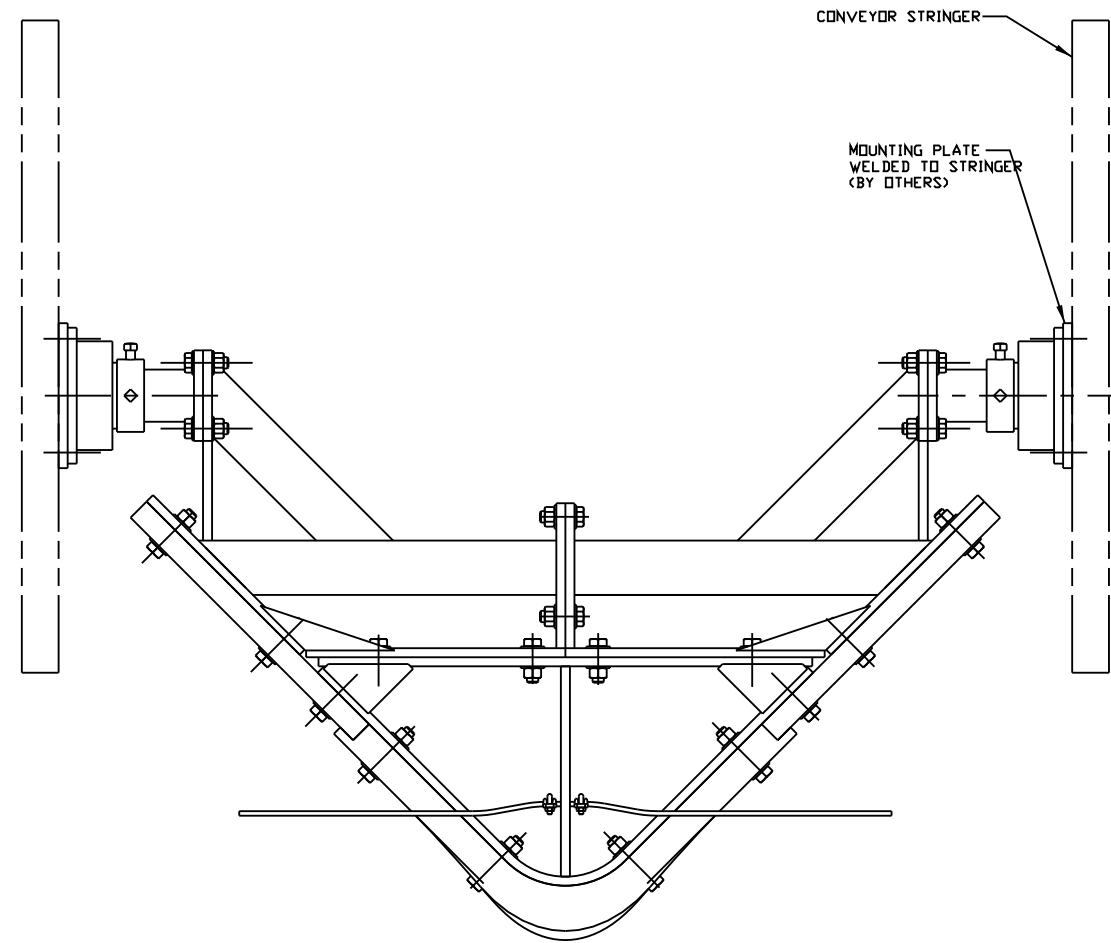
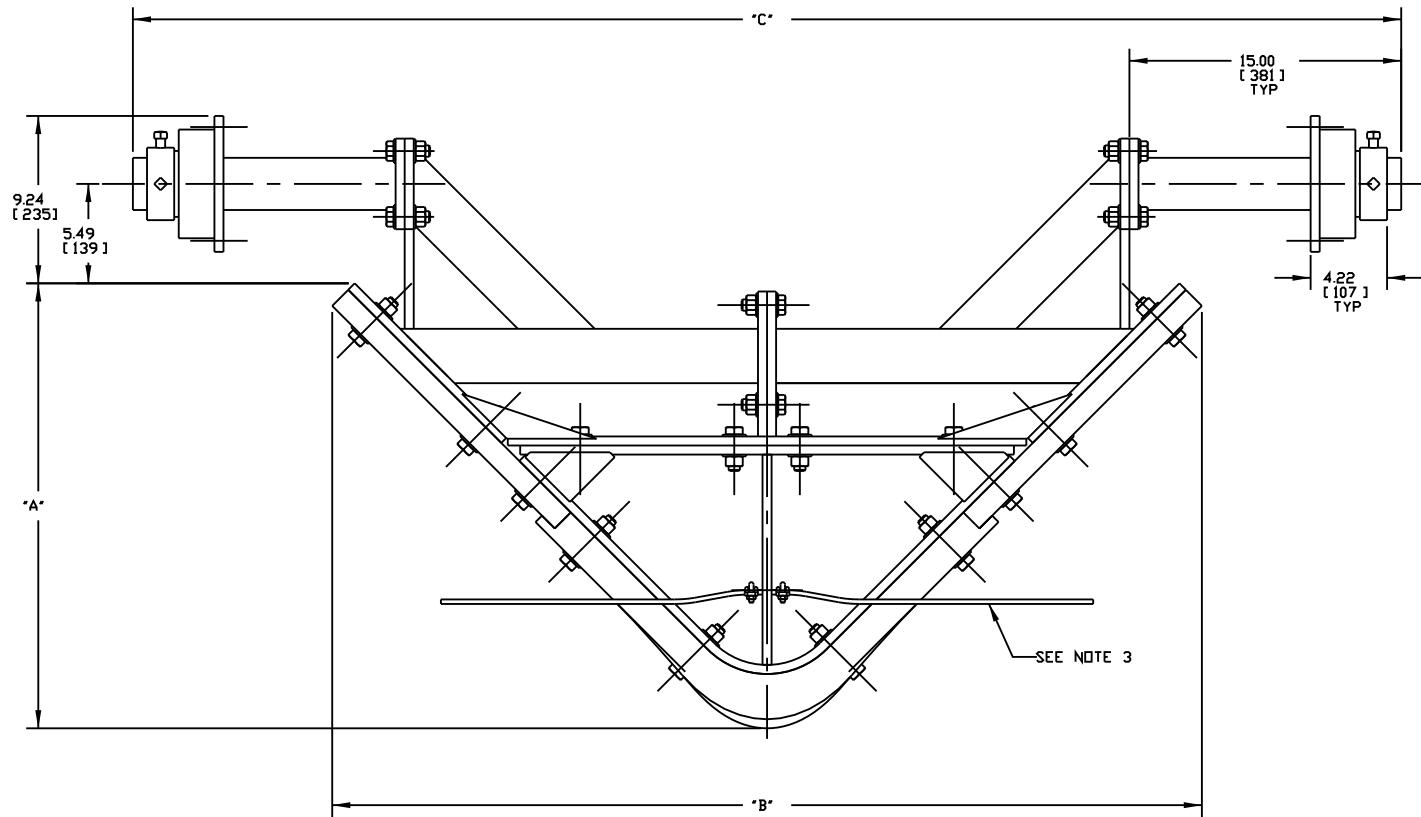
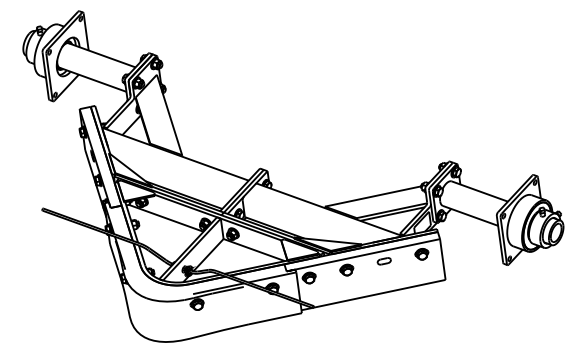


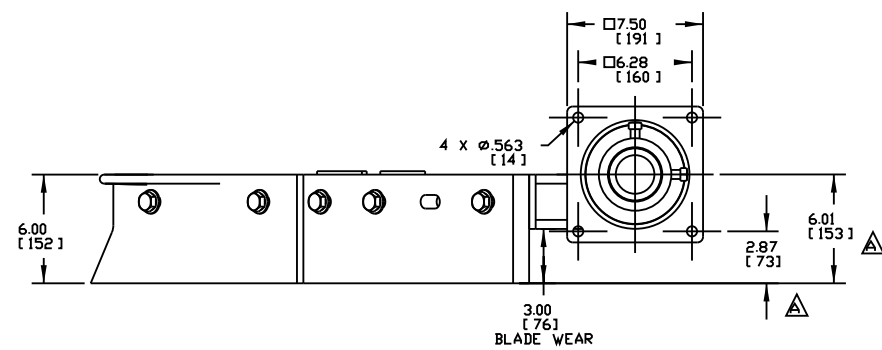
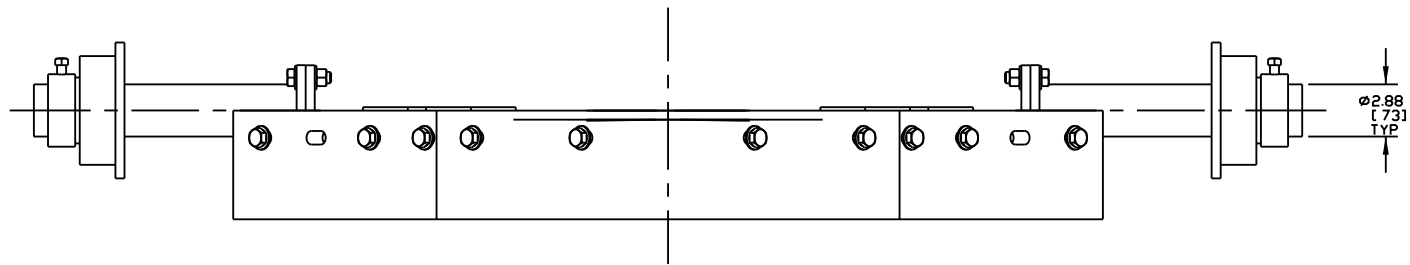
PART NO.	DIM "A"	DIM "B"	DIM "C"	REPLACEMENT BLADE KIT	WEIGHT (LBS)
PLWVH-42XXX	24.56 [624]	48.00 [1219]	70.00 [1778]	38222-42XX	195
PLWVH-48XXX	27.56 [700]	54.00 [1372]	76.00 [1930]	38222-48XX	208
PLWVH-54XXX	30.56 [776]	60.00 [1524]	82.00 [2083]	38222-54XX	223
PLWVH-60XXX	33.56 [852]	66.00 [1676]	88.00 [2235]	38222-60XX	241
PLWVH-72XXX	39.56 [1005]	78.00 [1981]	100.00 [2540]	38222-72XX	283
PLWVH-84XXX	45.56 [1157]	90.00 [2286]	112.00 [2845]	38222-84XX	356
PLWVH-96XXX	51.56 [1310]	102.00 [2591]	124.00 [3150]	38222-96XX	408
PLWVH-120XXX	63.61 [1616]	126.00 [3201]	148.00 [3759]	38222-120XX	530



INSIDE STRINGER MOUNTING DETAIL
SCALE 3/16



ISOMETRIC VIEW
SCALE 3/32



NOTES:
 1) ALL DIMENSIONS ARE GIVEN IN INCHES [MM].
 2) ALL DIMENSIONS ARE FOR REFERENCE ONLY.
 3) SAFETY CABLE TO BE ATTACHED TO BOTH SIDES OF CONVEYOR STRUCTURE WITH SUPPLIED SHACKLES.

NO.	DESCRIPTION	ECN	DATE	BY
A	CHGD DIM 5.75 TO 6.01 AND 2.61 TO 2.87	----	02/01/10	JAP
REVISION				

©Copyright 2010 Martin Engineering. All rights reserved. Covered by U.S. and Foreign patents pending and issued. R and TM indicate trademarks of Martin Engineering.

MARTIN ENGINEERING NEPONSET ILLINOIS USA

TITLE	MARTIN® HEAVY DUTY V-PLOW	DRAWN	JAP
		DATE	10/02/07
		CHECKED	JLD
		DATE	10/09/07
		APPROVED	DM
		DATE	10/09/07
		SCALE	3/16

SALES DRAWING
 PRI0690A S50052