

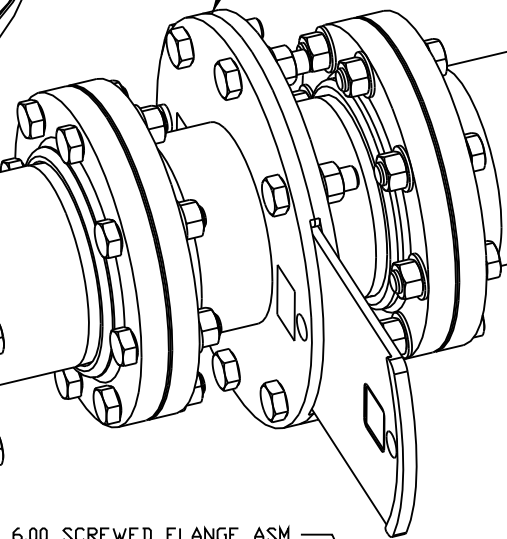
BUTT WELD TYPE JOINT VIEW
SCALE 1/4

BB6 THERMO SAFETY SHIELD WITH SCREWED ON FLANGES (SEE DETAIL) POSITION SO GATE WILL SLIDE WITHOUT INTERFERENCE

PREP PIPE ENDS FOR WELDING AS REQUIRED PER LOCAL CODES

REFRACTORY WALL

NOTES:
1) SHIP A COPY OF DRAWING S50053-6 WITH THE PRODUCT.



SAFETY SHIELD/AIR CANNON ISOMETRIC ASM
SCALE 1/4

6-NPT XHV BLOW PIPE
P/N: 36483

BLOW PIPE OR NOZZLE TO BE FLUSH WITH INSIDE OF WALL

6.00 SLIP-ON FLANGE ASM WITH GASKET AND HARDWARE
P/N: 25752-W

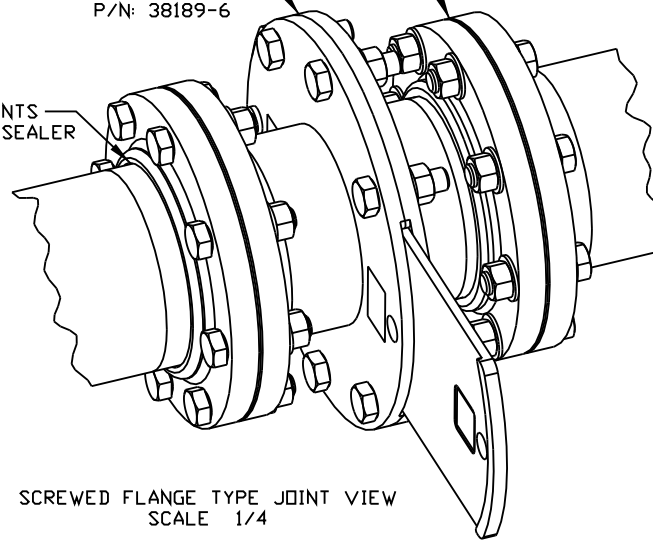
BB6 THERMO SAFETY SHIELD WITH PLAIN ENDS
P/N: 38189-6PE

XHV BB6-2030 AIR CANNON ASSEMBLY
P/N: 36260-2030

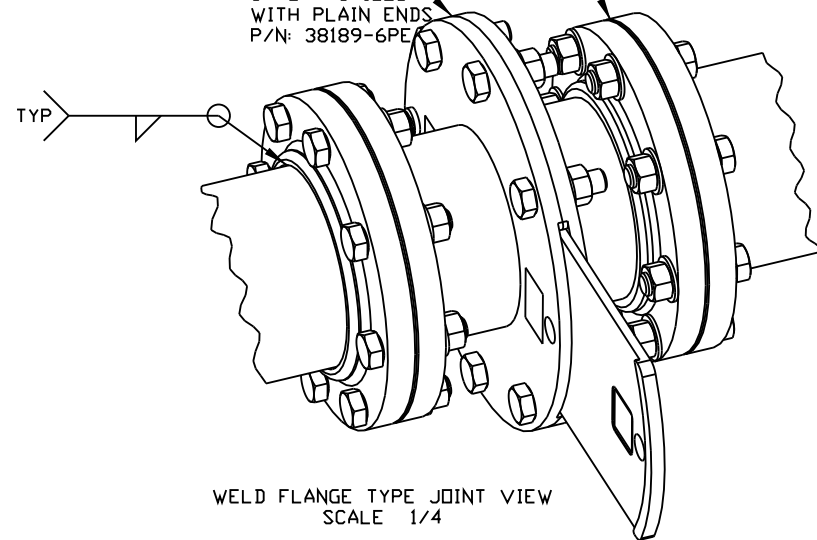
6.00 SCREWED FLANGE ASM WITH GASKET AND HARDWARE
P/N: 25752

BB6 THERMO SAFETY SHIELD WITH THREADED ENDS
P/N: 38189-6

SEAL THREADED JOINTS WITH PIPE THREAD SEALER



SCREWED FLANGE TYPE JOINT VIEW
SCALE 1/4



WELD FLANGE TYPE JOINT VIEW
SCALE 1/4

© Copyright 2007 Martin Engineering. All rights reserved. Covered by U.S. and Foreign patents pending and issued. R and TM indicate trademarks of Martin Engineering.

	NEPONSET ILLINOIS USA	DRAWN RND
		DATE 09/17/07
		CHECKED

TITLE	BB6 THERMO SAFETY SHIELD INSTALLATION DETAIL/JOINT OPTIONS	ENG. JAP
		DATE 09/18/07
		I.E. DATE
		APPROVED TJM
		DATE 09/18/07

NO.	DESCRIPTION	ECN	DATE	BY	DRAWING NUMBER	SCALE
	REVISION				MD0734 S50053-6	1/4