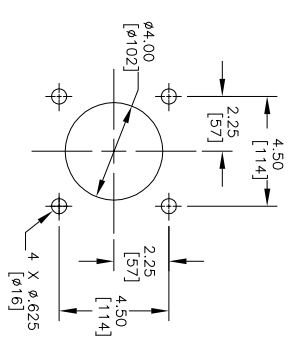
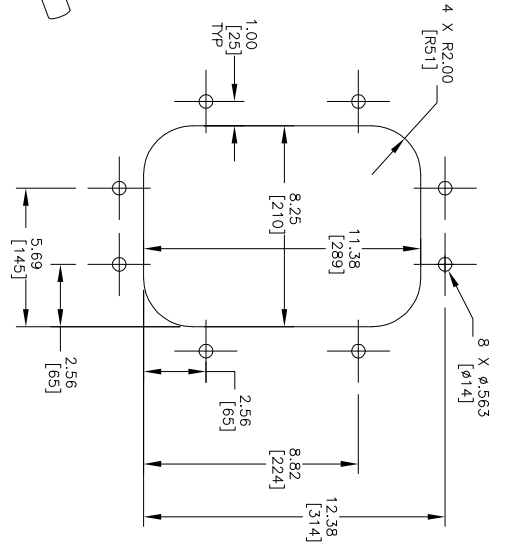
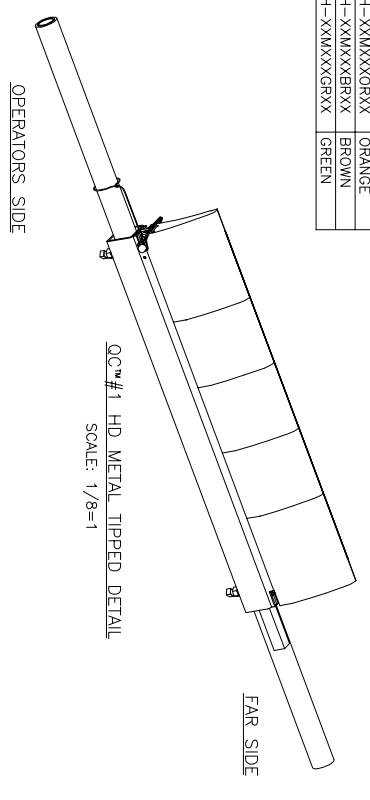


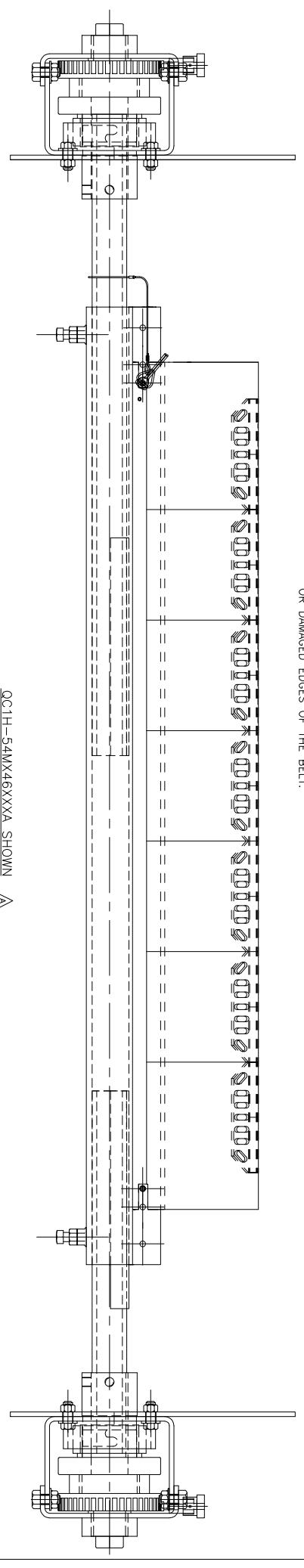
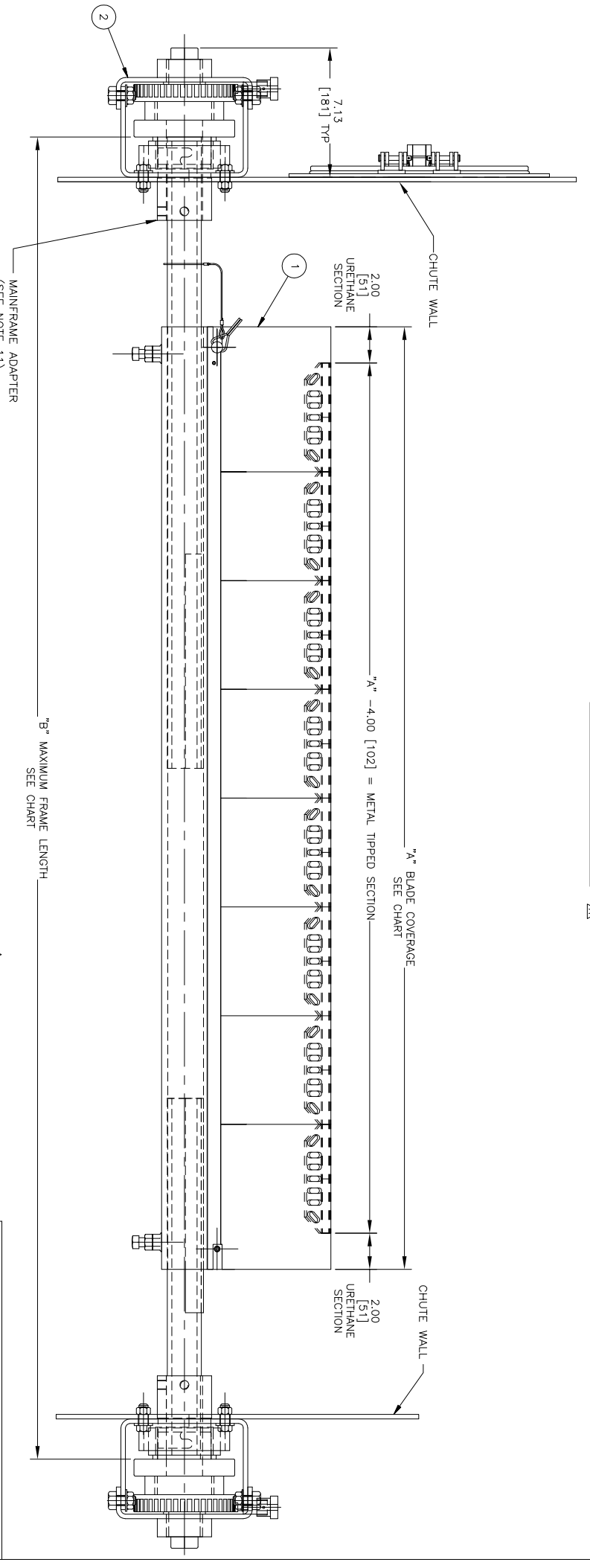
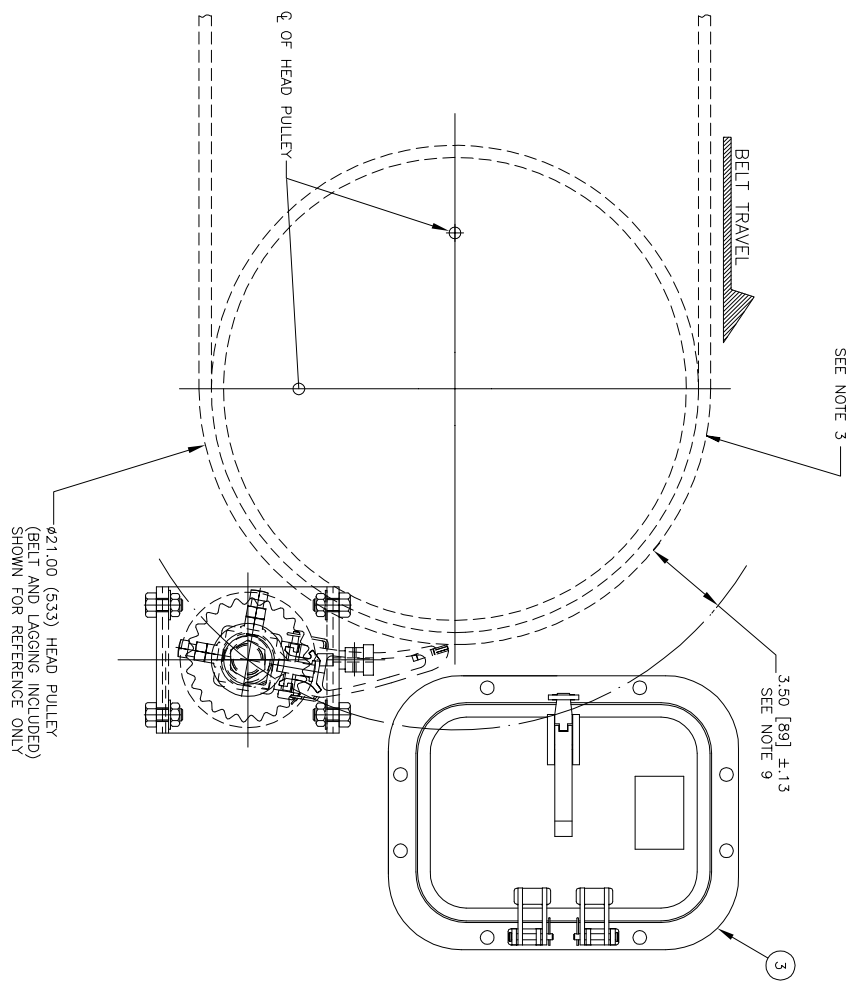
PART NUMBER	BELT WIDTH	DIMENSION "A"	DIMENSION "B"
		BLADE COVERAGE	FRAME LENGTH
QC1H-54MX46XXXX	54.00 [1400-1600]	46.00 [1168]	86.00 [2184]
QC1H-54MX52XXXX	54.00 [1400-1600]	52.00 [1321]	86.00 [2184]
QC1H-60MX52XXXX	60.00 [1600-1800]	52.00 [1321]	98.00 [2489]
QC1H-60MX58XXXX	60.00 [1600-1800]	58.00 [1473]	98.00 [2489]
QC1H-66MX58XXXX	66.00 [1600-1800]	58.00 [1473]	104.00 [2642]
QC1H-66MX64XXXX	66.00 [1600-1800]	64.00 [1626]	104.00 [2642]
QC1H-72MX64XXXX	72.00 [1800-2000]	64.00 [1626]	110.00 [2794]
QC1H-72MX70XXXX	72.00 [1800-2000]	70.00 [1778]	110.00 [2794]
QC1H-78MX70XXXX	78.00 [1800-2000]	70.00 [1778]	117.00 [2972]
QC1H-84MX76XXXX	84.00 [2000-2200]	76.00 [1930]	123.00 [3124]
QC1H-84MX82XXXX	84.00 [2000-2200]	82.00 [2083]	123.00 [3124]
QC1H-96MX82XXXX	96.00 [2200-2400]	88.00 [2235]	135.00 [3429]
QC1H-96MX94XXXX	96.00 [2200-2400]	94.00 [2388]	135.00 [3429]

ASSEMBLY PART NO.	COLOR
QC1H-XXXXXXBRXX	ORANGE
QC1H-XXXXXXBRXX	BROWN
QC1H-XXXXXXGRXX	GREEN



- NOTES:
- 1) ALL DIMENSIONS ARE GIVEN IN INCHES [MM] AND ARE FOR REFERENCE ONLY.
 - 2) IN THE QC1H-XXXXXX PART NUMBER THE FIRST TWO XX'S INDICATE THE BELT WIDTH, THE "M" INDICATES A METAL TIPPED BLADE, THE NEXT X INDICATES THE BLADE TYPE: 0 = NO BLADES, T = MILD STEEL TC TIPPED BLADE, C = CORROSION RESISTANT TC TIPPED BLADE, THE NEXT TWO XX'S INDICATE BLADE COVERAGE: 00 = NO BLADES, THE NEXT TWO XX'S INDICATE BLADE COLOR: (SEE CHART), THE NEXT X INDICATES THE MAINFRAME TYPE: P = STANDARD DUTY, S = STAINLESS STEEL MAINFRAME, THE LAST X INDICATES ACCESSORY OPTIONS: 0 = NO OPTIONS, T = STD TWIST TENSIONER, S = STD SPRING TENSIONER, A = STAINLESS TWIST TENSIONER, B = STAINLESS SPRING TENSIONER.
 - 3) THE PRE-CLEANER BLADE IS DESIGNED FOR HEAD PULLEY'S WITH A MINIMUM EFFECTIVE DIAMETER OF 12.00 [305].
 - 4) CLEANER IS SHOWN IN RECOMMENDED WORKING POSITION.
 - 5) WELD REPAIRS FOR UNUSUAL CONDITIONS EXIST ON SPECIAL MAINFRAME VEHICLES ARE REQUIRED. CONTACT MARTIN ENGINEERING.
 - 6) TWIST TENSIONER MAY BE BOLTED OR WELDED IN PLACE. MARTIN ENGINEERING RECOMMENDS BOLTING WHEN APPLICABLE FOR EASIER MAINTENANCE AND ACCESSIBILITY.
 - 7) REFER TO OPERATOR'S MANUAL, M3814 FOR COMPLETE INSTALLATION INSTRUCTIONS.
 - 8) FOR BELT WIDTHS 48.00 [1200-1400] AND UNDER, MARTIN ENGINEERING RECOMMENDS USING A SS TWIST TENSIONER (P/N: 31443-SS). SEE S50076-S.
 - 9) CLEANER CAN BE LOCATED ANYWHERE ALONG THE ARC AS LONG AS THE MAINFRAME IS OUT OF MATERIAL TRAJECTORY AND THE BLADE TIPS ARE BELOW THE HORIZONTAL CENTERLINE OF THE HEAD PULLEY.
 - 10) THE QC#1 HD MT PRE-CLEANER BLADES ARE DESIGNED TO REMOVE HEAVY CARRYBACK ONLY. DO NOT USE ON BELTS WITH MECHANICAL SPLICES.
 - 11) FOR SEVERE APPLICATIONS WELD THE MAINFRAME ADAPTER DIRECTLY TO MAINFRAME.
 - 12) BLADE COVERAGE IS LESS THAN BELT WIDTH, DUE TO POSSIBLE MISTRACKING OR DAMAGED EDGES OF THE BELT.

ITEM	QTY.	DESCRIPTION	PART NUMBER
1	1	MARTIN® HD MT BLADE ASM	QC1H-XXXXXX
2	1	MARTIN® TWIST™ DUAL TENSIONER ASM SS	31443-SS
3	1	MARTIN® LOW PROFILE STL DOOR 9X12	CVA-0912



Copyright 2010 Martin Engineering. All rights reserved. Covered by U.S. and foreign patents pending and issued. ® and ™ indicate trademarks of Martin Engineering.

MARTIN ENGINEERING

NEPONSET ILLINOIS USA

TITLE	DATE	BY	REVISION
MARTIN® QC#1 HD METAL TIPPED ASM WITH DUAL TWIST™ TENSIONER ASM	09/03/15	RMD	
9 X 12 STEEL DOOR			
SALES DRAWING			S50076-D

APPROVED *[Signature]* DATE 04/21/10

DATE 04/29/10 SCALE 1/4=1