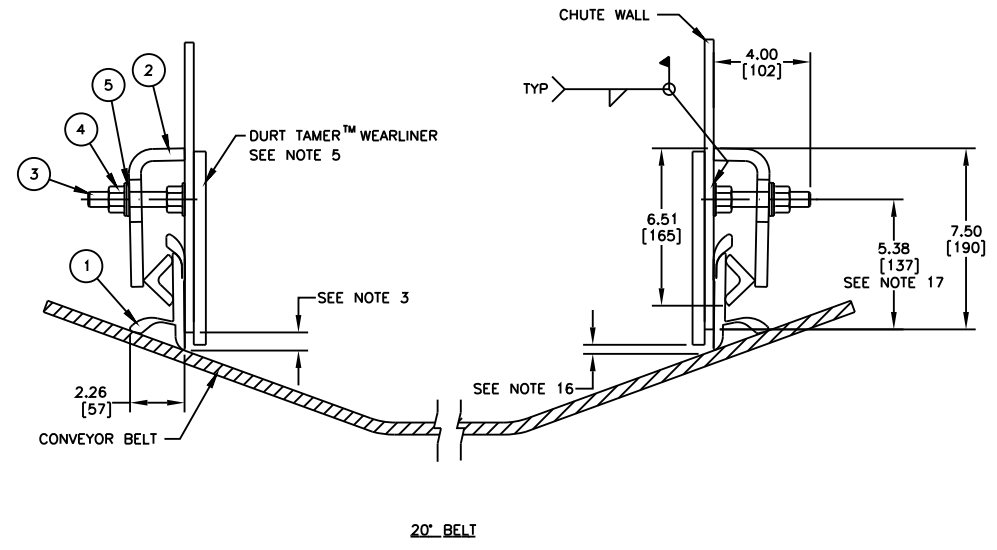
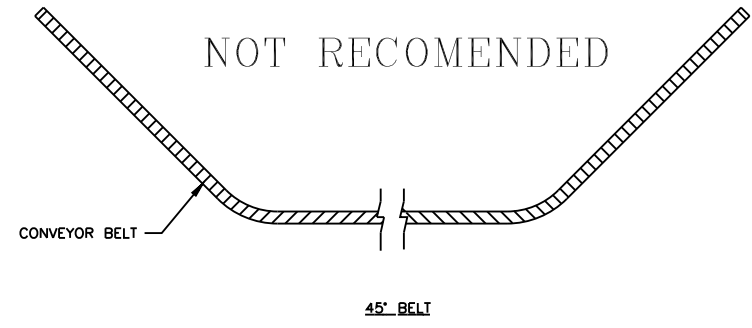


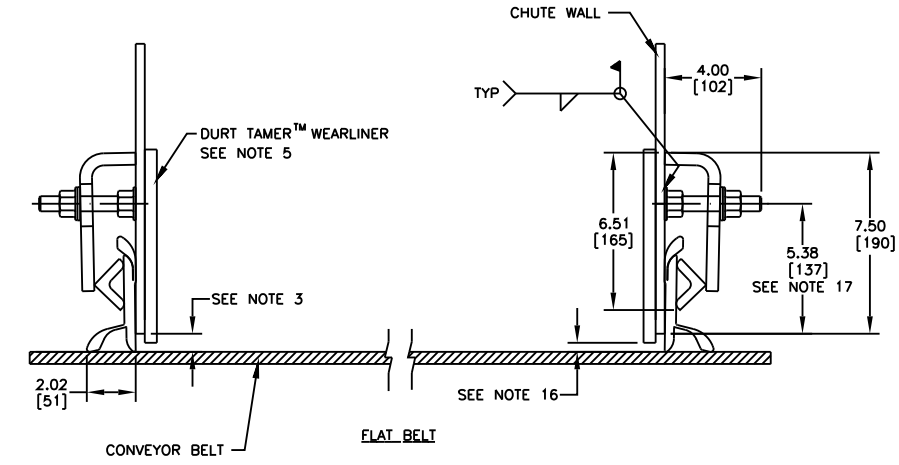
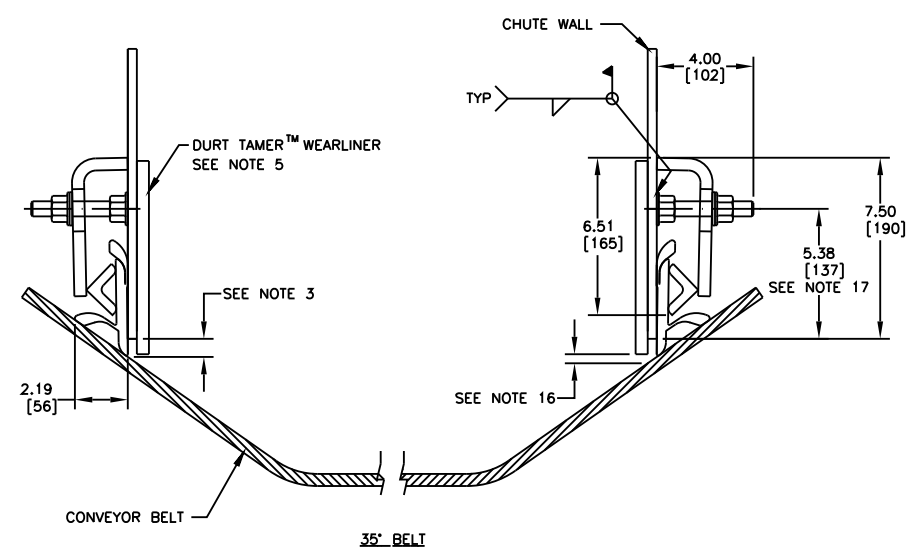
INSTALLATION DETAIL
 ALL DIMENSIONS TYPICAL
 EACH SIDE OF CONVEYOR
 ON ALL LAYOUTS

ITEM	QTY.	DESCRIPTION	PART NUMBER
1	*	STD DUTY DOUBLE APRON SEAL™	100873
2	**	HEAVY DUTY ANGLE CLAMP WELDMENT	34339
3	***	STUD 5/8-11NC X 4	34398
4	***	NUT HEX FLANGE 5/8-11NC	34399
5	***	WASHER FLAT 5/8	16814

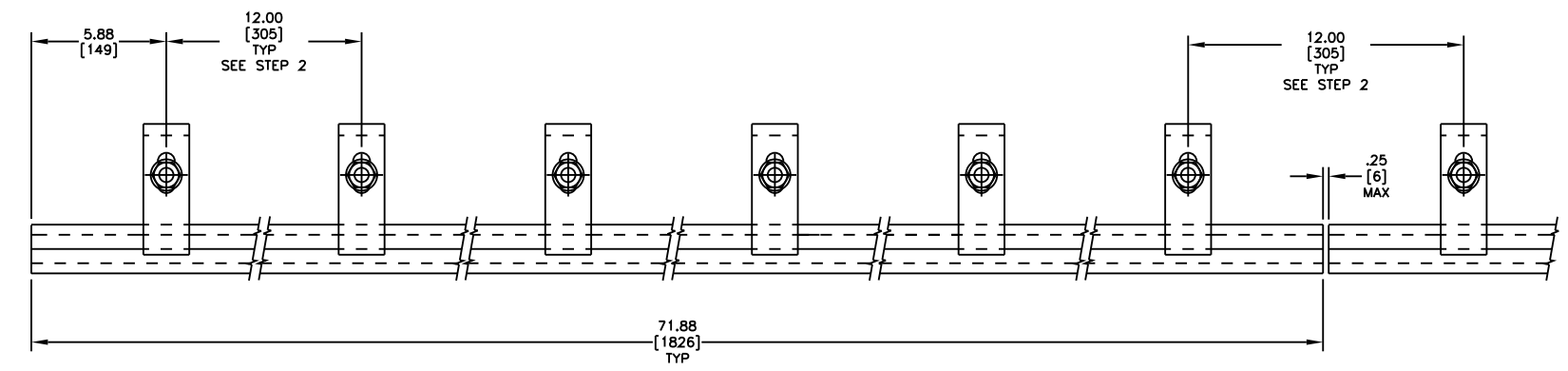
* - SPECIFY LENGTH NEEDED IN FEET.
 ** - EACH WELDMENT IS 71.88 (1826) LONG. (1) WELDMENT REQUIRED PER EVERY 6'-0" (1829) OF 1-PC DOUBLE APRON SEAL™ (ITEM 1).
 *** - (1) STUD (ITEM 3), (2) NUTS (ITEM 4) AND (1) WASHER (ITEM 5) ARE SUPPLIED FOR EACH FOOT OF 1-PC DOUBLE APRON SEAL™. (1) NUT IS USED TO HOLD THE ANGLE CLAMP IN PLACE ON THE STUD, THE OTHER IS WELDED TO THE CHUTE WALL AND THEN INSERT THE STUD.



- NOTES:
- 1) ALL DIMENSIONS ARE GIVEN IN INCHES (MM).
 - 2) ALL DIMENSIONS ARE FOR REFERENCE ONLY.
 - 3) MARTIN ENGINEERING RECOMMENDS CHUTE WALL TO BE WITHIN .75 (19) OF BELT.
 - 4) A MIN. OF 8.00 (203) VERTICAL AND 5.00 (127) HORIZONTAL CLEARANCE REQUIRED TO INSTALL APRON SEAL™ & ANGLE CLAMPS.
 - 5) TO PROVIDE AN EFFECTIVE SEAL, DURT TAMER™ WEARLINERS (STRAIGHT OR DEFLECTOR) ARE RECOMMENDED TO PREVENT THE MAIN LOAD FROM CONTACTING THE APRON SEAL™ (STRAIGHT WEARLINER SHOWN).
 - 6) IF DURT TAMER™ WEARLINERS ARE BOLTED TO CHUTE WALL, APRON SEAL™ AND ANGLE CLAMPS ARE TO BE MOUNTED IN A MANNER AS TO ALLOW EASY ACCESS TO BOLTS.
 - 7) APRON SEAL™ IS DESIGNED AS A DUST SEAL ONLY. IT IS NOT TO BE USED AS A MATERIAL HOLDBACK OR LOAD CARRYING SURFACE.
 - 8) BELT MUST NOT LIFT OFF IDLERS DURING START-UP OR WHILE BELT IS IN OPERATION.
 - 9) BELT MUST TRACK PROPERLY TO PREVENT IT FROM RUNNING BEHIND APRON SEAL™.
 - 10) CONSULT MARTIN ENGINEERING FOR INSTALLATIONS WITH UNUSUAL OR SEVERE CONDITIONS, I.E.: CONCAVE/CONVEX CURVES, EXTREME SIDE PRESSURE, UNUSUALLY FAST OR SLOW MOVING BELTS, TEMPERATURE EXTREMES, ETC.
 - 11) APRON SEAL™ AND DURT TAMER™ WEARLINER SHOULD BEGIN AT LEAST 12.00 (305) BEFORE INLET SIDE OF CHUTE WALL.
 - 12) CONTACT MARTIN ENGINEERING PRIOR TO MOUNTING THESE PRODUCTS IN ANY WAY OTHER THAN WHAT IS DEPICTED ON THIS DRAWING OR IN OPERATOR'S MANUAL (M3248).
 - 13) ANGLE CLAMP WELDMENT (ITEM 2) IS TO BE FULLY TIGHTENED AGAINST CHUTE WALL.
 - 14) ANGLE CLAMP WELDMENT MUST HAVE FIRM BACKING TO ENSURE PROPER CLAMP FORCE.
 - 15) REFER TO OPERATOR'S MANUAL M3248 DURING INSTALLATION. THIS DRAWING NOT TO BE USED IN PLACE OF OPERATOR'S MANUAL.
 - 16) .38 (10) MAX. IN IMPACT AREA, TAPERING TO .75 (19) AT EXIT AREA.
 - 17) FOR FLAT TO 35° BELTS USE PRE-FAB CHUTE WALL P/N 33564-35.



- INSTALLATION INSTRUCTIONS**
- STEP 1: SCRIBE A LINE PARALLEL TO BELT SURFACE 6.13 (156) ABOVE BELT.
 - STEP 2: ALONG THIS LINE, MAKE FIRST MARK 5.88 (150) FROM END OF CHUTE WALL AND MARK EVERY 12.00 (305).
 - STEP 3: ON THESE MARKED CENTERS, WELD 5/8-11NC X 4 STUDS. WHEN WELDING STUDS, MAKE SURE THAT THEY ARE WELDED PERPENDICULAR TO THE CHUTE WALL TO ENSURE EVEN CLAMP CONTACT.
 - STEP 4: PLACE APRON SEAL™ AGAINST CHUTE WALL, MAKING SURE IT IS IN CONTINUOUS CONTACT WITH BELT. PLACE ANGLE CLAMP WELDMENT OVER PREVIOUSLY WELDED STUDS.
 - STEP 5: PUSH ANGLE CLAMP WELDMENT TIGHT AGAINST APRON SEAL™ AND INSTALL NUTS. TIGHTEN NUTS TO 40 FT/LBS.



© Copyright 2010 Martin Engineering. All rights reserved. Covered by U.S. and foreign patents pending and issued. ® and ™ indicate trademarks of Martin Engineering.

MARTIN ENGINEERING
 NEPONSET ILLINOIS USA

TITLE	MARTIN® STANDARD DUTY DOUBLE APRON SEAL™ & HEAVY DUTY ANGLE CLAMP INSTALLATION DRAWING	DRAWN RND	DATE 05/13/10
CHECKED		CHECKED	
APPROVED		DATE 05/13/10	

NO.	DESCRIPTION	ECN	DATE	BY	SALES DRAWING
AutoCAD	REVISION				M00807

S50077-HDC SCALE 1/4