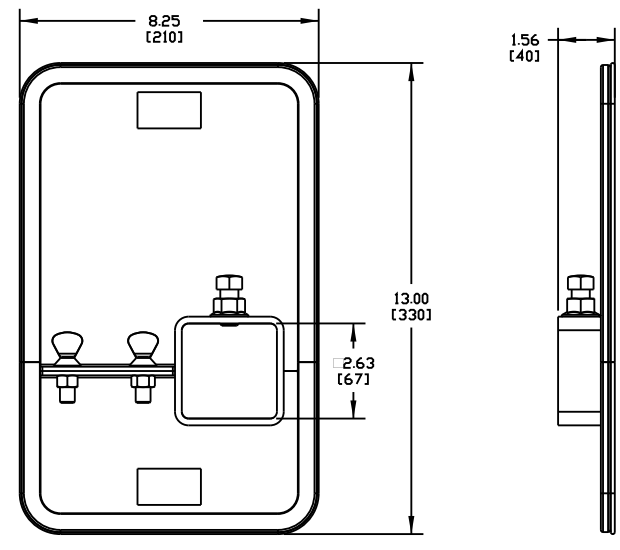
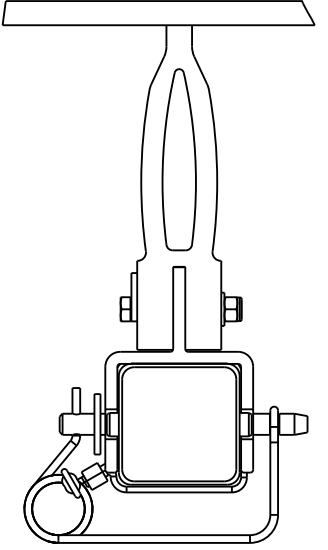
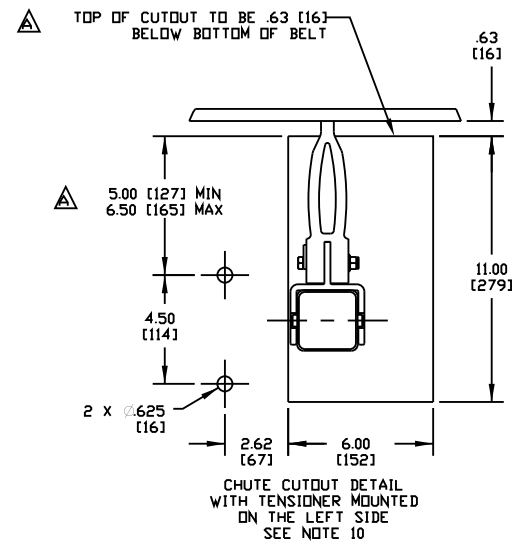


ITEM	QTY.	DESCRIPTION	PART NUMBER
1	1	SQC2 SM SQ MNFRM ASM W/URE REV	SEE CHART
2	1	BUBT TIGHT DOOR ASM F/SQ MNFRM	38014-SQCS

BLADE CHART	
PART NO.	COLOR
SQC2S-XXRXXB3XXX	BROWN
SQC2S-XXRXGX3XXX	GREEN
SQC2S-XXRXN3XXX	NAVY BLUE
SQC2S-XXRXD3XXX	DRANGE

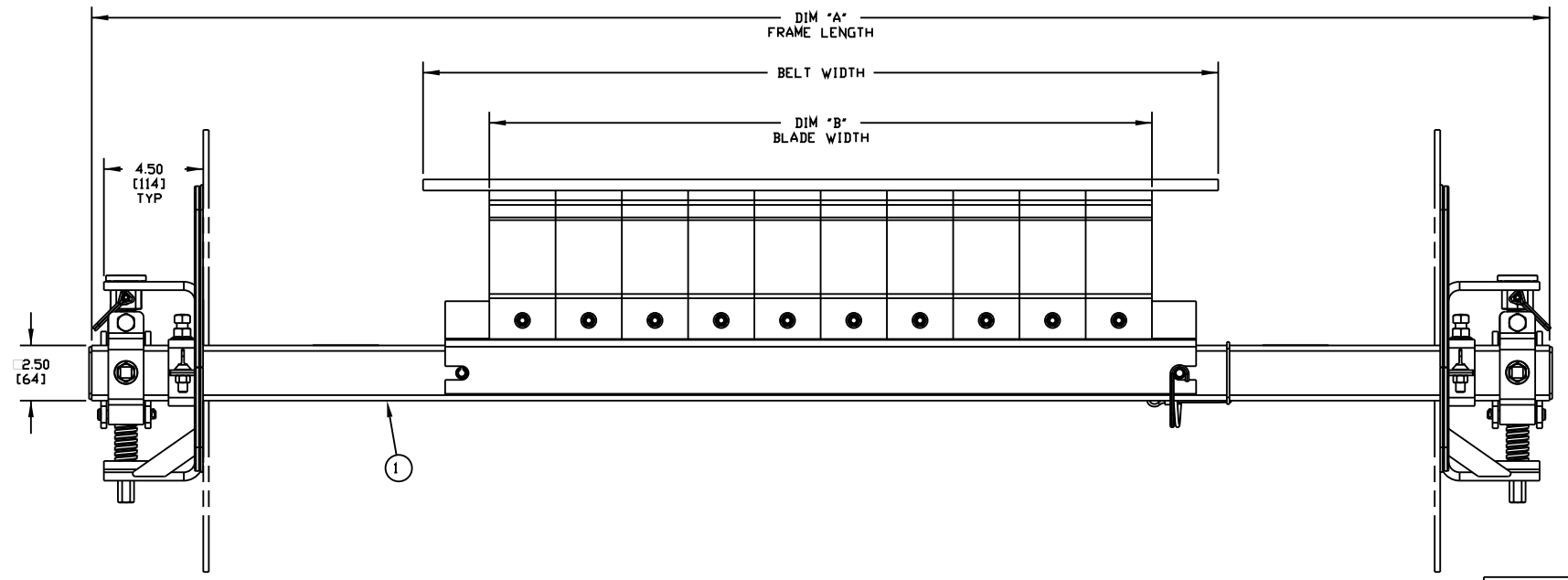
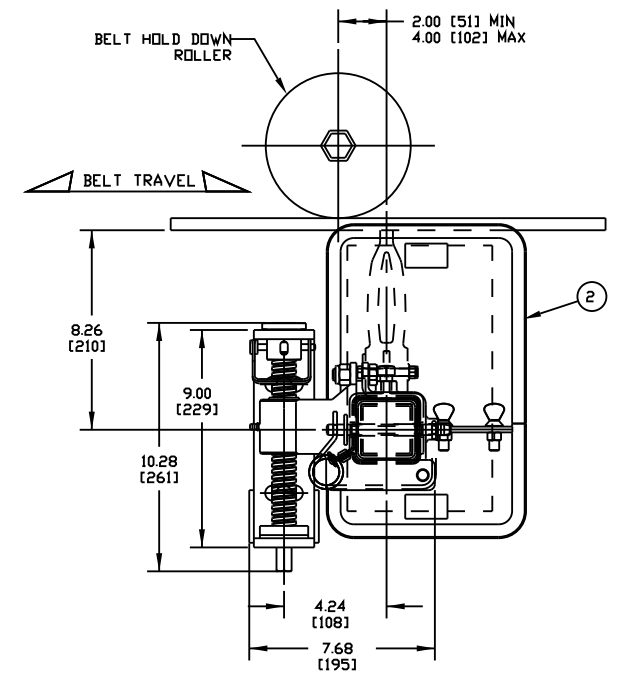
PART NO.	DIM "A" BLADE WIDTH	DIM "B" MNFRM LENGTH
SQC2S-18R12X3XXX	12.00 [305]	48.00 [1219]
SQC2S-18R18X3XXX	18.00 [457]	48.00 [1219]
SQC2S-24R18X3XXX	18.00 [457]	54.00 [1372]
SQC2S-24R24X3XXX	24.00 [610]	54.00 [1372]
SQC2S-30R24X3XXX	24.00 [610]	60.00 [1524]
SQC2S-30R30X3XXX	30.00 [762]	60.00 [1524]
SQC2S-36R30X3XXX	30.00 [762]	66.00 [1676]
SQC2S-36R36X3XXX	36.00 [914]	66.00 [1676]
SQC2S-42R36X3XXX	36.00 [914]	72.00 [1829]
SQC2S-42R42X3XXX	42.00 [1067]	72.00 [1829]
SQC2S-48R42X3XXX	42.00 [1067]	78.00 [1981]
SQC2S-48R48X3XXX	48.00 [1219]	78.00 [1981]
SQC2S-54R48X3XXX	48.00 [1219]	84.00 [2134]
SQC2S-54R54X3XXX	54.00 [1372]	84.00 [2134]
SQC2S-60R54X3XXX	54.00 [1372]	90.00 [2286]
SQC2S-60R60X3XXX	60.00 [1524]	90.00 [2286]
SQC2S-66R60X3XXX	60.00 [1524]	96.00 [2438]
SQC2S-66R66X3XXX	66.00 [1676]	96.00 [2438]
SQC2S-72R66X3XXX	66.00 [1676]	102.00 [2591]
SQC2S-72R72X3XXX	72.00 [1829]	102.00 [2591]
SQC2S-78R72X3XXX	72.00 [1829]	108.00 [2743]
SQC2S-78R78X3XXX	78.00 [1981]	108.00 [2743]
SQC2S-84R78X3XXX	78.00 [1981]	114.00 [2896]
SQC2S-84R84X3XXX	84.00 [2134]	114.00 [2896]
SQC2S-90R84X3XXX	84.00 [2134]	120.00 [3048]
SQC2S-90R90X3XXX	90.00 [2286]	120.00 [3048]
SQC2S-96R90X3XXX	90.00 [2286]	126.00 [3200]
SQC2S-96R96X3XXX	96.00 [2438]	126.00 [3200]

PART NO.	DIM "A" BLADE WIDTH	DIM "B" MNFRM LENGTH
SQC2S-18R12X3EXX	12.00 [305]	66.00 [1676]
SQC2S-18R18X3EXX	18.00 [457]	66.00 [1676]
SQC2S-24R18X3EXX	18.00 [457]	72.00 [1829]
SQC2S-24R24X3EXX	24.00 [610]	72.00 [1829]
SQC2S-30R24X3EXX	24.00 [610]	78.00 [1981]
SQC2S-30R30X3EXX	30.00 [762]	78.00 [1981]
SQC2S-36R30X3EXX	30.00 [762]	84.00 [2134]
SQC2S-36R36X3EXX	36.00 [914]	84.00 [2134]
SQC2S-42R36X3EXX	36.00 [914]	90.00 [2286]
SQC2S-42R42X3EXX	42.00 [1067]	90.00 [2286]
SQC2S-48R42X3EXX	42.00 [1067]	96.00 [2438]
SQC2S-48R48X3EXX	48.00 [1219]	96.00 [2438]
SQC2S-54R48X3EXX	48.00 [1219]	102.00 [2591]
SQC2S-54R54X3EXX	54.00 [1372]	102.00 [2591]
SQC2S-60R54X3EXX	54.00 [1372]	108.00 [2743]
SQC2S-60R60X3EXX	60.00 [1524]	108.00 [2743]
SQC2S-66R60X3EXX	60.00 [1524]	114.00 [2896]
SQC2S-66R66X3EXX	66.00 [1676]	114.00 [2896]
SQC2S-72R66X3EXX	66.00 [1676]	120.00 [3048]
SQC2S-72R72X3EXX	72.00 [1829]	120.00 [3048]
SQC2S-78R72X3EXX	72.00 [1829]	126.00 [3200]
SQC2S-78R78X3EXX	78.00 [1981]	126.00 [3200]
SQC2S-84R78X3EXX	78.00 [1981]	132.00 [3353]
SQC2S-84R84X3EXX	84.00 [2134]	132.00 [3353]
SQC2S-90R84X3EXX	84.00 [2134]	138.00 [3505]
SQC2S-90R90X3EXX	90.00 [2286]	138.00 [3505]
SQC2S-96R90X3EXX	90.00 [2286]	144.00 [3658]
SQC2S-96R96X3EXX	96.00 [2438]	144.00 [3658]



- NOTES:
- 1) ALL DIMENSIONS ARE GIVEN IN INCHES [MM].
 - 2) ALL DIMENSIONS ARE FOR REFERENCE ONLY.
 - 3) FOR EASE OF ACCESSIBILITY AND MAINTENANCE MARTIN ENGINEERING RECOMMENDS BOLTING CLEANER TO EXISTING STRUCTURE WHEN APPLICABLE.
 - 4) DUE TO STRUCTURAL TOLERANCES IN THE FIELD, DIMENSIONS AND LOCATIONS MAY VARY.
 - 5) WHERE EXTREME AND UNUSUAL CONDITIONS EXIST, OR SPECIAL MAINFRAME LENGTHS ARE REQUIRED, CONTACT MARTIN ENGINEERING.
 - 6) CUSTOMER MAY HAVE TO MODIFY STRUCTURE TO PROPERLY INSTALL CLEANER.
 - 7) REFER TO OPERATOR'S MANUAL (M3682) FOR ADDITIONAL AND OPTIONAL INSTALLATION INSTRUCTIONS.
 - 8) MARTIN ENGINEERING RECOMMENDS POSITIONING OF AN IDLER FOR PROPER BACKING SUPPORT OF THE CLEANER IF NOT LOCATED ON THE HEAD PULLEY.

- NOTES (CONT'D):
- 9) MAINFRAME IS SUPPLIED LONGER THAN REQUIRED, FIELD CUT TO DESIRED LENGTH.
 - 10) LOCATE AND DRILL HOLES FOR TENSIONER BEFORE LOCATING ACCESS WINDOW, NOTE TENSIONER LT/RT MOUNTING DIRECTION.
 - 11) IN THE CLEANER P/N, THE FIRST TWO XX'S INDICATE THE BELT WIDTH (18 THRU 96). THE R INDICATES THE BLADE TYPE: (R= REVERSING URETHANE - SEE BLADE CHART). THE NEXT TWO XX'S INDICATE THE BLADE CLEANING WIDTH (18 THRU 96). THE NEXT TWO XX'S INDICATE THE URETHANE COLOR: (B3=BROWN, G3=GREEN, D3=DRANGE, N3=NAVY BLUE OR 03=NO BLADES). THE NEXT X INDICATES THE MAINFRAME OPTIONS: (E=EXTENDED LENGTH PAINTED STEEL MAINFRAME, P=PAINTED STEEL MAINFRAME, S=STAINLESS STEEL MAINFRAME). THE NEXT X INDICATES IF A TENSIONER IS INCLUDED. THE LAST X INDICATES IF ADDITIONAL OPTIONS ARE INCLUDED. (D = DUST TIGHT STEEL COVER DOOR).



Copyright 2013 Martin Engineering. All rights reserved. Covered by U.S. and Foreign patents pending and issued. R and TM indicate trademarks of Martin Engineering.

MARTIN ENGINEERING-USA
NEPONSET, IL USA

TITLE	MARTIN® SQ2 SM SQ MNFRM SECONDARY BELT CLEANER WITH REVERSING BLADES	DRAWN	JAP
DATE	04/26/13	DATE	04/26/11
ENG.	MJB	CHECKED	
DATE	04/27/11	APPROVED	DM
DATE	04/28/11	SCALE	1/4

NO.	DESCRIPTION	ECN	DATE	BY
B	ADDED CHART W/EXTENDED MAINFRAME DIM'S	----	04/26/13	MJB
A	UPDATED MILLIMETER DIMENSIONS FOR DIM "B" / CHGD DIM FROM 5.75 MIN/6.25 MAX TO 5.00 MIN/6.50 MAX /CHGD FROM TOP OF CUTOUT ALIGNED WITH BOTTOM OF BELT TO CUTOUT .63 BELOW BOTTOM OF BELT.	13161	09/06/11	RND

SALES DRAWING
PR12029 S50081-R