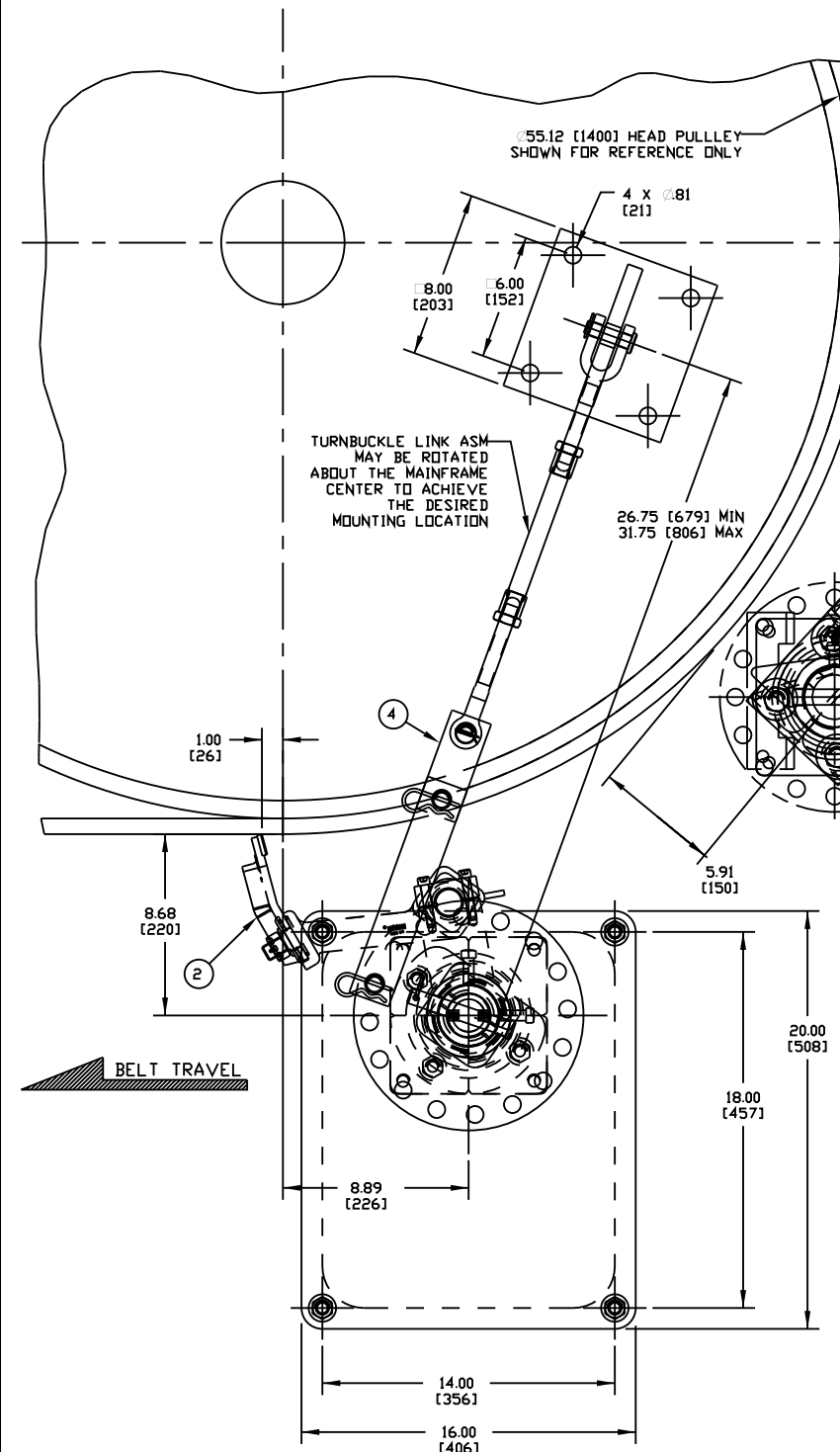


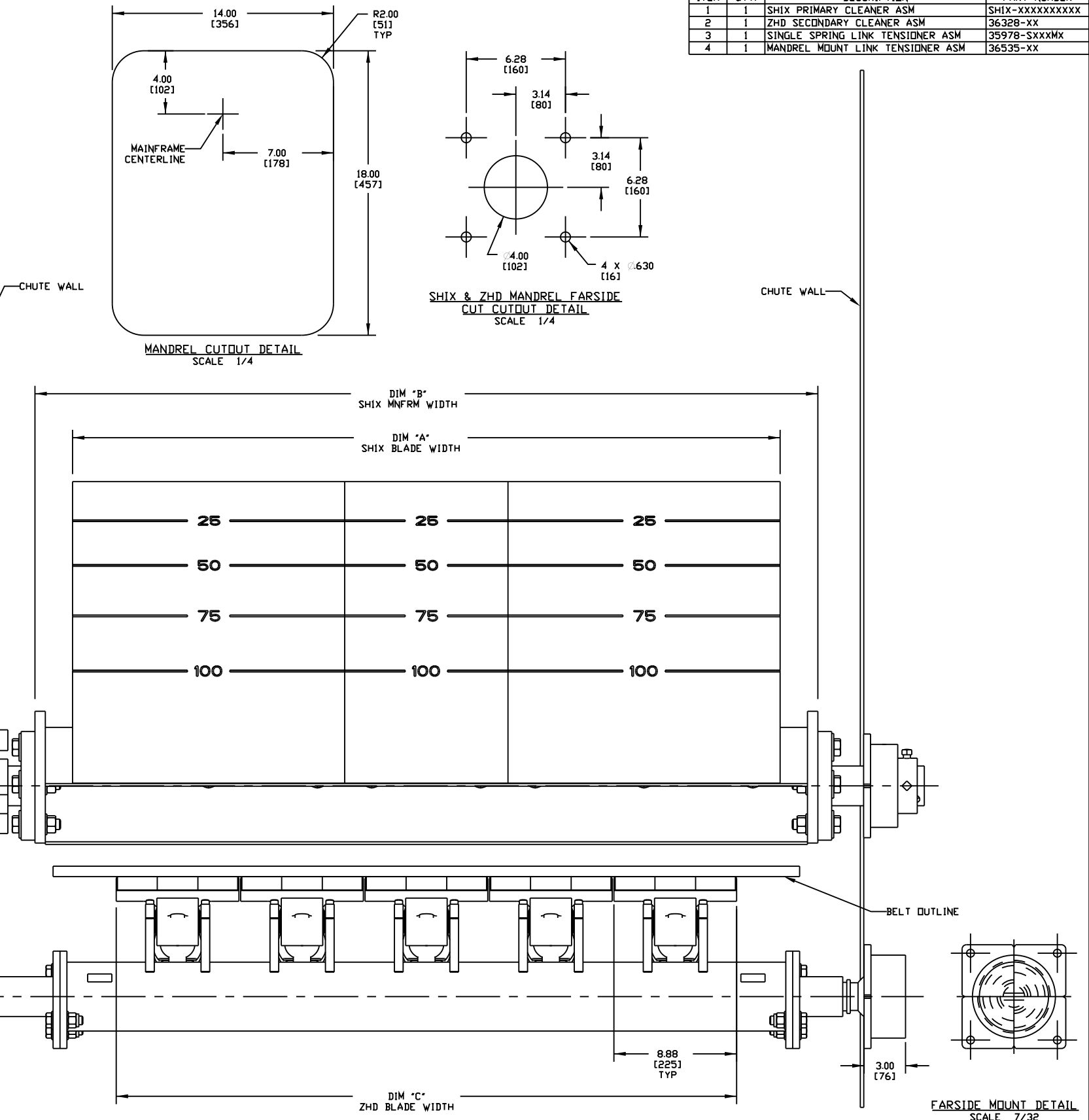
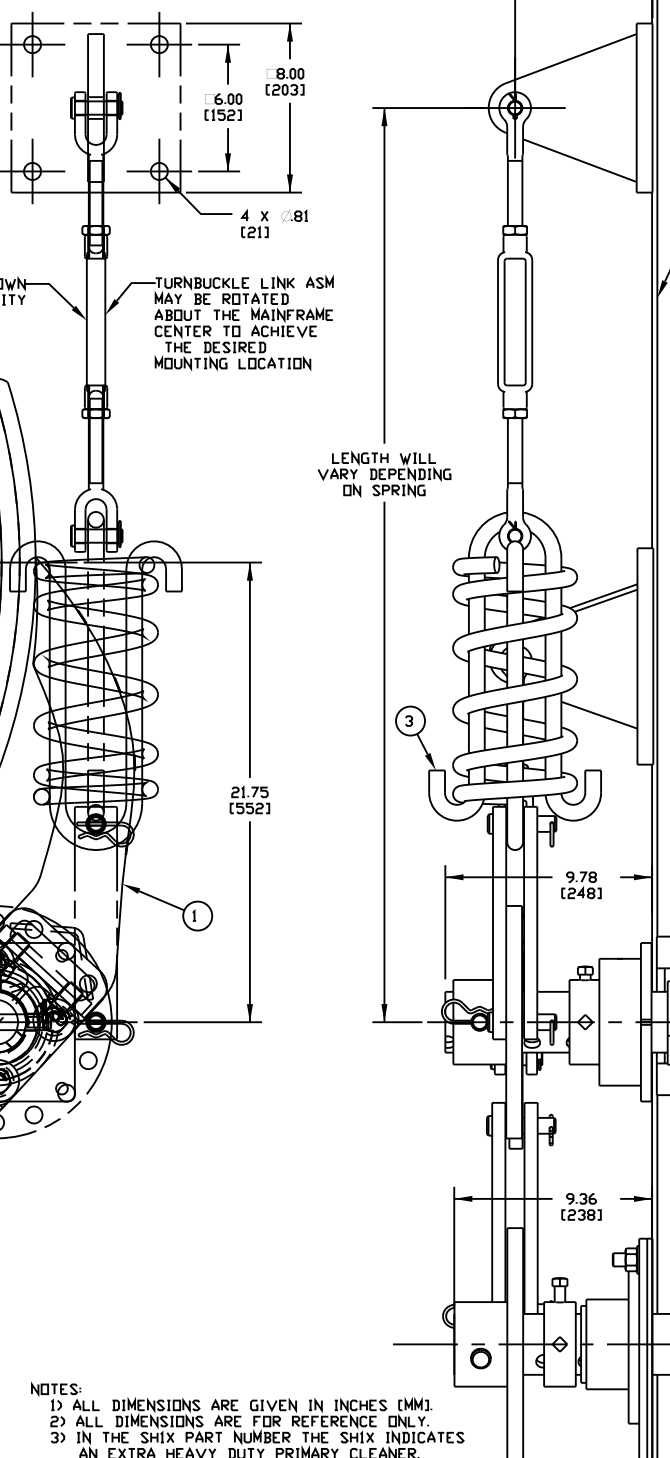
ITEM	QTY.	DESCRIPTION	PART NUMBER
1	1	SHIX PRIMARY CLEANER ASM	SHIX-XXXXXXXXXX
2	1	ZHD SECONDARY CLEANER ASM	36328-XX
3	1	SINGLE SPRING LINK TENSIONER ASM	35978-SXXXMX
4	1	MANDREL MOUNT LINK TENSIONER ASM	36535-XX

ASSEMBLY PART NUMBER	DIM "A" BLADE LENGTH	DIM "B" MNFRM LENGTH
SHIX-42X39XXXXX	39.38 [1000]	44.81 [1138]
SHIX-48X43XXXXX	43.31 [1100]	48.75 [1238]
SHIX-54X51XXXXX	51.19 [1300]	56.63 [1438]
SHIX-60X59XXXXX	59.06 [1500]	64.50 [1638]
SHIX-72X71XXXXX	70.88 [1800]	76.31 [1938]
SHIX-84X79XXXXX	78.75 [2000]	84.19 [2138]
SHIX-96X83XXXXX	82.69 [2100]	88.13 [2239]
SHIX-A8X71XXXXX	70.88 [1800]	103.88 [2639]
SHIX-A8X98XXXXX	98.44 [2500]	103.88 [2639]
SHIX-C0XA2XXXXX	102.38 [2600]	107.81 [2738]

PART NO.	DIM "C" BLADE WIDTH
36328-24	17.88 [454]
36328-30	26.88 [683]
36328-36	26.88 [683]
36328-42	35.88 [911]
36328-48	44.88 [1140]
36328-54	44.88 [1140]
36328-60	53.88 [1369]
36328-72	62.88 [1597]
36328-84	80.88 [2054]
36328-96	89.88 [2283]



- NOTES:
- 1) ALL DIMENSIONS ARE GIVEN IN INCHES (MM).
  - 2) ALL DIMENSIONS ARE FOR REFERENCE ONLY.
  - 3) IN THE SHIX PART NUMBER THE SHIX INDICATES AN EXTRA HEAVY DUTY PRIMARY CLEANER. THE NEXT TWO XX'S INDICATE THE BELT WIDTH. THE NEXT X INDICATES BLADE TYPE  
 U = URETHANE  
 C = URETHANE W/CERAMIC BEADS  
 THE NEXT TWO XX'S INDICATE THE BLADE WIDTH. THE NEXT X INDICATES THE BLADE PROFILE  
 1 = SHD-1200  
 6 = SHD-600  
 THE NEXT X INDICATES THE URETHANE TYPE  
 B = BROWN  
 G = GREEN  
 D = DRANGE  
 Y = CERAMIC/YELLOW  
 THE NEXT X INDICATES THE MAINFRAME OPTIONS  
 P = PAINTED DRANGE MAINFRAME  
 C = CORROSION RESISTANT MAINFRAME  
 THE NEXT X INDICATES THE END WELDMENT LENGTHS (INCHES)  
 2 = 20  
 3 = 30  
 4 = 40  
 THE NEXT X INDICATES THE TENSIONER AND ACCESSORY OPTIONS  
 L = WITH PAINTED LINK TENSIONER  
 C = WITH CORROSION RESISTANT LINK TENSIONER



- NOTES:
- 4) WHERE EXTREME OR UNUSUAL CONDITIONS EXIST, OR SPECIAL MAINFRAME LENGTHS ARE REQUIRED, CONTACT MARTIN.
  - 5) THE SHIX PRECLEANER BLADES ARE DESIGNED TO REMOVE HEAVY CARRYBACK ONLY. DO NOT DIVERTENSION.
  - 6) BLADE COVERAGE WILL BE LESS THAN BELT WIDTH DUE TO POSSIBLE MISTRACKING OR DAMAGED EDGES OF BELT.
  - 7) REQUIRED EFFECTIVE HEAD PULLEY DIAMETERS (HEAD PULLEY + LAGGING + BELT THICKNESS) ARE 47.24 [1200] MINIMUM THRU 70.87 [1800] MAXIMUM FOR THE SHIX-1200.
  - 8) FRAME LENGTH IS SUPPLIED LONGER THAN REQUIRED, CUT IN FIELD TO DESIRED LENGTH.
  - 9) TENSIONER ASSEMBLY MAY BE BOLTED OR WELDED IN PLACE. MARTIN ENGINEERING RECOMMENDS BOLTING WHEN APPLICABLE FOR EASIER MAINTENANCE AND ACCESSIBILITY.
  - 10) REFER TO OPERATOR'S MANUAL'S FOR INSTALLATION AND TENSIONING INSTRUCTIONS.
  - 11) CLEANERS ARE SHOWN IN RECOMMENDED POSITIONS.

NO.	DESCRIPTION	ECN	DATE	BY
	REVISION			

Copyright 2014 Martin Engineering. All rights reserved. Covered by US and foreign patents pending and issued. ® and TM indicate trademarks of Martin Engineering.

MARTIN ENGINEERING-USA  
NEPONSET, IL USA

TITLE: SHIX PRIMARY CLEANER AND ZHD SECONDARY ASM SPR LINK/MANDREL TENS

SALES DRAWING

NO. 000823

S50089

SCALE 7/32

DRAWN JAP DATE 03/28/11  
CHECKED  
ENG. RND DATE 03/29/11  
APPROVED DM DATE 03/29/11