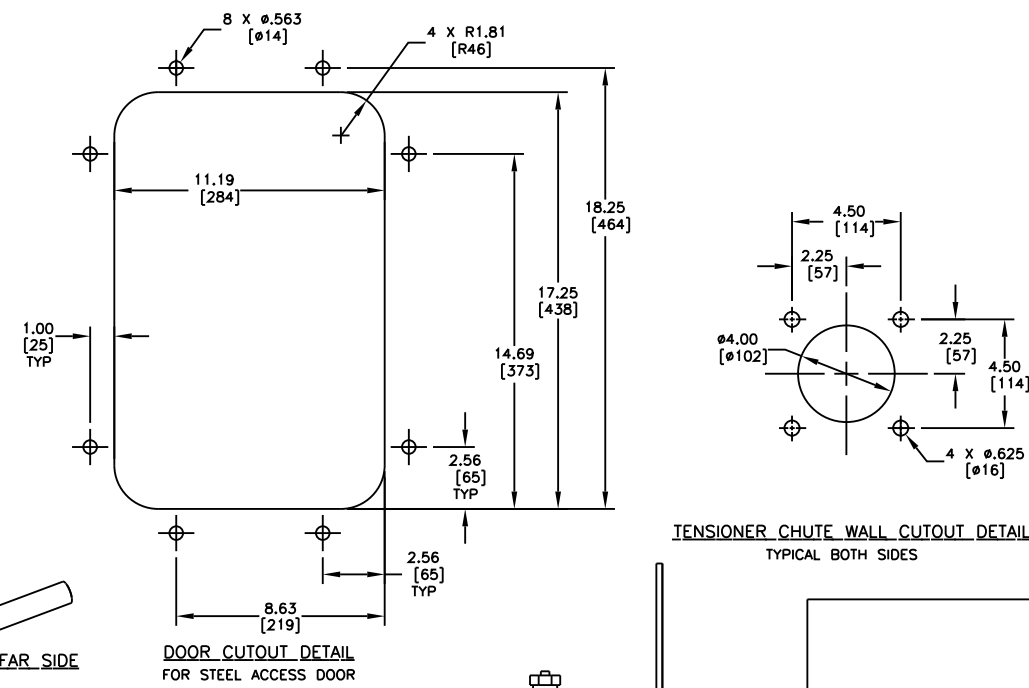
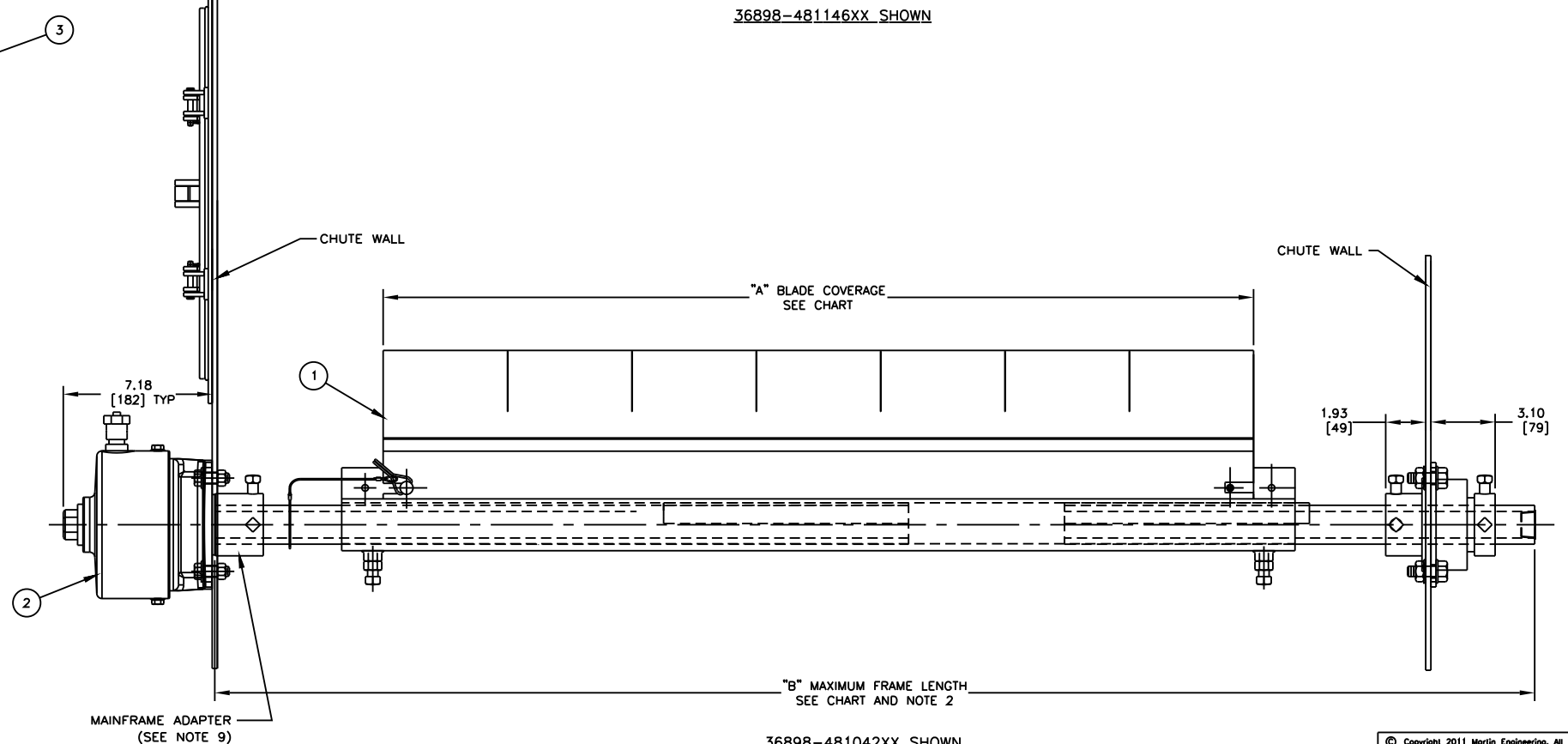
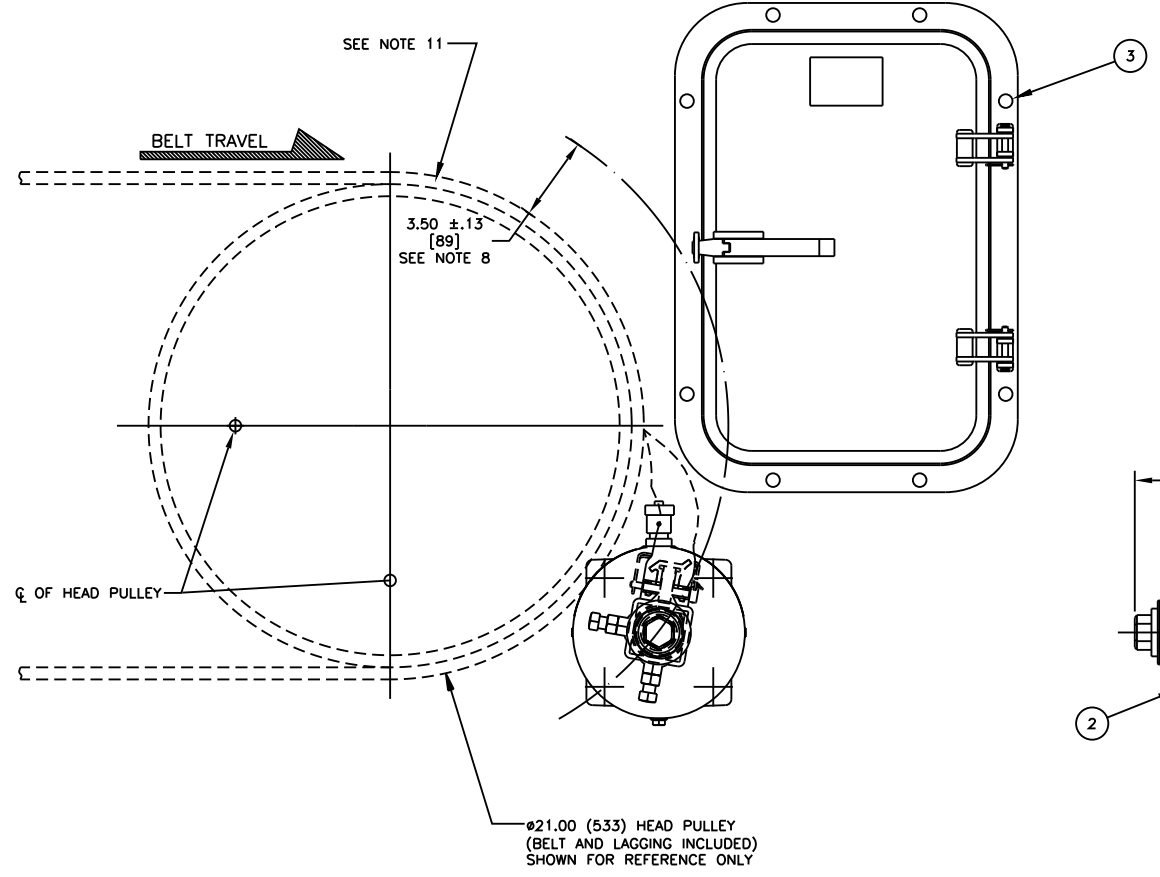
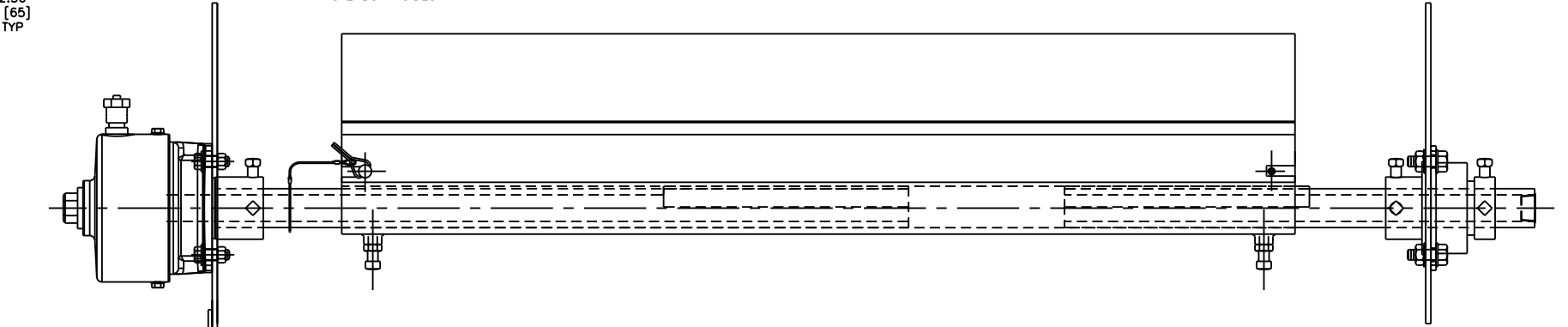
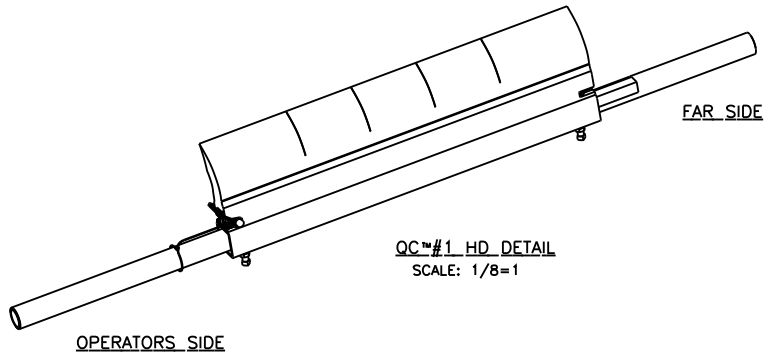
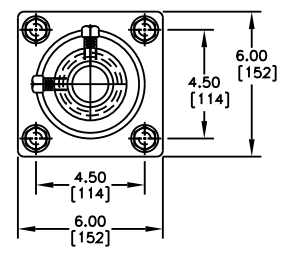


| PART NUMBER   | BELT WIDTH        | DIMENSION "A"<br>BLADE COVERAGE | DIMENSION "B"<br>FRAME LENGTH |
|---------------|-------------------|---------------------------------|-------------------------------|
| 36898-18X12XX | 18.00 [400-500]   | 12.00 [305]                     | 44.00 [1119]                  |
| 36898-18X16XX | 18.00 [400-500]   | 16.00 [406]                     | 44.00 [1119]                  |
| 36898-24X18XX | 24.00 [500-650]   | 18.00 [457]                     | 50.00 [1270]                  |
| 36898-24X22XX | 24.00 [500-650]   | 22.00 [559]                     | 50.00 [1270]                  |
| 36898-30X24XX | 30.00 [650-800]   | 24.00 [610]                     | 62.00 [1575]                  |
| 36898-30X28XX | 30.00 [650-800]   | 28.00 [711]                     | 62.00 [1575]                  |
| 36898-36X30XX | 36.00 [800-1000]  | 30.00 [762]                     | 68.00 [1727]                  |
| 36898-36X34XX | 36.00 [800-1000]  | 34.00 [864]                     | 68.00 [1727]                  |
| 36898-42X36XX | 42.00 [1000-1200] | 36.00 [914]                     | 74.00 [1880]                  |
| 36898-42X40XX | 42.00 [1000-1200] | 40.00 [1016]                    | 74.00 [1880]                  |
| 36898-48X42XX | 48.00 [1200-1400] | 42.00 [1067]                    | 80.00 [2032]                  |
| 36898-48X46XX | 48.00 [1200-1400] | 46.00 [1168]                    | 80.00 [2032]                  |



- NOTES:
- 1) ALL DIMENSIONS ARE GIVEN IN INCHES (MM) AND ARE FOR REFERENCE ONLY.
  - 2) FRAME IS ADJUSTABLE TO DESIRED LENGTH.
  - 3) FIRST XX INDICATES BELT WIDTH. THIRD X INDICATES BLADE WITHOUT SLITS. FOURTH X INDICATES BLADE WITHOUT SEGMENTS. THE NEXT TWO XX'S INDICATE BLADE WIDTH. THE REMAINING X'S INDICATE BLADE COLOR. EX: 36898-421036 = 42" BELT WITH 36" ORANGE BLADE W/O SLITS WITH SEGMENTS. 36898-421040GR = 42" BELT WITH 40" GREEN BLADE W/O SLITS WITH SEGMENTS. 36898-421136BR = 42" BELT WITH 36" BROWN BLADE W/O SLITS W/O SEGMENTS. 36898-421140 = 42" BELT WITH 40" ORANGE BLADE W/O SLITS OR SEGMENTS.
  - 4) FOR BELT WIDTHS 54.00 (1372) AND OVER, MARTIN® ENGINEERING RECOMMENDS USING A DUAL TWIST TENSIONER ASSEMBLY (P/N 38850-2). SEE S50090-D.
  - 5) WHERE EXTREME OR UNUSUAL CONDITIONS EXIST, OR SPECIAL MAINFRAME LENGTHS ARE REQUIRED, CONSULT MARTIN® ENGINEERING FOR ASSISTANCE.
  - 6) TWIST TENSIONER ASSEMBLY MAY BE BOLTED OR WELDED IN PLACE. MARTIN® ENGINEERING RECOMMENDS BOLTING WHEN APPLICABLE FOR EASIER MAINTENANCE AND ACCESSIBILITY. IF WELDING IS REQUIRED USE TWIST TENSIONER ASSEMBLY P/N 38850-A.
  - 7) REFER TO OPERATOR'S MANUALS (M3296 AND M3618) FOR INSTALLATION INSTRUCTIONS.
  - 8) MARTIN® ENGINEERING RECOMMENDS THE CLEANER BE LOCATED SO THAT THE BLADE TIP IS AT OR SLIGHTLY BELOW HORIZONTAL CENTERLINE OF HEAD PULLEY. CLEANER IS SHOWN BELOW IN RECOMMENDED WORKING POSITION.
  - 9) FOR SEVERE APPLICATIONS WELD MAINFRAME ADAPTER DIRECTLY TO MAINFRAME.
  - 10) THE QC™#1 HD PRE-CLEANER BLADE IS DESIGNED TO REMOVE INITIAL CARRYBACK ONLY. DO NOT OVER TENSION!
  - 11) THE QC™#1 HD PRE-CLEANER BLADE IS DESIGNED FOR HEAD PULLEYS WITH A MINIMUM EFFECTIVE DIAMETER OF 12.00 (305).



© Copyright 2011 Martin Engineering. All rights reserved. Covered by U.S. and foreign patents pending and issued. ® and TM indicate trademarks of Martin Engineering.

**MARTIN ENGINEERING**  
NEPONSET ILLINOIS USA

|               |   |  |
|---------------|---|--|
| TITLE         | MARTIN® QC™#1 HD ASM<br>MARTIN® TWIST™ TENSIONER<br>12X18 STEEL ACCESS DOOR | DRAWN JAH<br>DATE 04/05/11                   |
| NO.           | REVISION  | CHECKED<br>ENG. [Signature]<br>DATE 04/06/11 |
| SALES DRAWING | S50090-S-1218   | APPROVED [Signature]<br>DATE 04/06/11        |
| MD0825        |   | SCALE 1/4=1                                  |

| NO. | DESCRIPTION | ECN | DATE | BY |
|-----|-------------|-----|------|----|
|     |             |     |      |    |