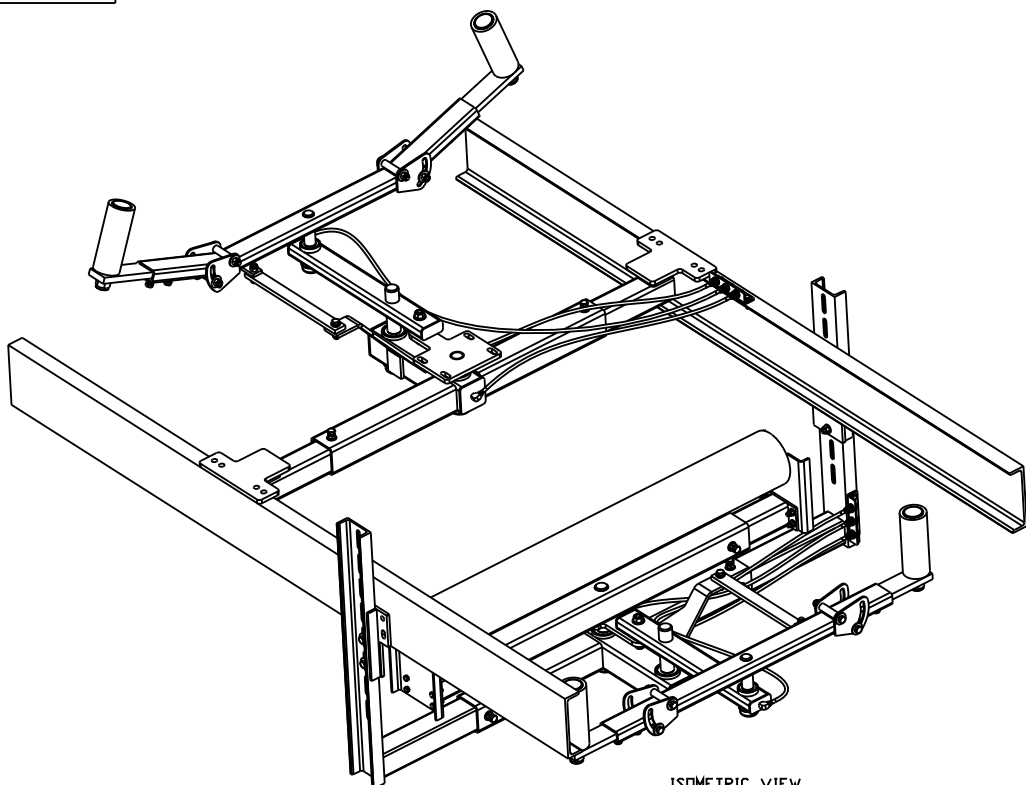
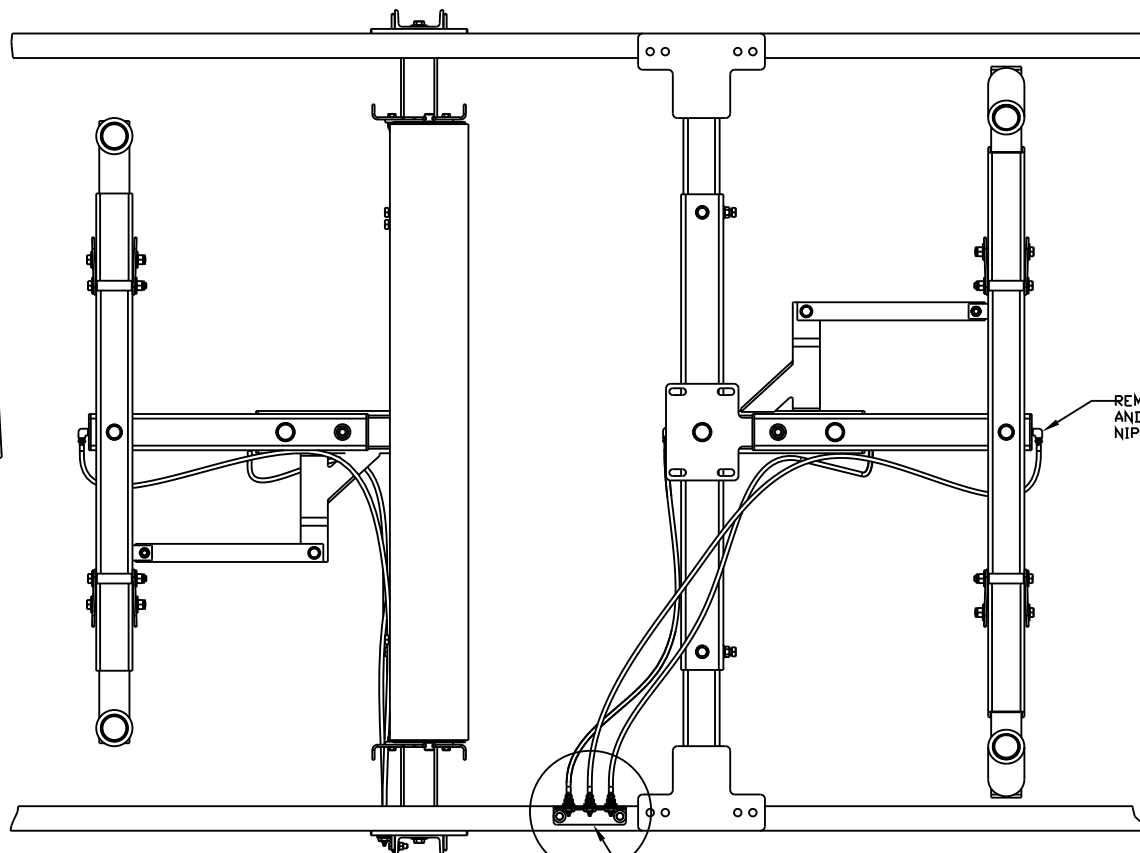


ITEM	QTY.	DESCRIPTION	PART NUMBER
1	1	TRACKER LOWER UNIT ASSEMBLY	TKR-XXLXXX
2	1	TRACKER UPPER UNIT ASSEMBLY	TKR-XXUXXX
3	1	TRACKER GREASE KIT	SEE CHART

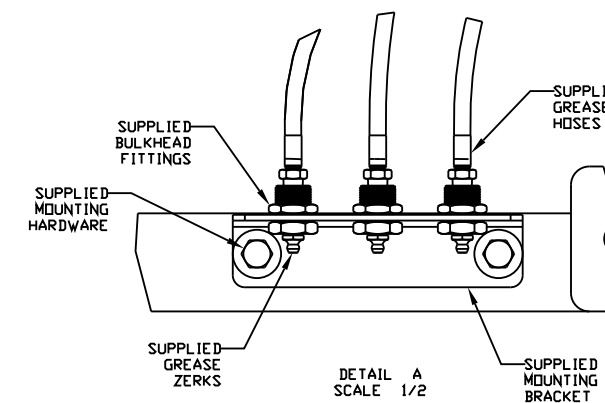
BELT WIDTH	P/N ITEM 3
18 [457] TO 48 [1219]	38550-1
54 [1372] TO 72 [1829]	38550-2



ISOMETRIC VIEW  
SCALE 3/32



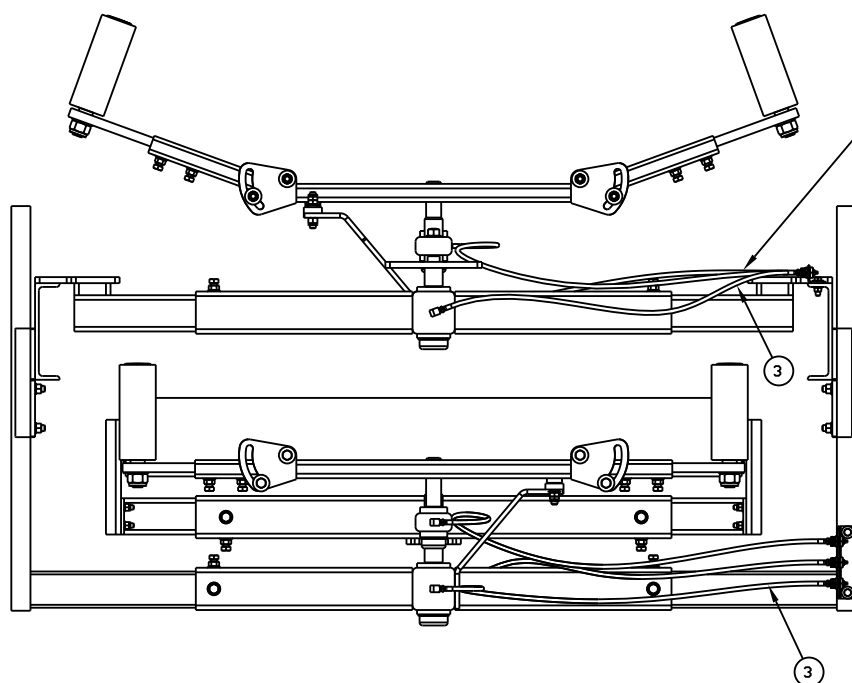
REMOVE THE EXISTING GREASE ZERKS AND REPLACE WITH THE SUPPLIED NIPPLE AND ELBOW. (TYPICAL 3 PLACES)



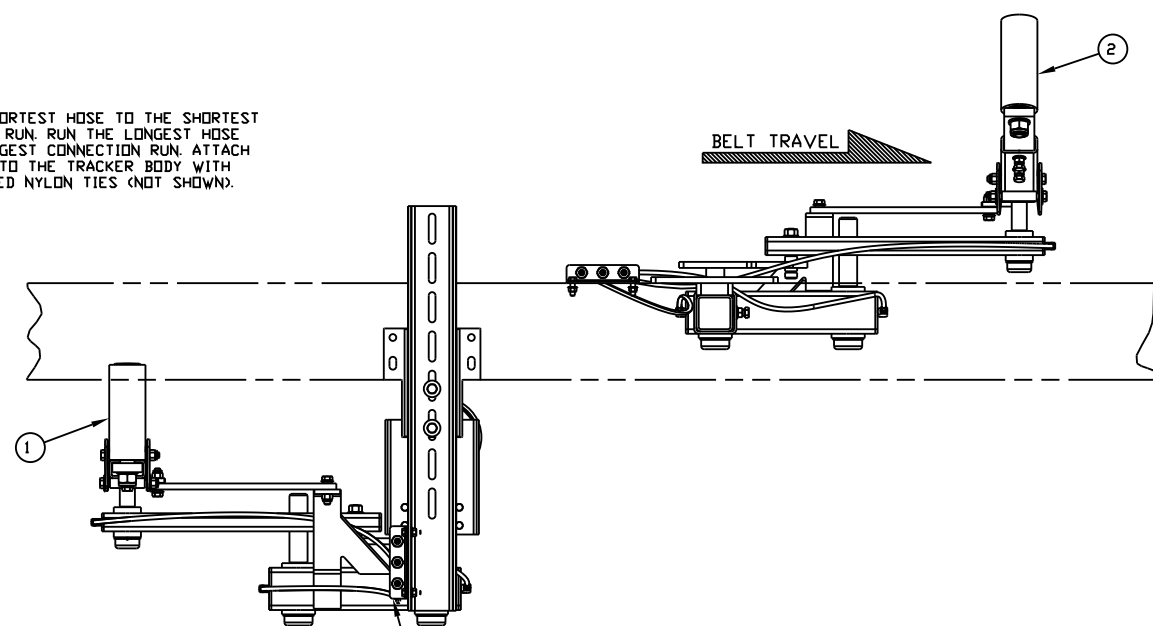
DETAIL A  
SCALE 1/2

SEE DETAIL A

LOCATE AND DRILL HOLES AT A POINT WITH EASY ACCESS TO THE GREASE PORTS. DRILL HOLES FOR 3/8" HARDWARE AT ASSEMBLY USING THE MOUNTING BRACKET AS A TEMPLATE. ATTACH THE MOUNTING BRACKET TO THE STRUCTURE WITH THE SUPPLIED HARDWARE.

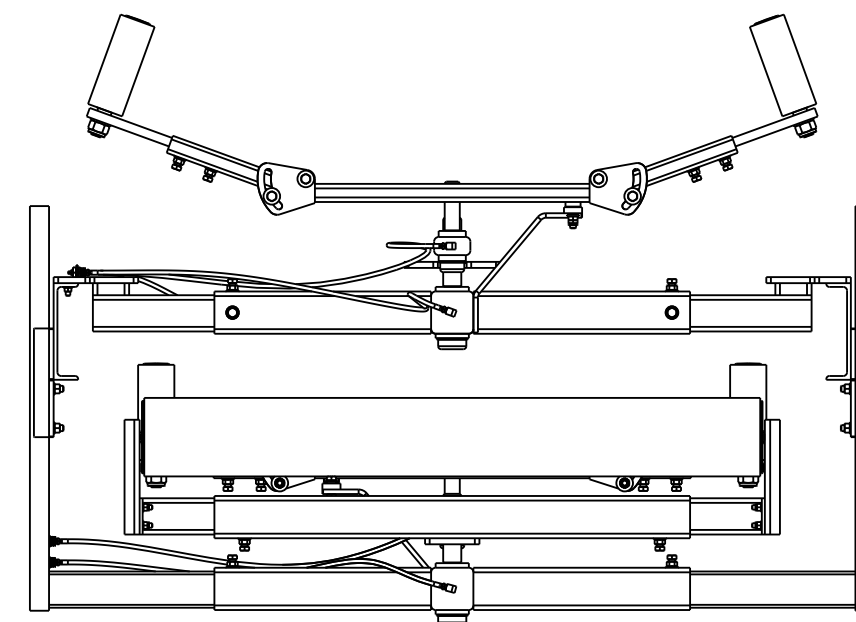


RUN THE SHORTEST HOSE TO THE SHORTEST CONNECTION RUN. RUN THE LONGEST HOSE TO THE LONGEST CONNECTION RUN. ATTACH THE HOSES TO THE TRACKER BODY WITH THE SUPPLIED NYLON TIES (NOT SHOWN).



BELT TRAVEL

LOCATE AND DRILL HOLES AT A POINT WITH EASY ACCESS TO THE GREASE PORTS. DRILL HOLES FOR 3/8" HARDWARE AT ASSEMBLY USING THE MOUNTING BRACKET AS A TEMPLATE. ATTACH THE MOUNTING BRACKET TO THE STRUCTURE WITH THE SUPPLIED HARDWARE.



- NOTES:  
1) ALL DIMENSIONS ARE GIVEN IN INCHES (MM).  
2) ALL DIMENSIONS ARE FOR REFERENCE ONLY.  
3) REFER TO OPERATORS MANUAL FOR GREASING INSTRUCTIONS.

©Copyright 2013 Martin Engineering. All rights reserved. Covered by U.S. and Foreign patents pending and issued. R and TM indicate trademarks of Martin Engineering.



TITLE	DATE	BY	CHKD	APP'D
UPPER AND LOWER TRACKER ASSEMBLY WITH GREASE KIT	03/27/13			
			CHECKED	
			ENG. WJB	
			DATE 03/27/13	
			APPROVED DM	
			DATE 03/27/13	
			SCALE 1/8	

NO.	DESCRIPTION	ECN	DATE	BY
	REVISION			

SALES DRAWING  
M00851 S50100